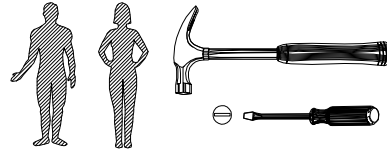
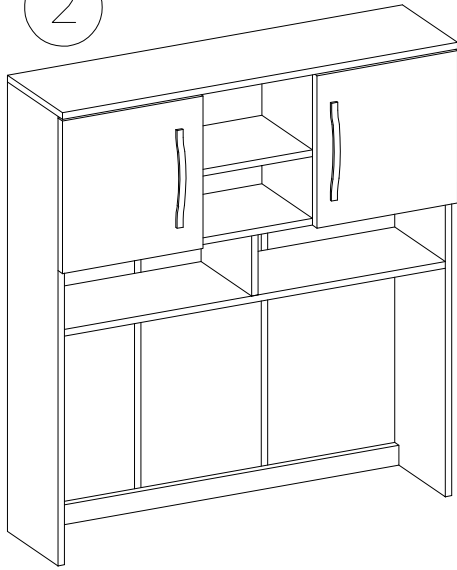
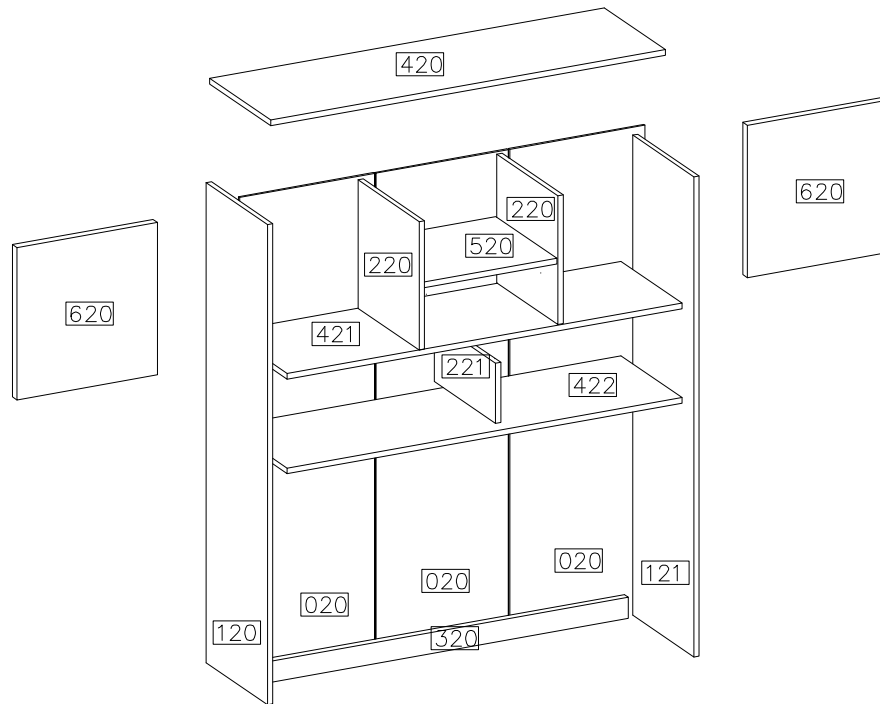
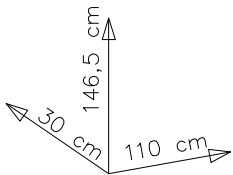
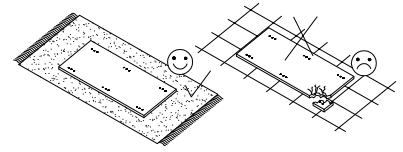
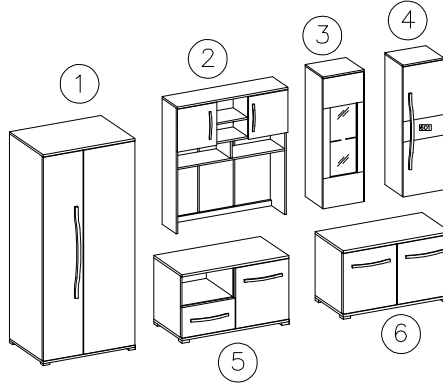




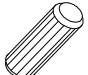





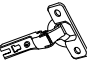
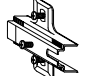
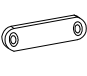


# MODENA NADSTAWKA RTV

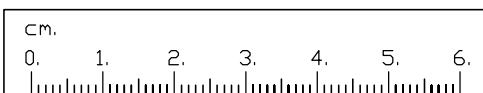
2



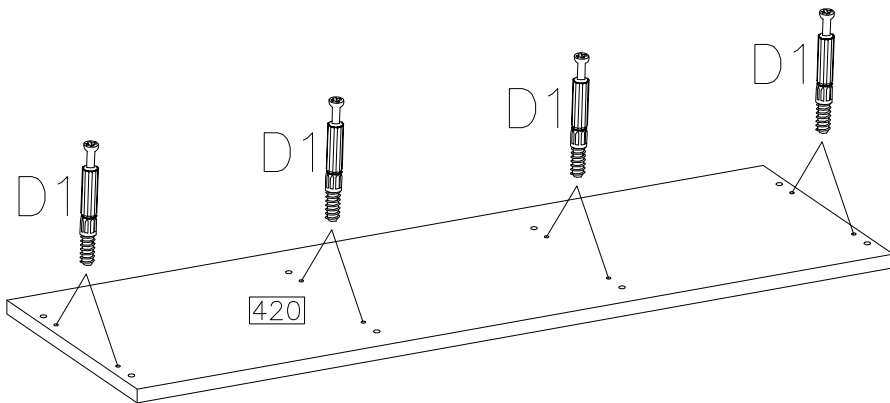
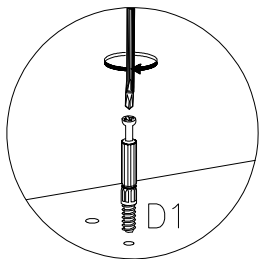
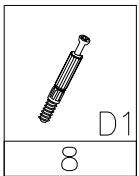
#	ART. NR	QUANTITY
1	420	1
2	421	1
3	422	1
4	120	1
5	121	1
6	220	2
7	221	1
8	520	1
9	620	2
10	020	3
11	320	1



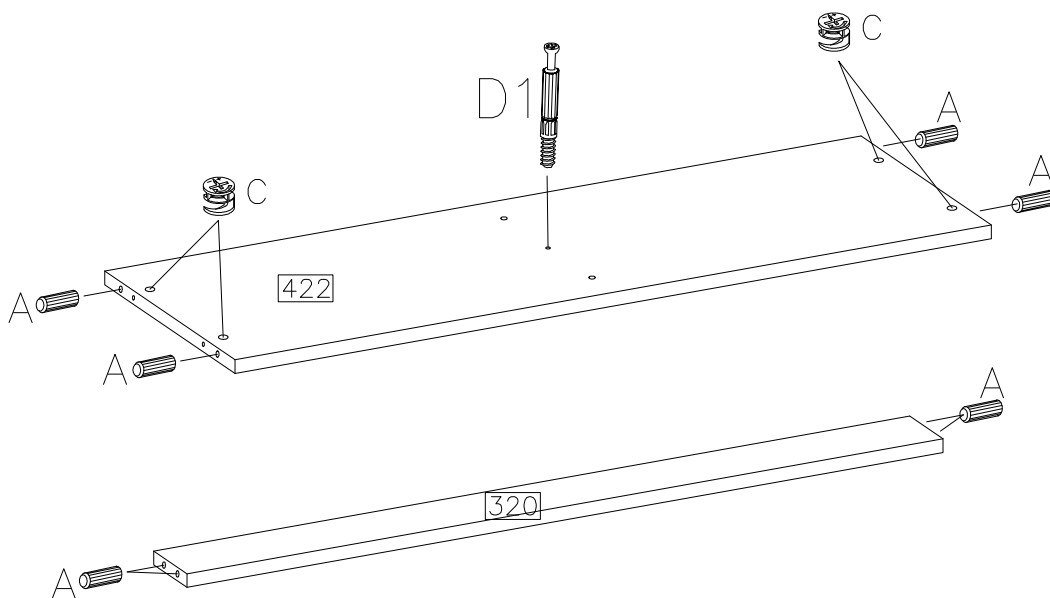
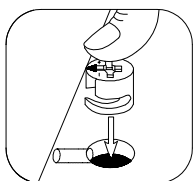
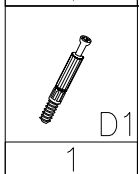
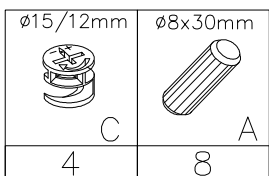
 D1	 C	 A	 E	 F10	 S2	 R2
22	22	32	22	50	2	4
 P1	 G6	 H4	 B2	 Z1	 J4	
18	4	4	2	2	4	



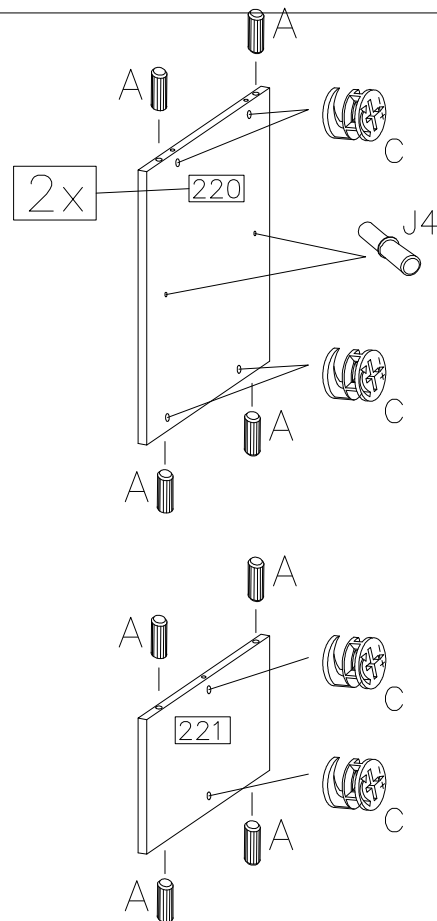
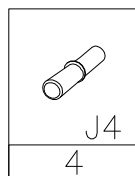
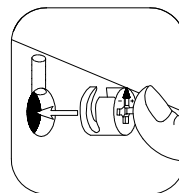
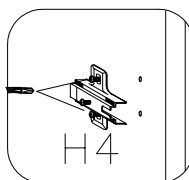
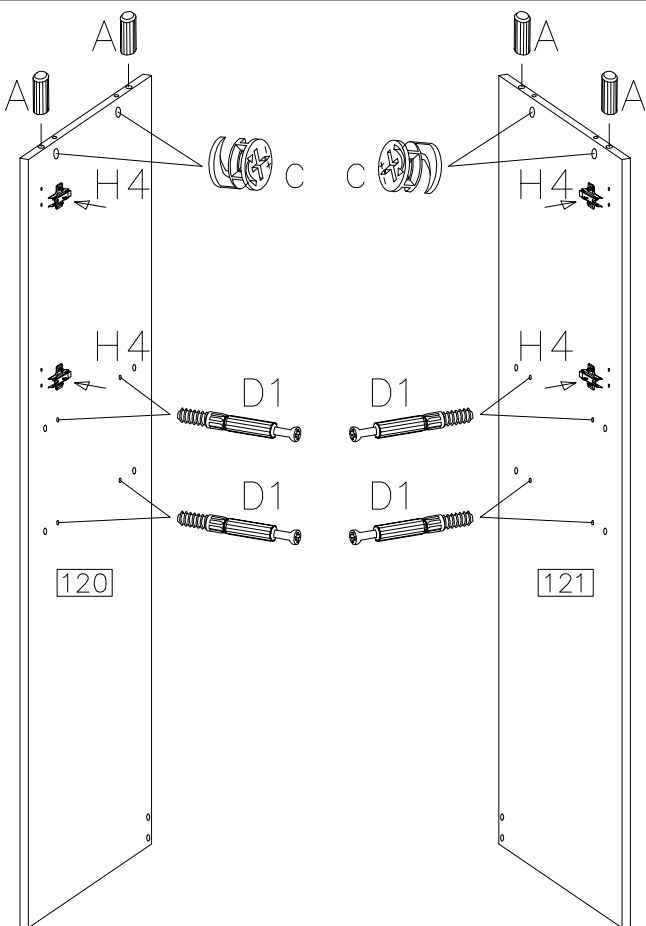
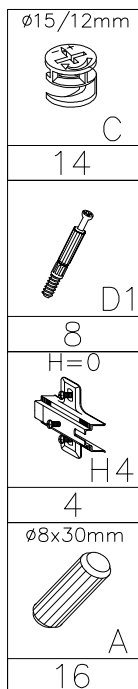
1





2




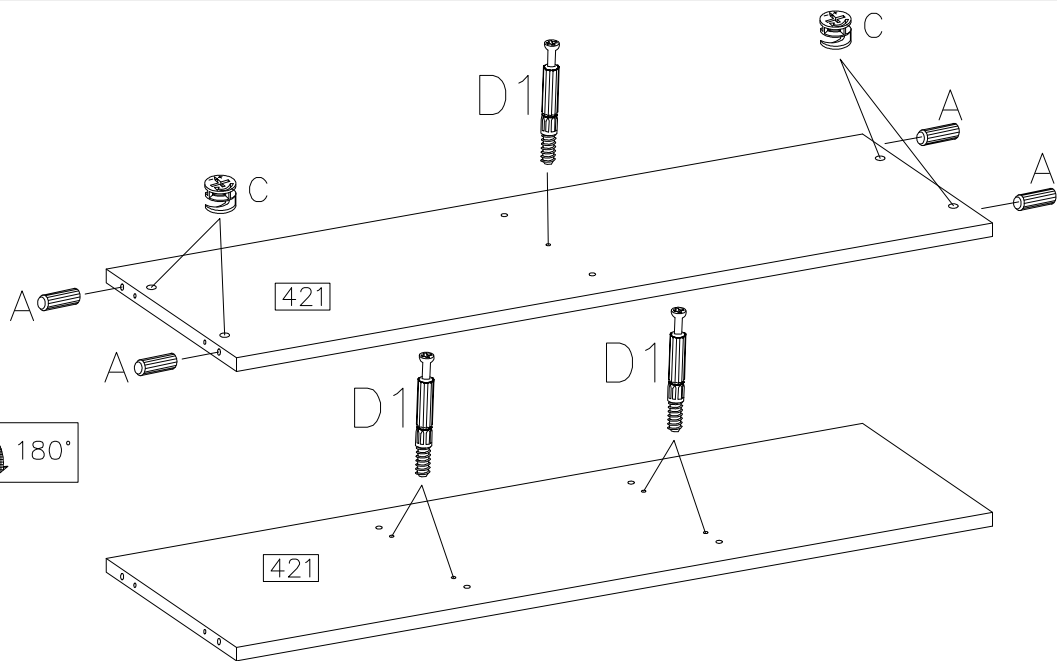
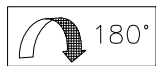
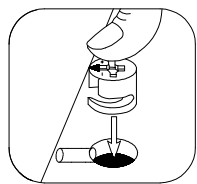
3





4

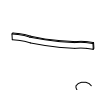

 ø15/12mm C 4	 ø8x30mm A 4
--	---

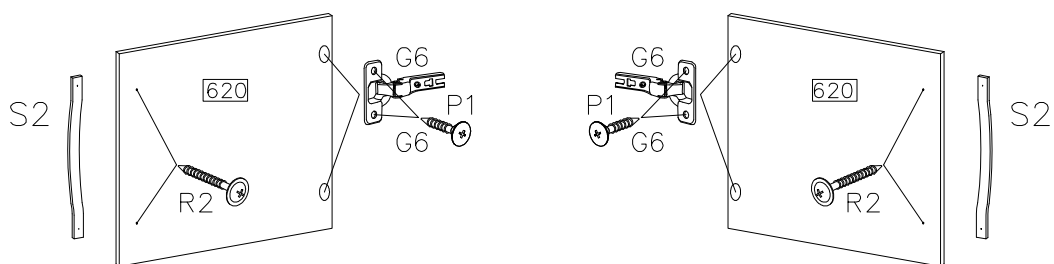
 D1 5
--



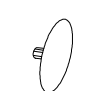
5

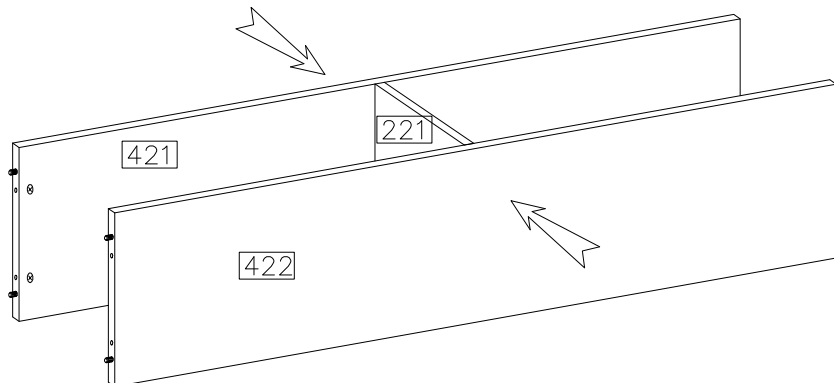
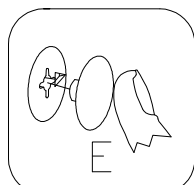
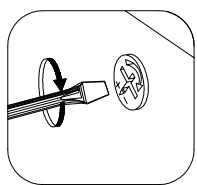
 ø35/KR-0 G6 4	 4.0x16mm P1 8
--	--

 S2 2	 4.0x27mm R2 4
--	--




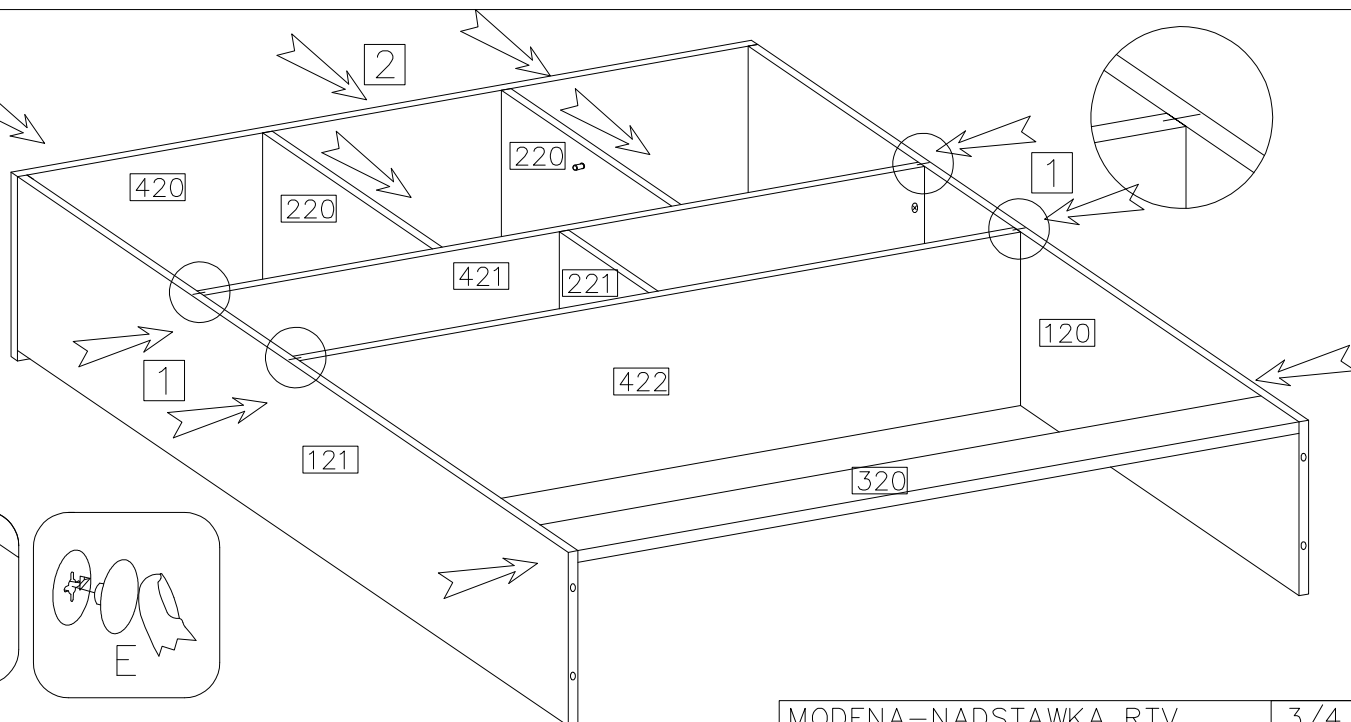
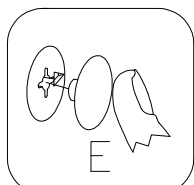
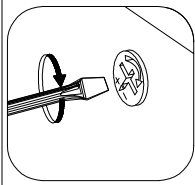
6

 E 2
---



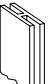


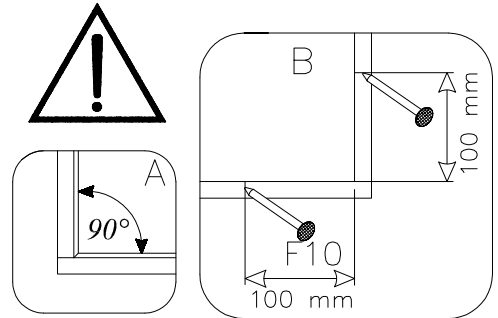
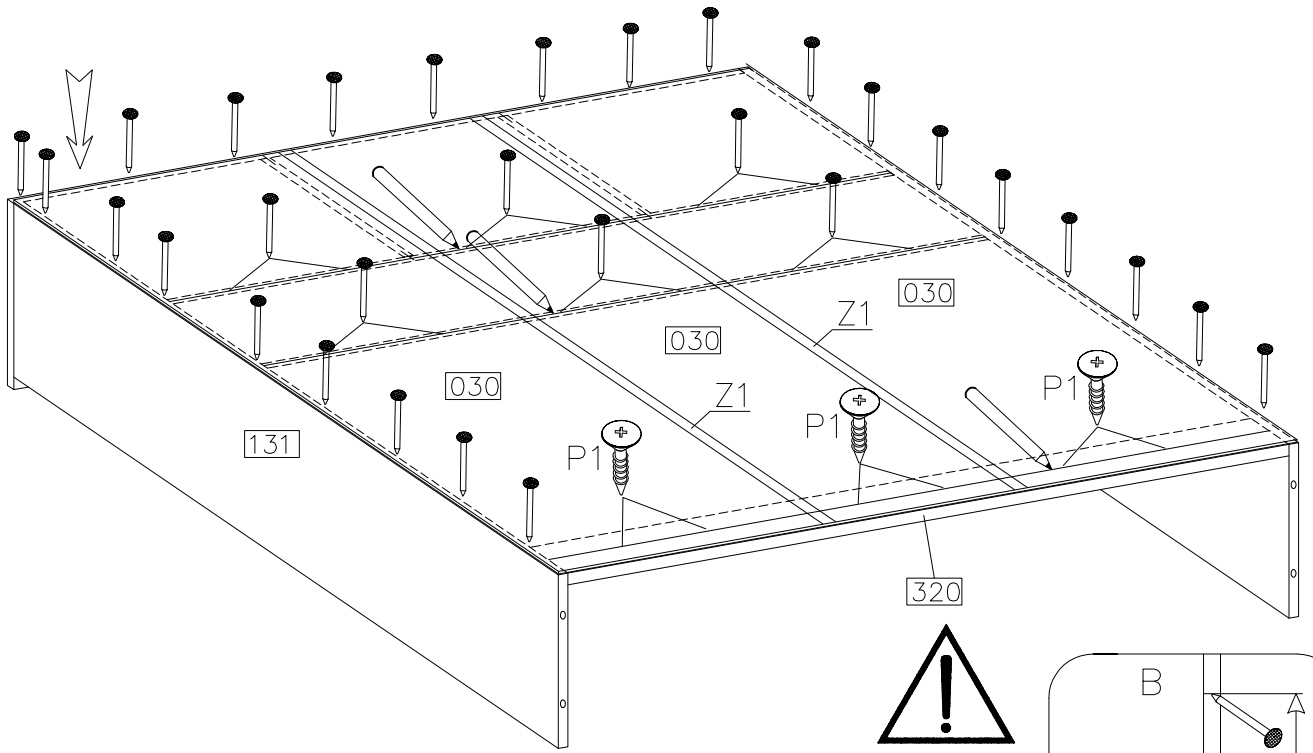
7

 E 20
---

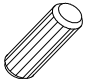

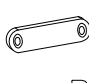


8

-  F10
- 50  
ø4.0x16mm
-  P1
- 6
-  Z1
- 2



9

- |  |  |   |
|--|--|---|
|  ø8x30mm<br>A |  4.0x16mm<br>P1 | <br>B2 |
| 4  | 4  | 2   |

