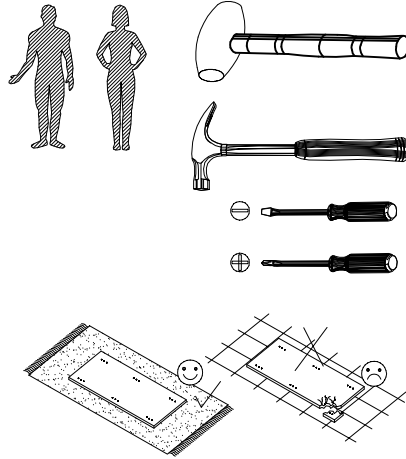
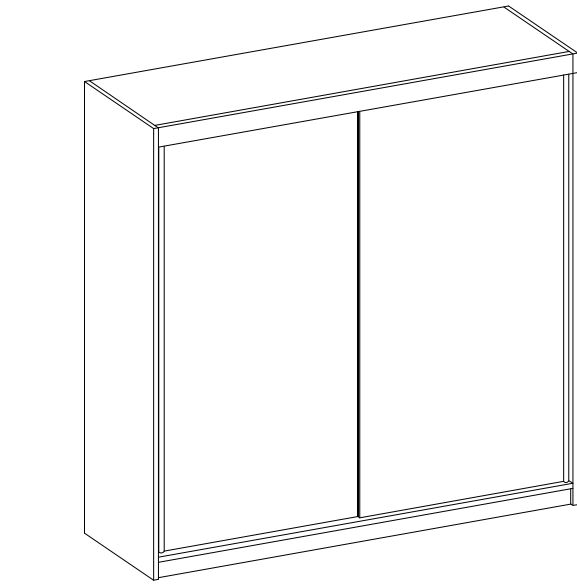
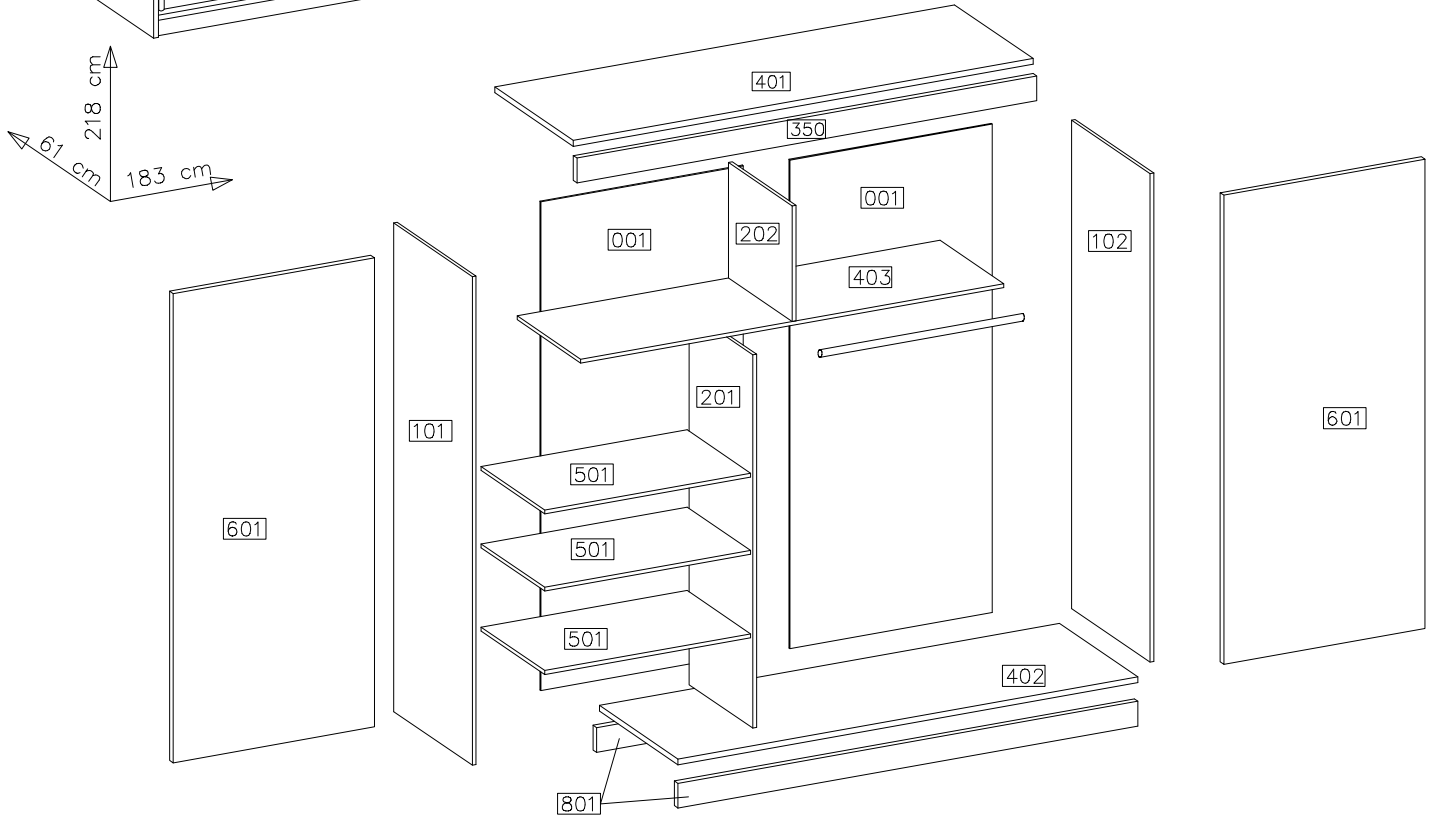


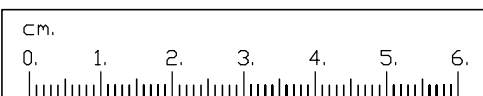
# MULTI-183



| #  | ART. NR | QUANTITY |
|----|---------|----------|
| 1  | 401     | 1        |
| 2  | 402     | 1        |
| 3  | 403     | 1        |
| 4  | 101     | 1        |
| 5  | 102     | 1        |
| 6  | 201     | 1        |
| 7  | 202     | 1        |
| 8  | 350     | 1        |
| 9  | 001     | 2        |
| 10 | 801     | 2        |
| 11 | 501     | 3        |
| 12 | 601     | 2        |
|    |         |          |
|    |         |          |
|    |         |          |
|    |         |          |
|    |         |          |
|    |         |          |
|    |         |          |

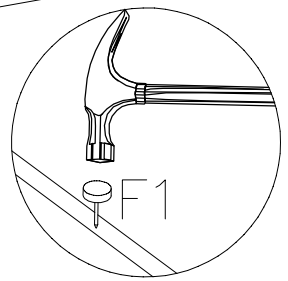
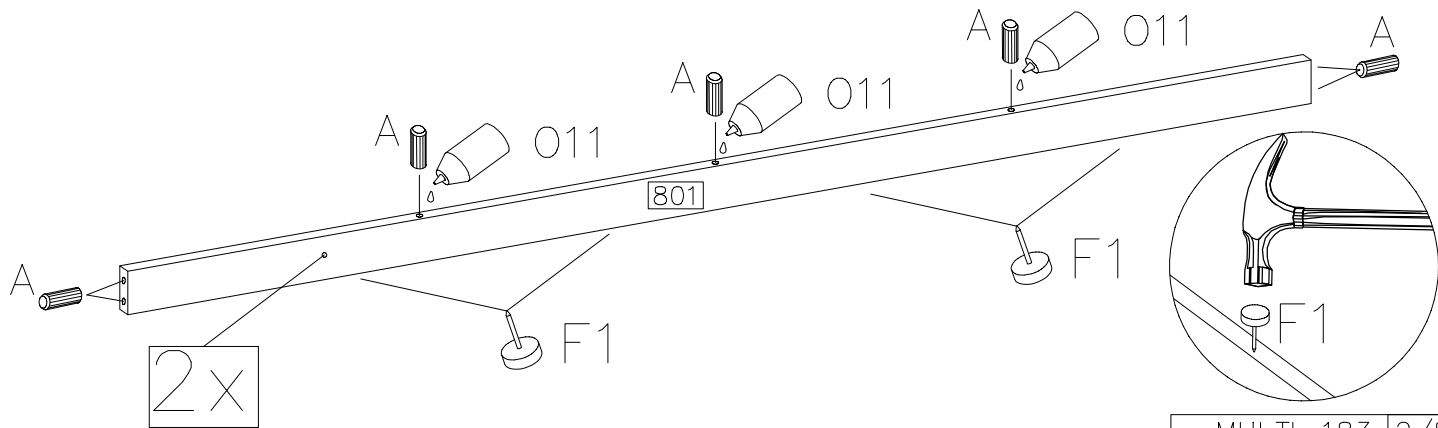
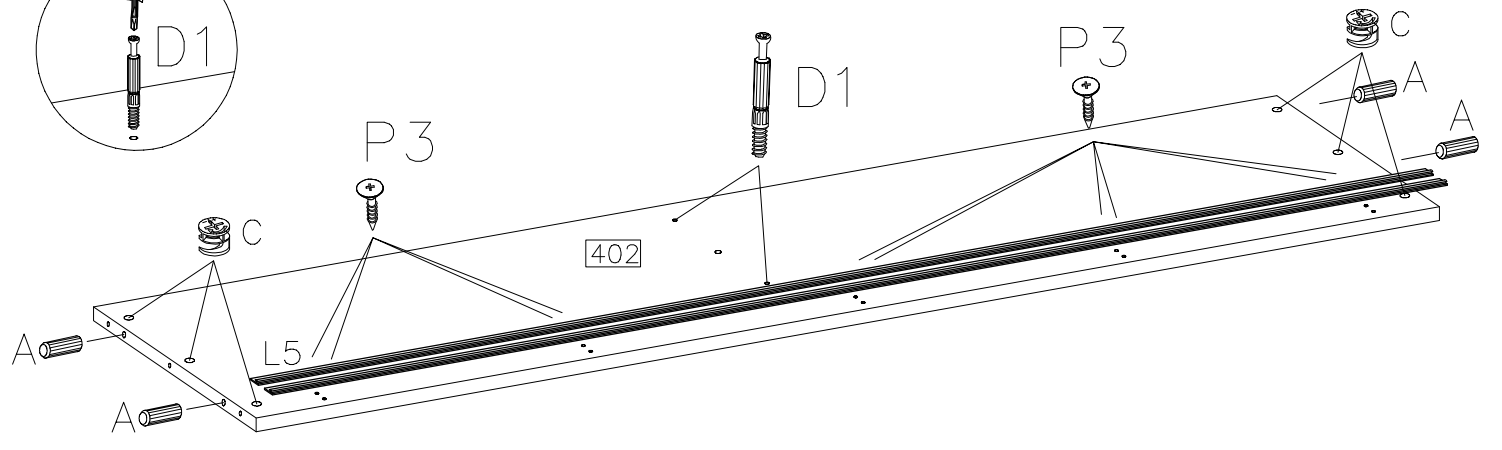
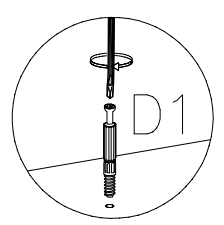
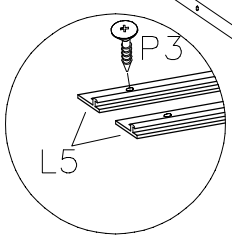
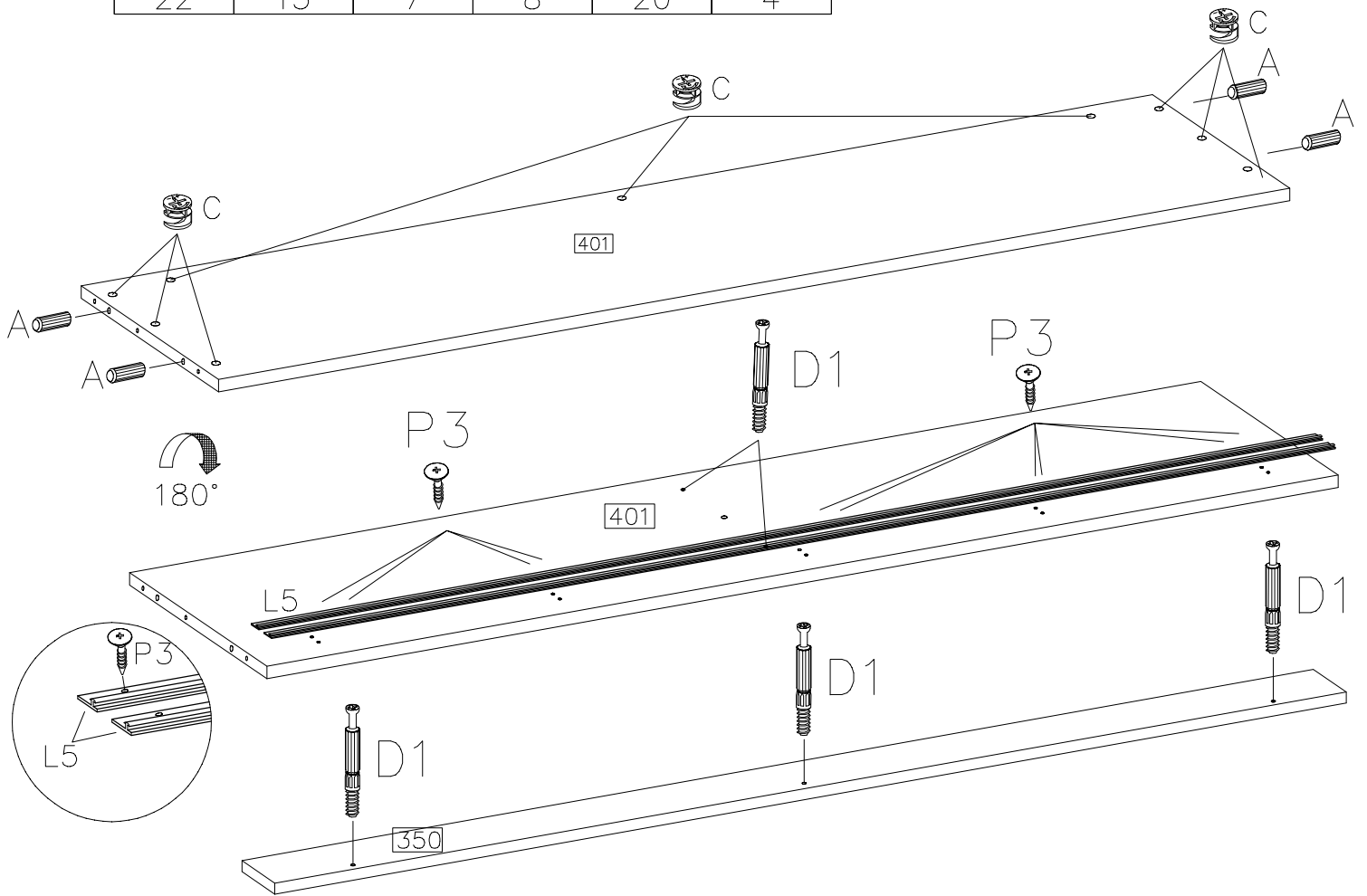


|     |          |     |         |           |          |     |    |    |    |
|-----|----------|-----|---------|-----------|----------|-----|----|----|----|
|     | ø15/12mm |     | ø8x30mm | ø4.0x16mm |          |     |    |    |    |
| D1  | C        | E   | A       | P1        | S1       | O12 | L5 | K5 | K6 |
| 27  | 27       | 27  | 28      | 28        | 4        | 1   | 4  | 4  | 4  |
|     |          |     |         | 3.0x13mm  | 3.5x13mm |     |    |    |    |
| F10 | F1       | O13 | J4      | P3        | P2       | O11 | F8 |    |    |
| 60  | 12       | 2   | 12      | 20        | 8        | 1   | 10 |    |    |

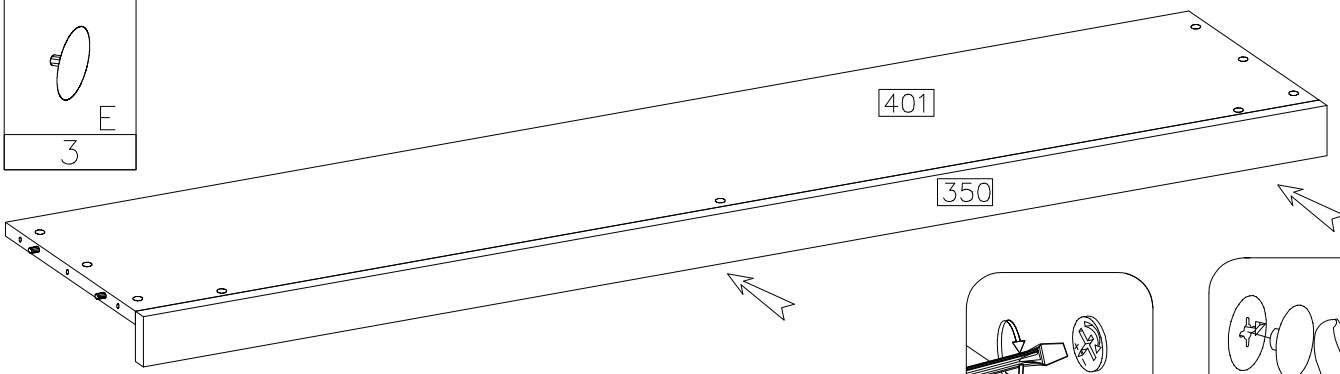
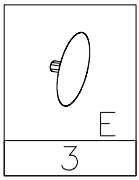


1

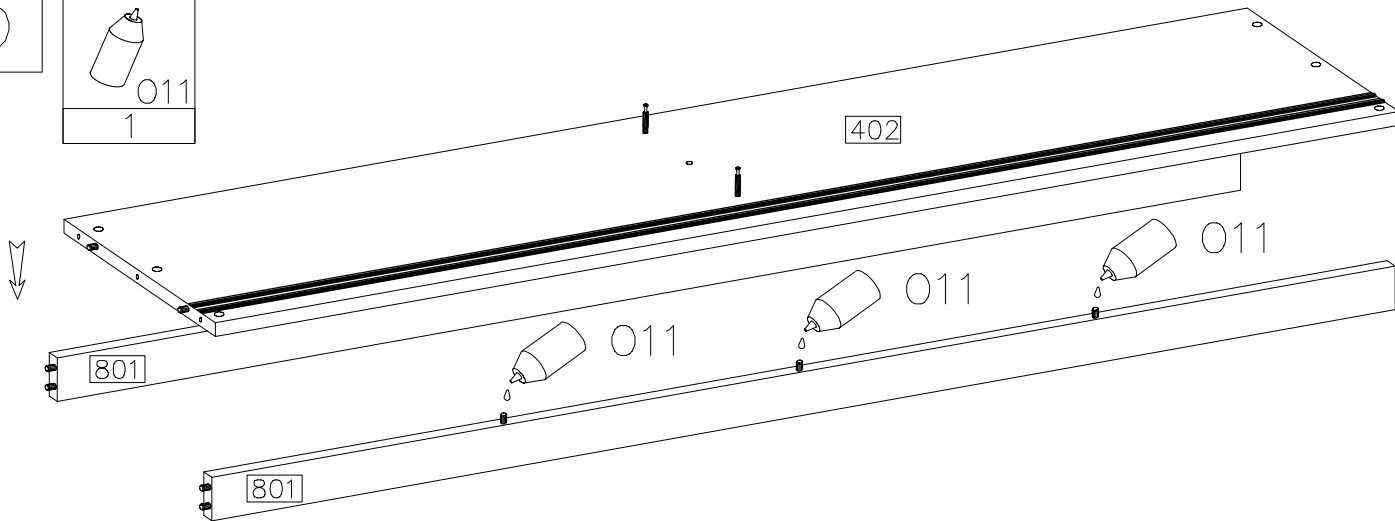
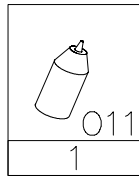
|         |          |    |    |    |    |
|---------|----------|----|----|----|----|
| ∅8x30mm | ∅15/12mm |    |    |    |    |
| A       | C        | D1 | F1 | P3 | L5 |
| 22      | 15       | 7  | 8  | 20 | 4  |



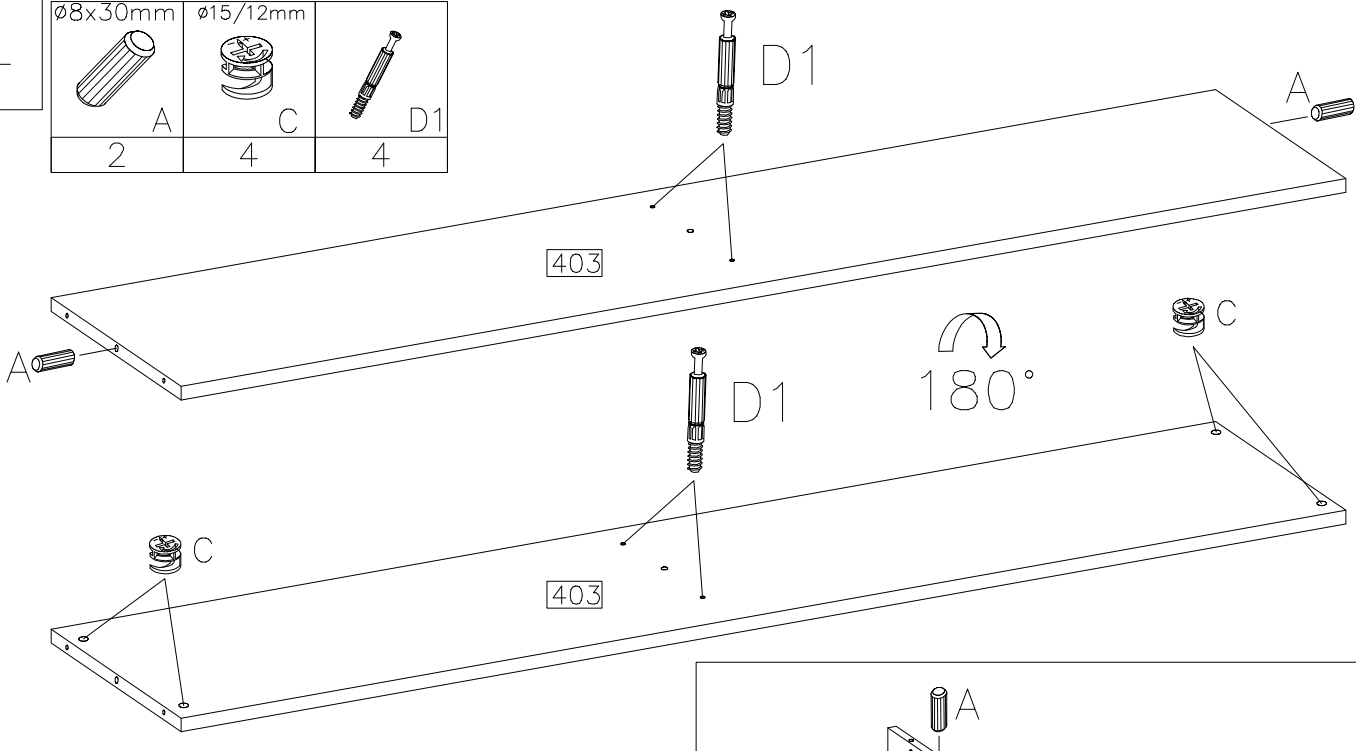
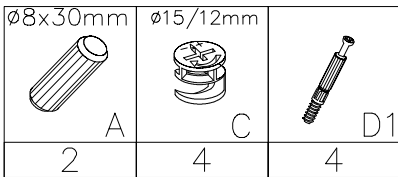
2



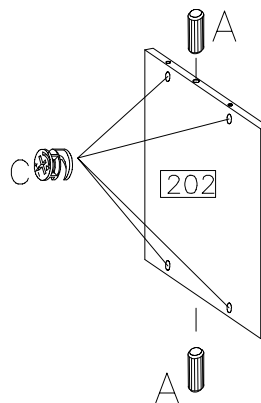
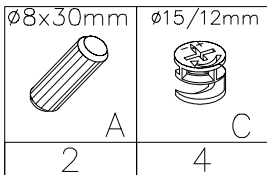
3



4

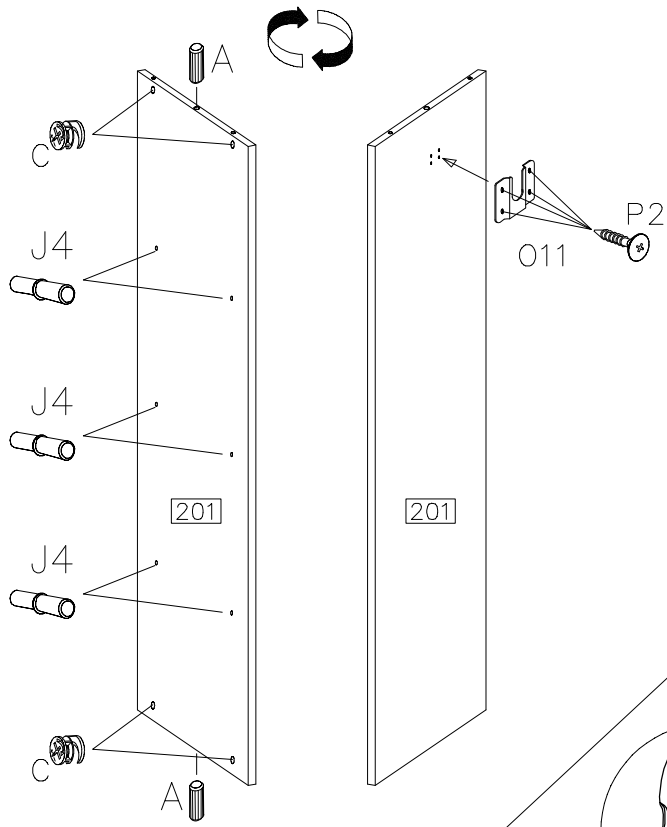


5



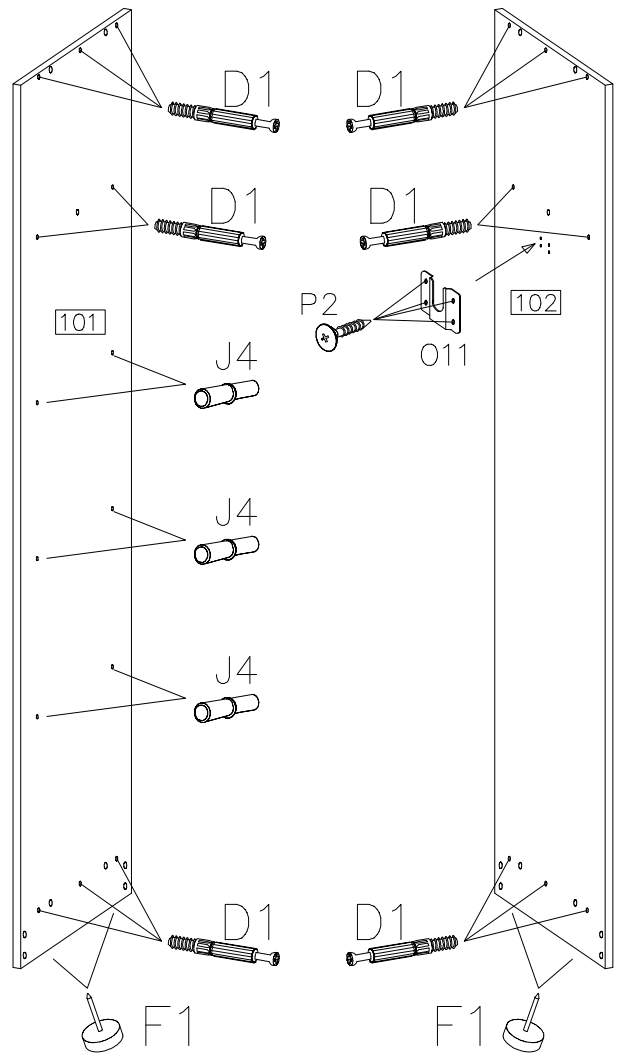
6

|                   |                    |         |          |                     |
|-------------------|--------------------|---------|----------|---------------------|
| ∅8x30mm<br>A<br>2 | ∅15/12mm<br>C<br>4 | J4<br>6 | O11<br>1 | 3.5x13mm<br>P2<br>4 |
|-------------------|--------------------|---------|----------|---------------------|



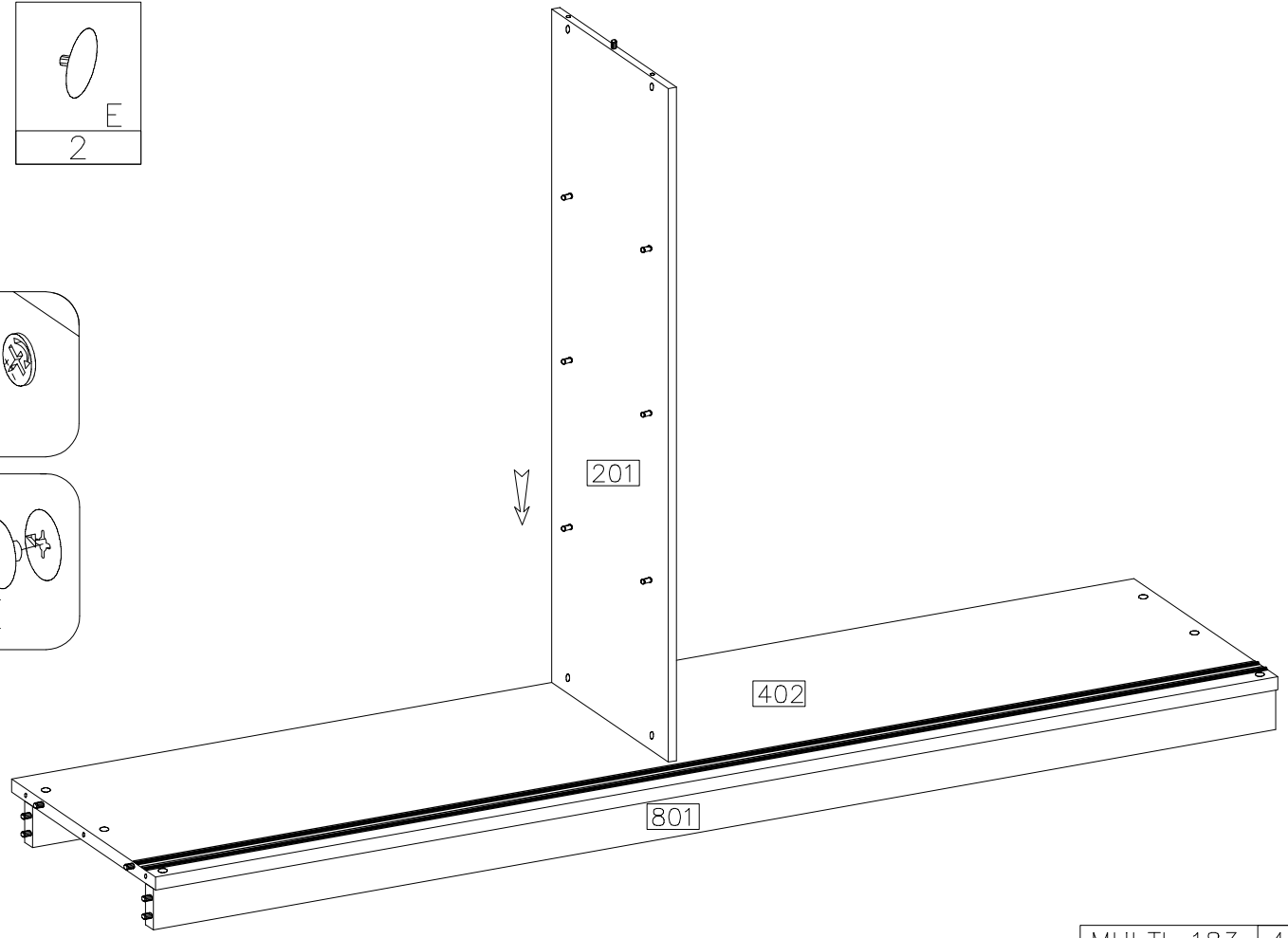
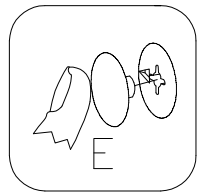
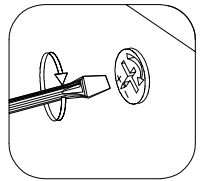
7

|         |          |                      |         |         |
|---------|----------|----------------------|---------|---------|
| J4<br>6 | O11<br>1 | D1<br>16<br>3.5x13mm | P2<br>4 | F1<br>4 |
|---------|----------|----------------------|---------|---------|

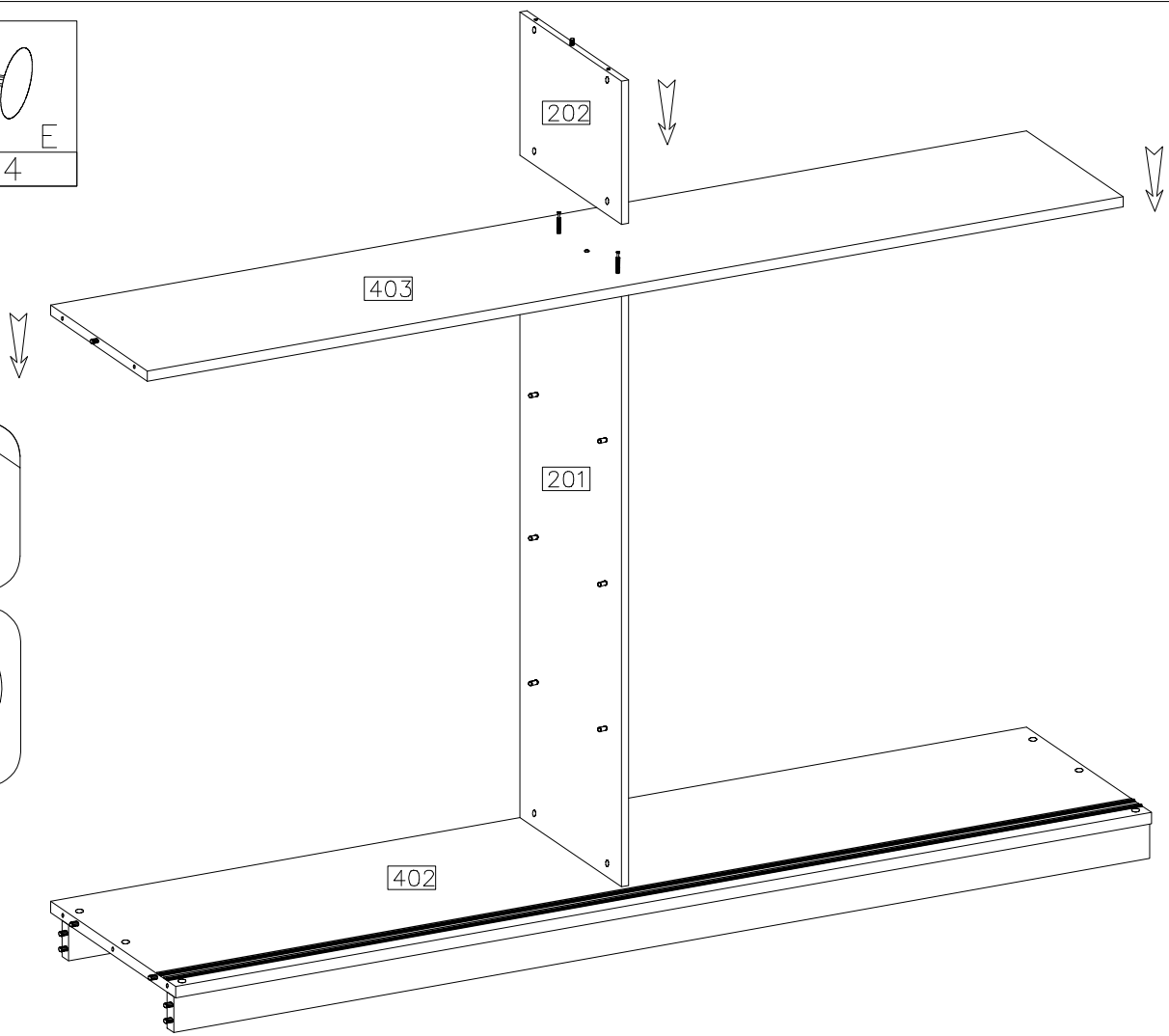
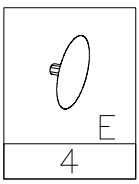


8

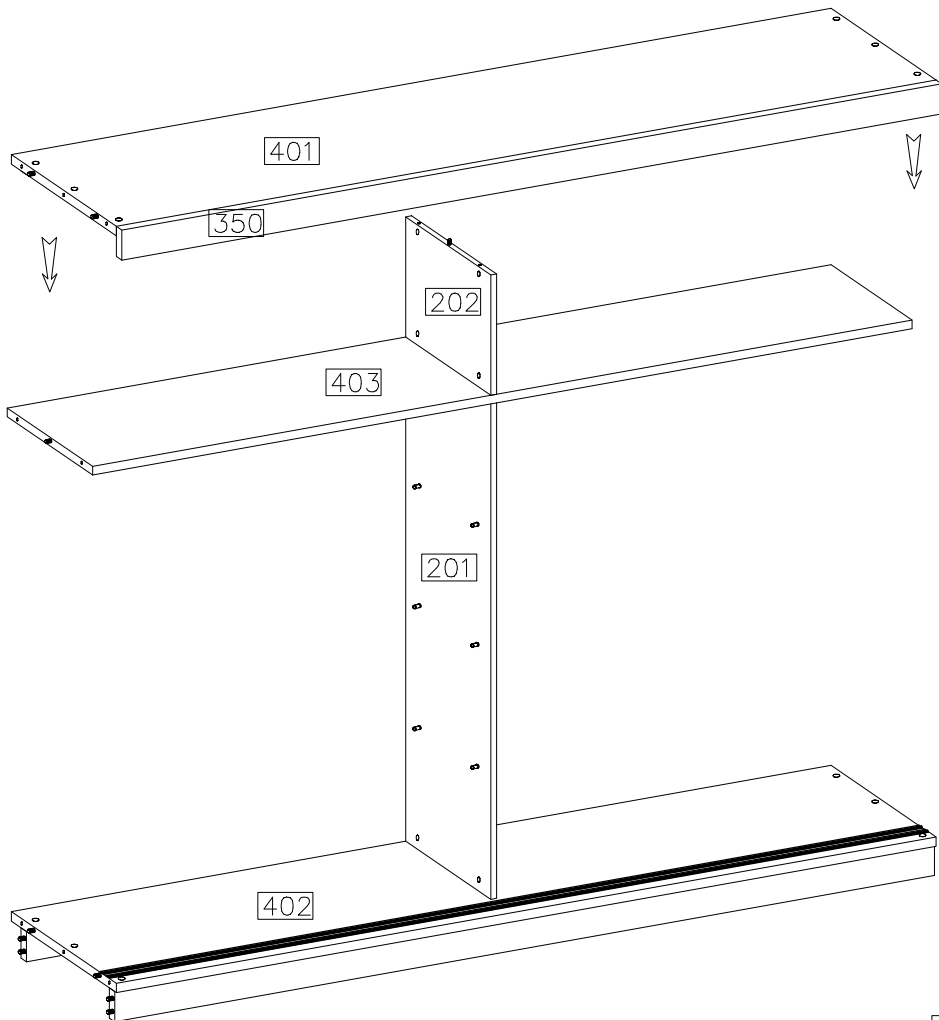
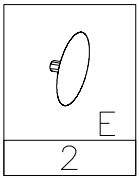
|        |
|--------|
| E<br>2 |
|--------|



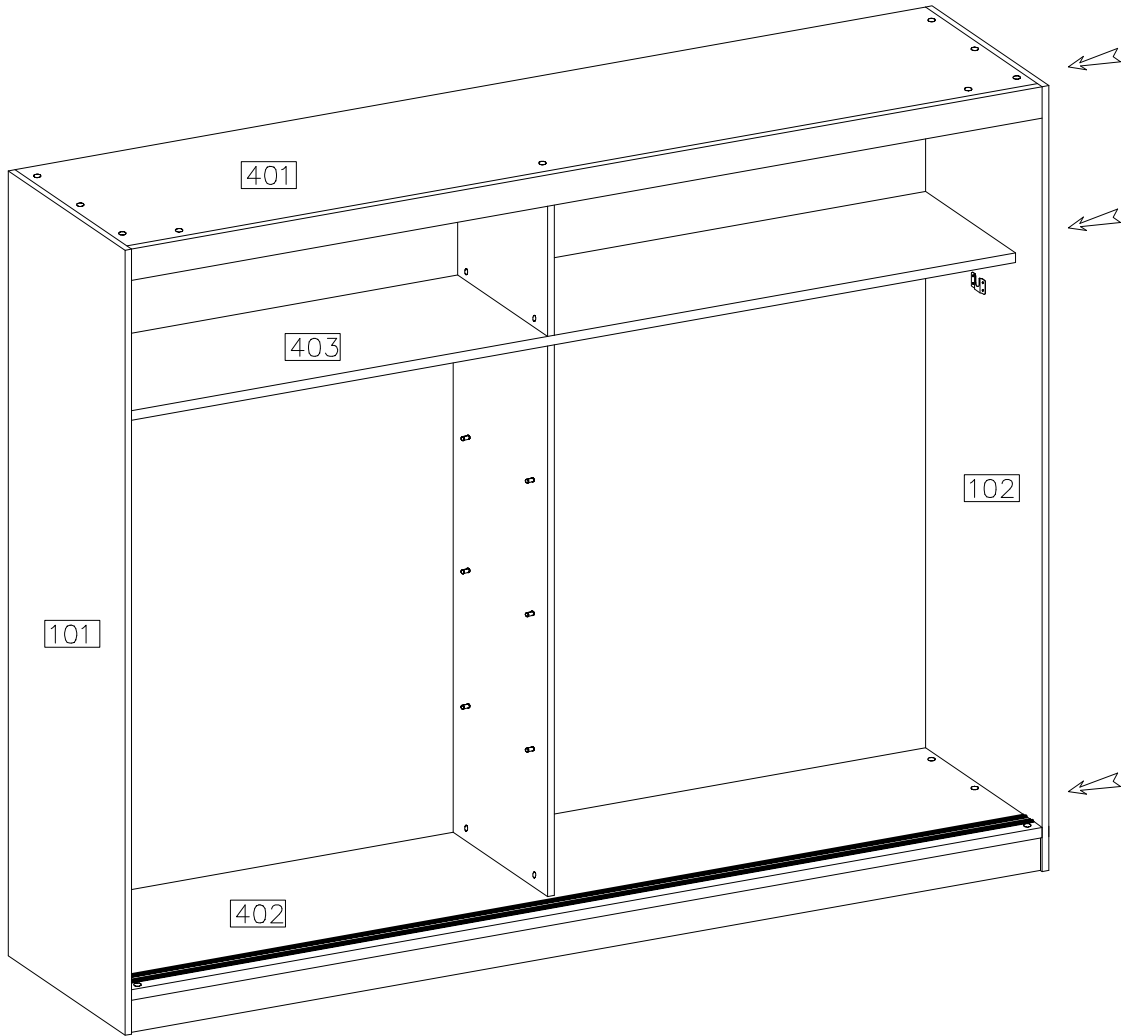
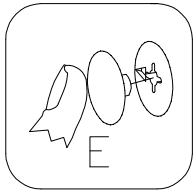
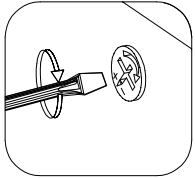
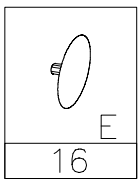
9



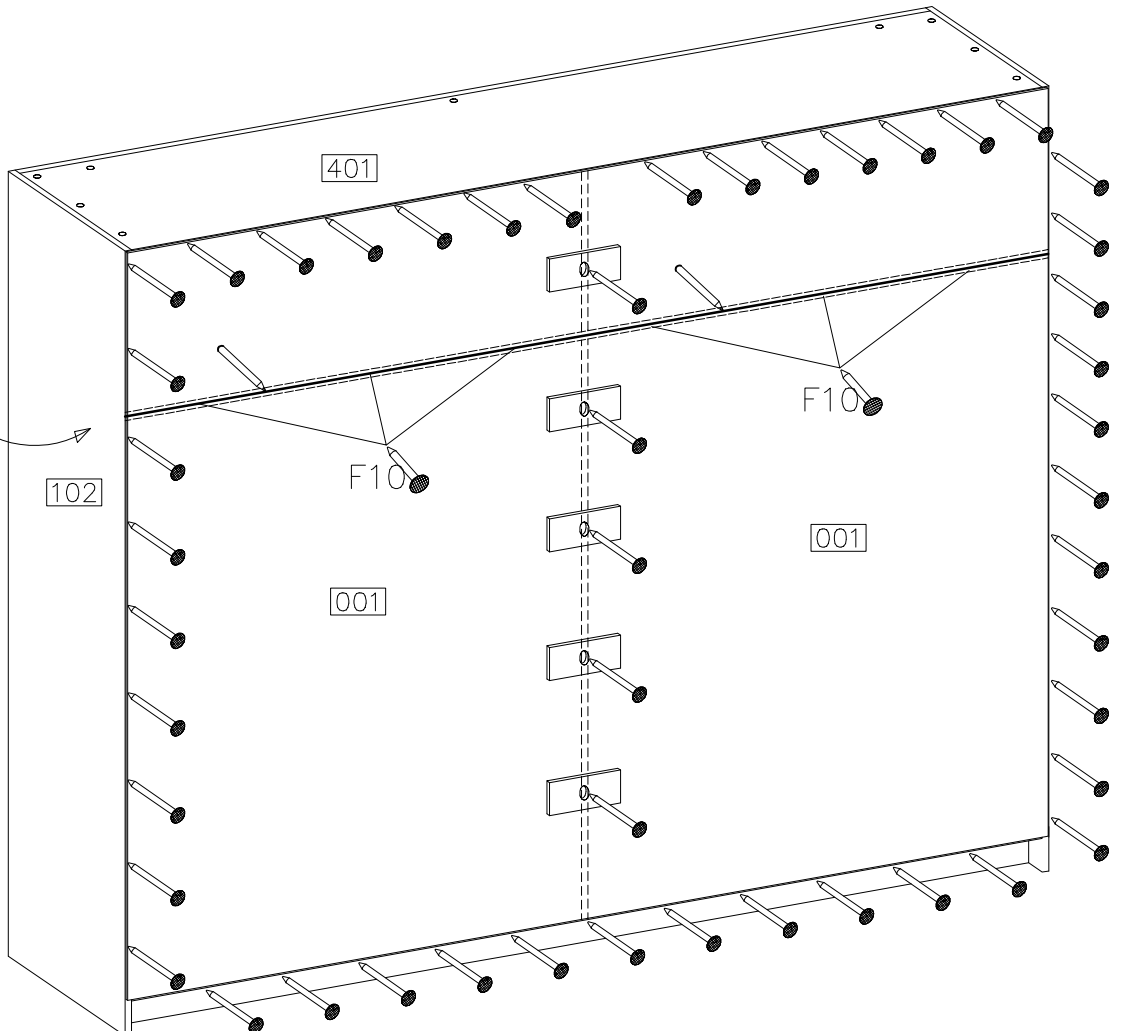
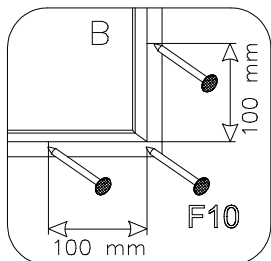
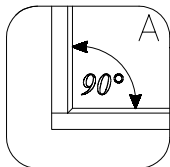
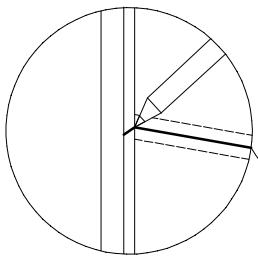
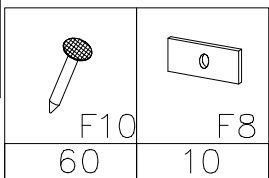
10



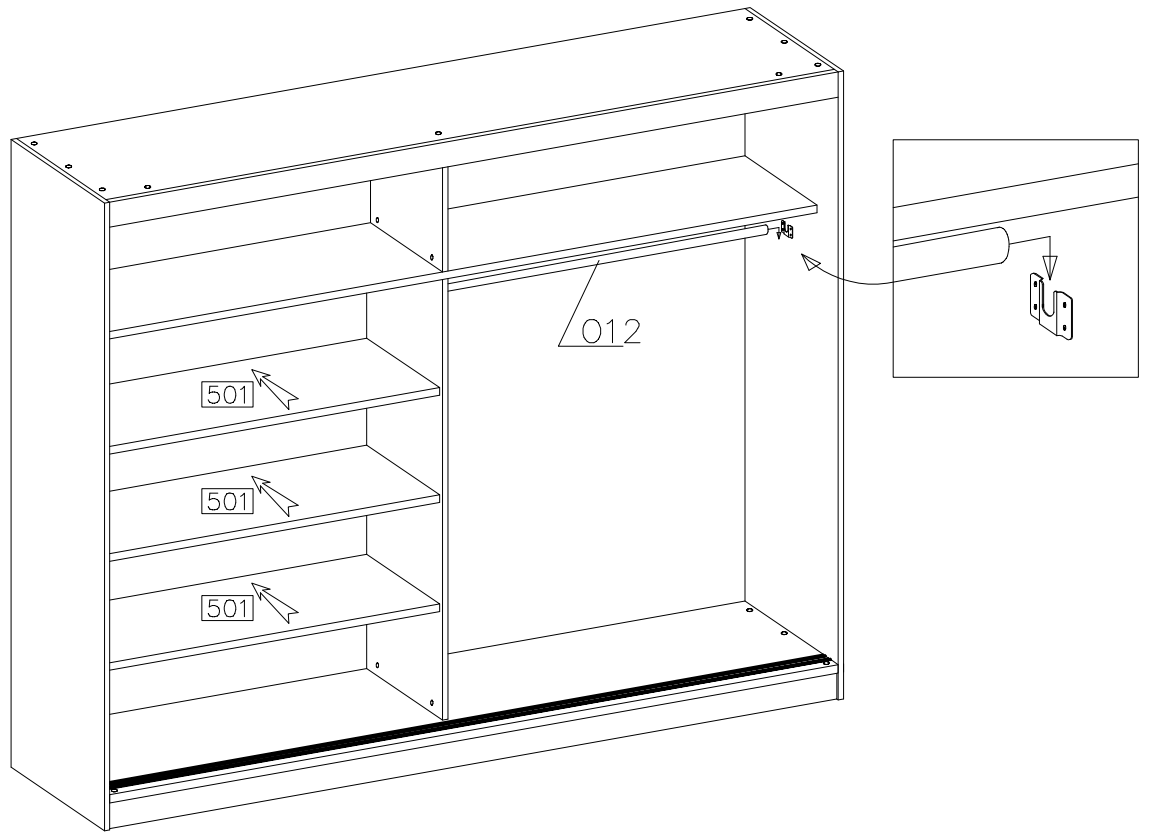
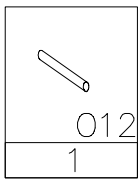
11



12

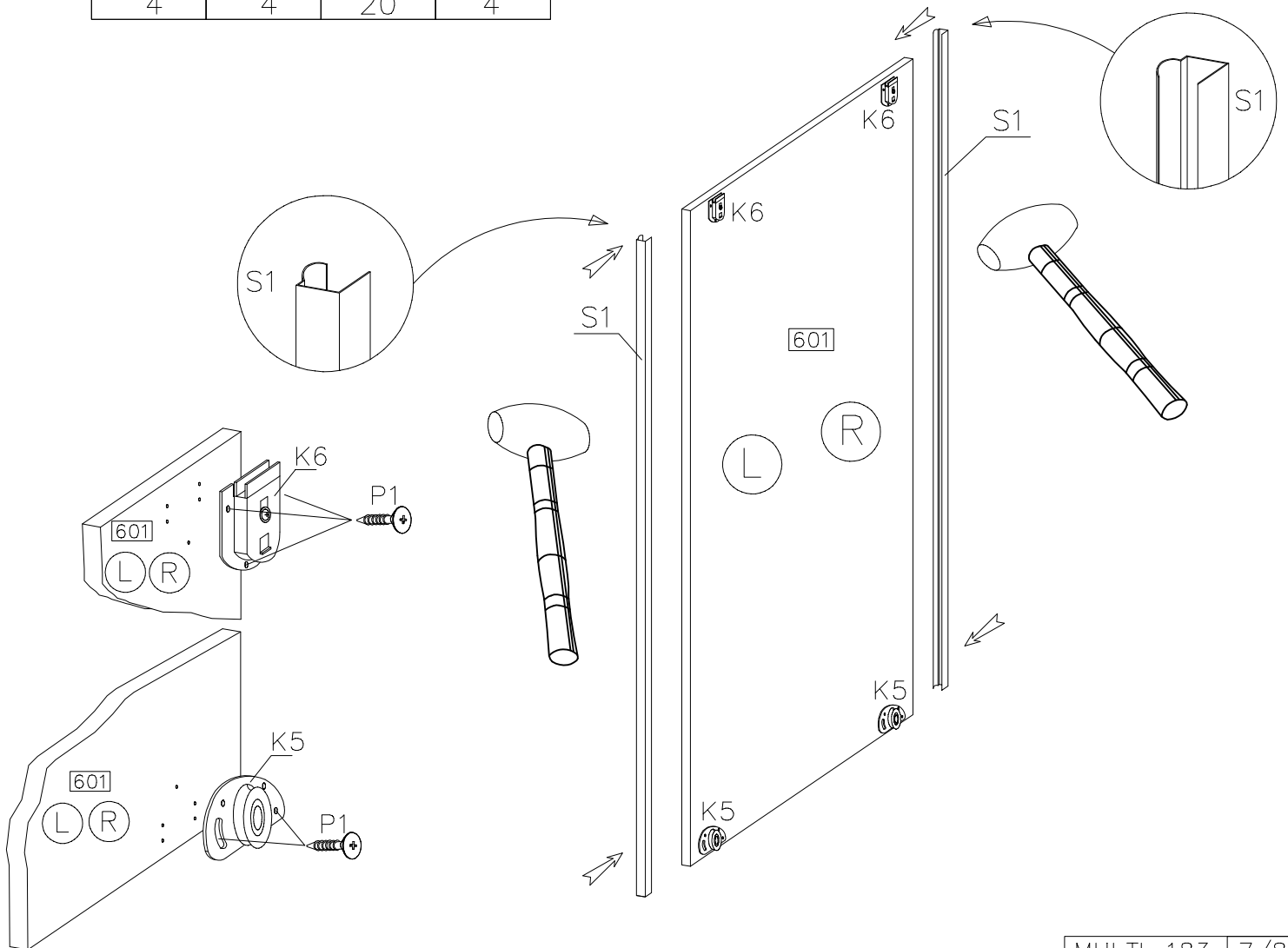


13

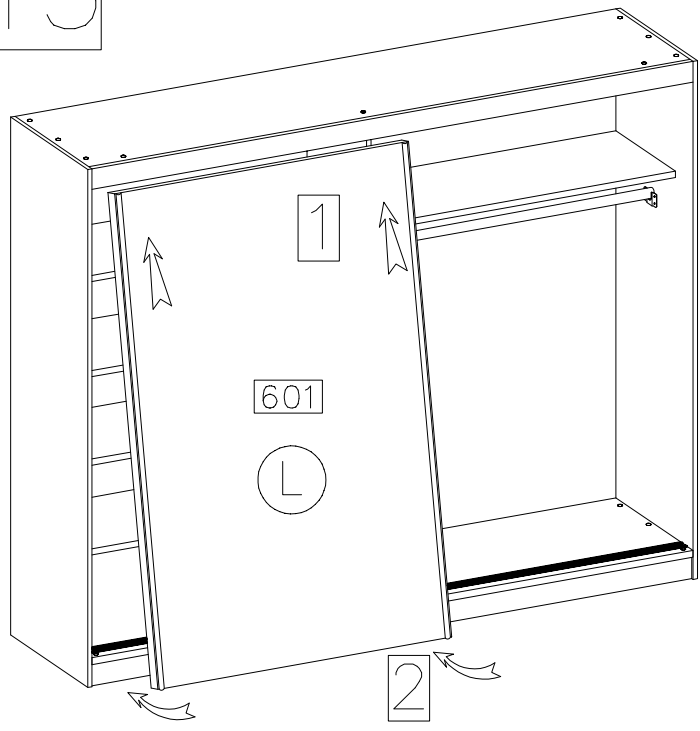


14

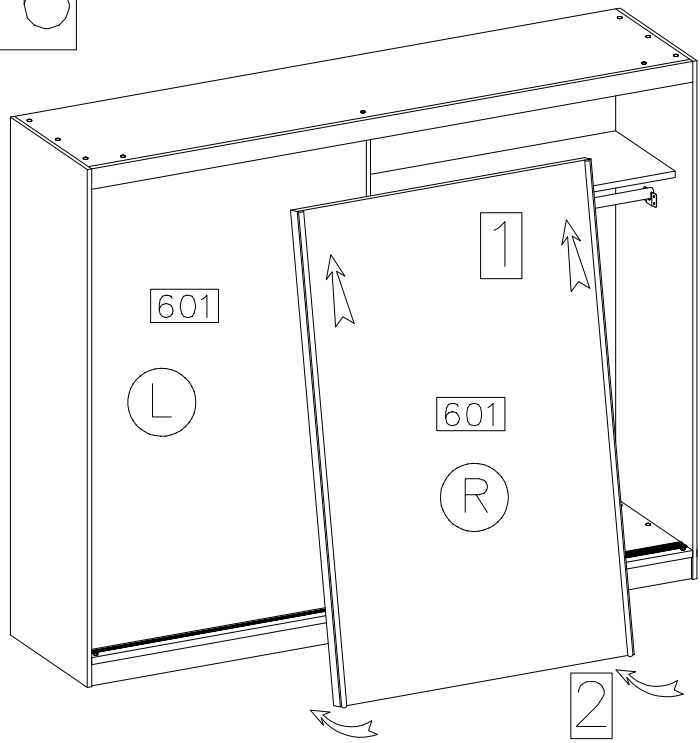
|    |    |    |    |
|----|----|----|----|
|    |    |    |    |
| K5 | K6 | P1 | S1 |
| 4  | 4  | 20 | 4  |



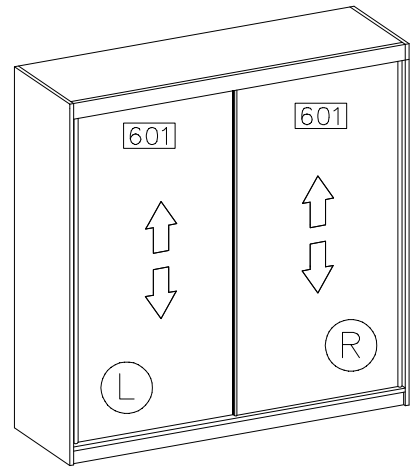
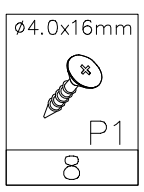
15



16



17



STEP 1  
KROK 1

STEP 2  
KROK 2

STEP 3  
KROK 3

