

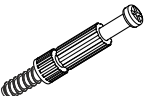


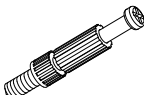


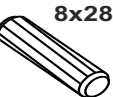



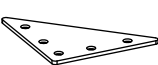


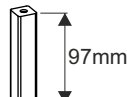
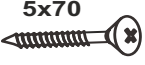






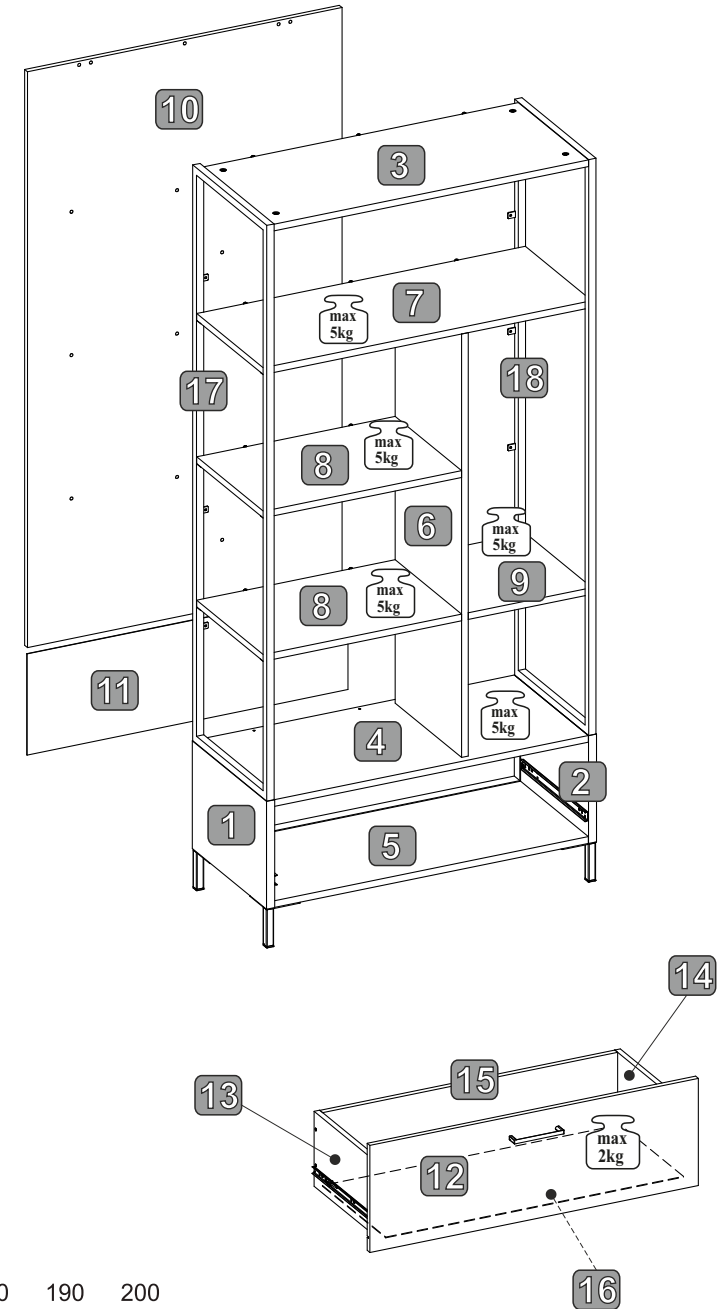
 33x T02	 2x P06	 16x W25
 25x T01	 14x W02	 1x F50
 8x T04	 1x S42	 8x R01
 30x D01	 2x W28	 1x P01
 14x W15	 4x N05	 20x W07
 4x W16	 4x N06	 1x F11
 1x K02	 4x S10	 1x F01
 1x K03	 4x NS1	 18x C01

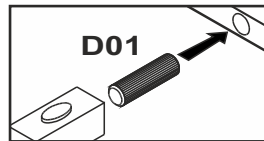
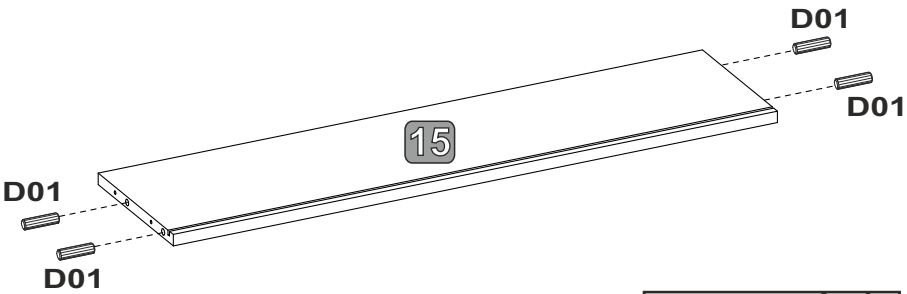
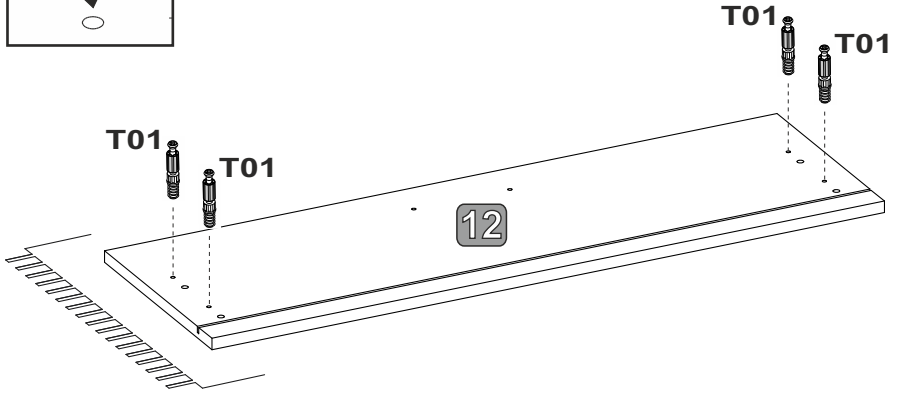
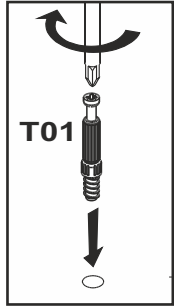
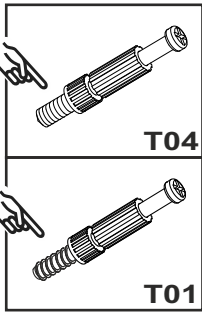
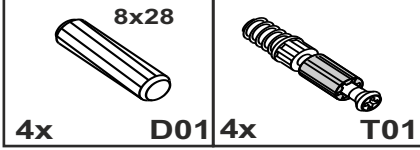
NR	DIM	QTE	COLLI
1	405x288x22	1	1/3
2	405x288x22	1	1/3
3	858x383x18	1	1/3
4	856x404x18	1	1/3
5	856x404x18	1	1/3
6	1131x363x18	1	2/3
7	896x363x18	1	2/3
8	541x363x18	2	2/3
9	337x363x18	1	2/3
10	1534x858x15	1	2/3
11	875x270x2	1	1/3
12	896x286x15	1	1/3
13	350x200x15	1	1/3
14	350x200x15	1	1/3
15	805x200x15	1	1/3
16	816x347x2	1	1/3
17	1538x404x20	1	3/3
18	1538x404x20	1	3/3



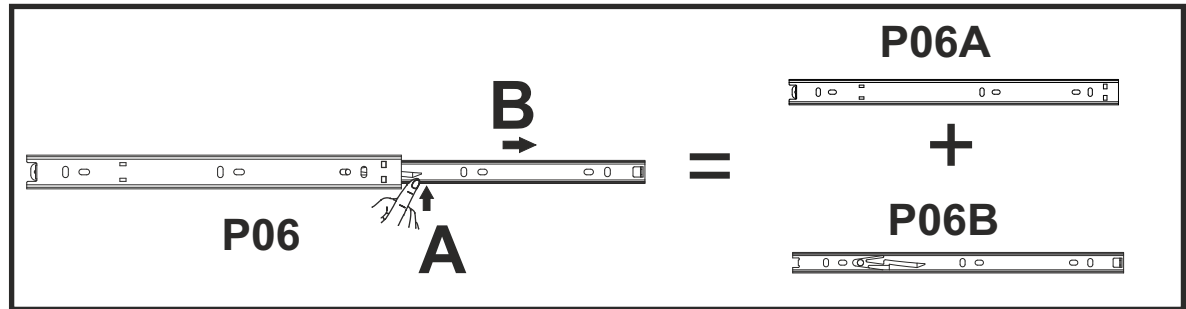
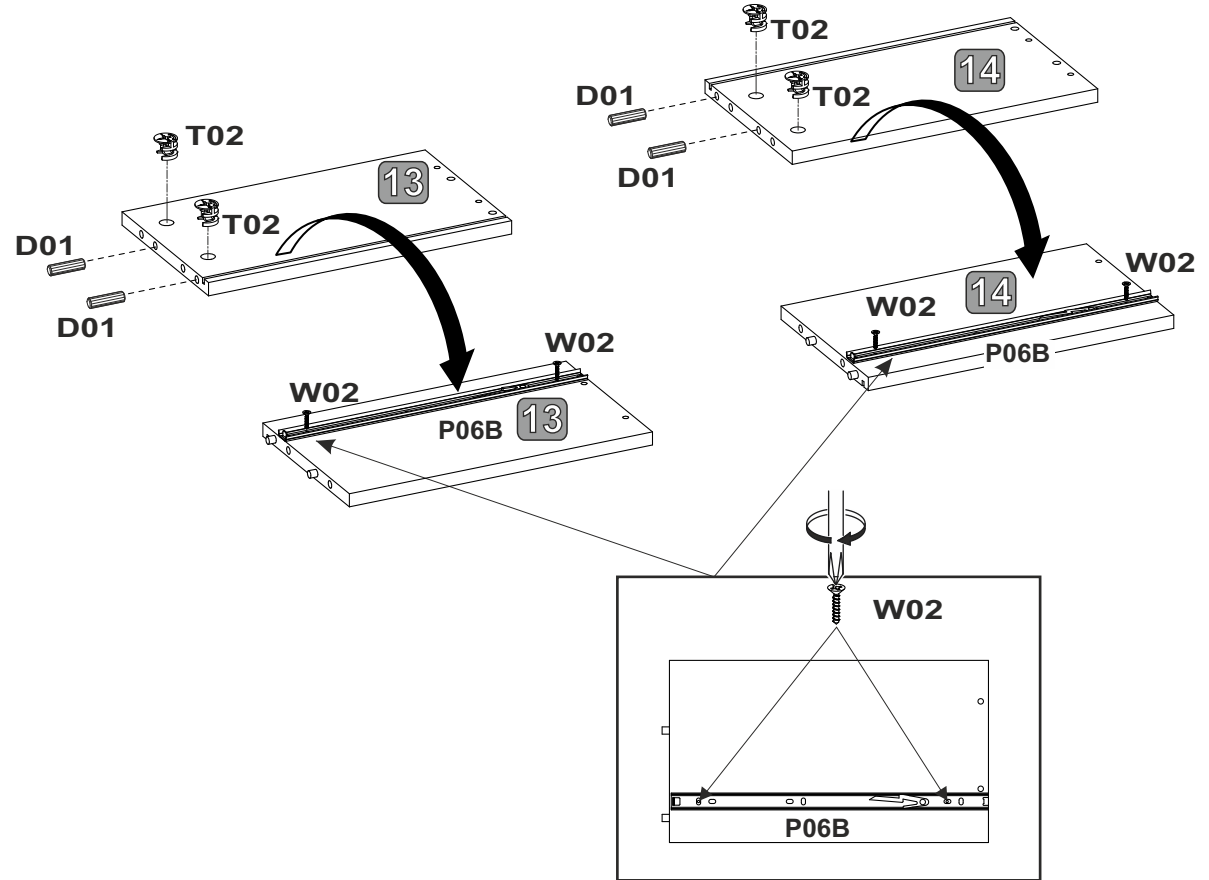
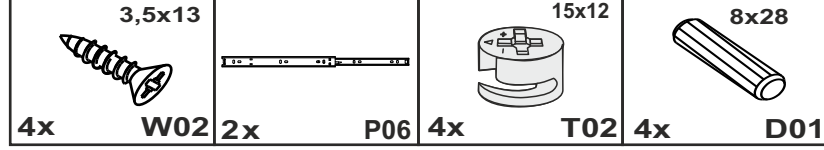
0 10 20 30 40 50 60 70 80 90 100 110 120 130 140 150 160 170 180 190 200



1

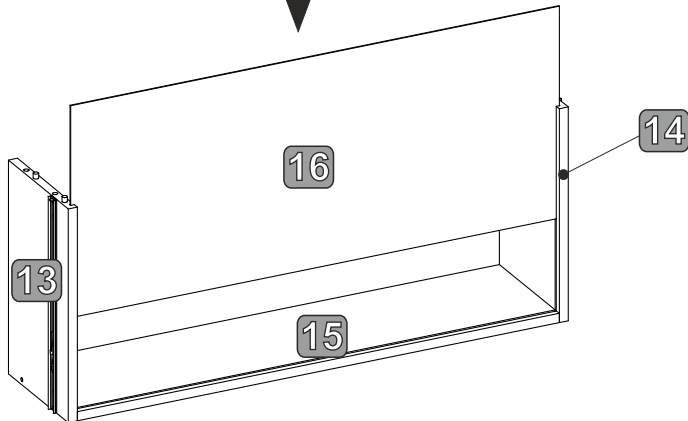
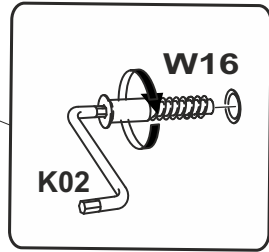
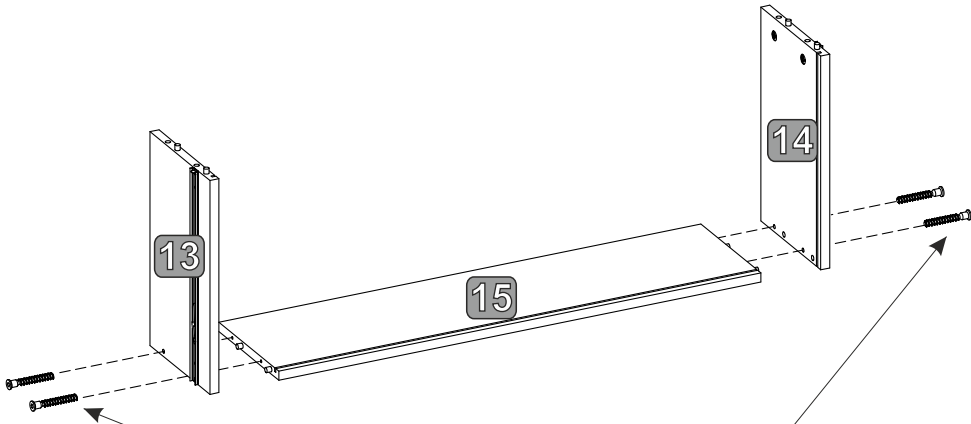


2



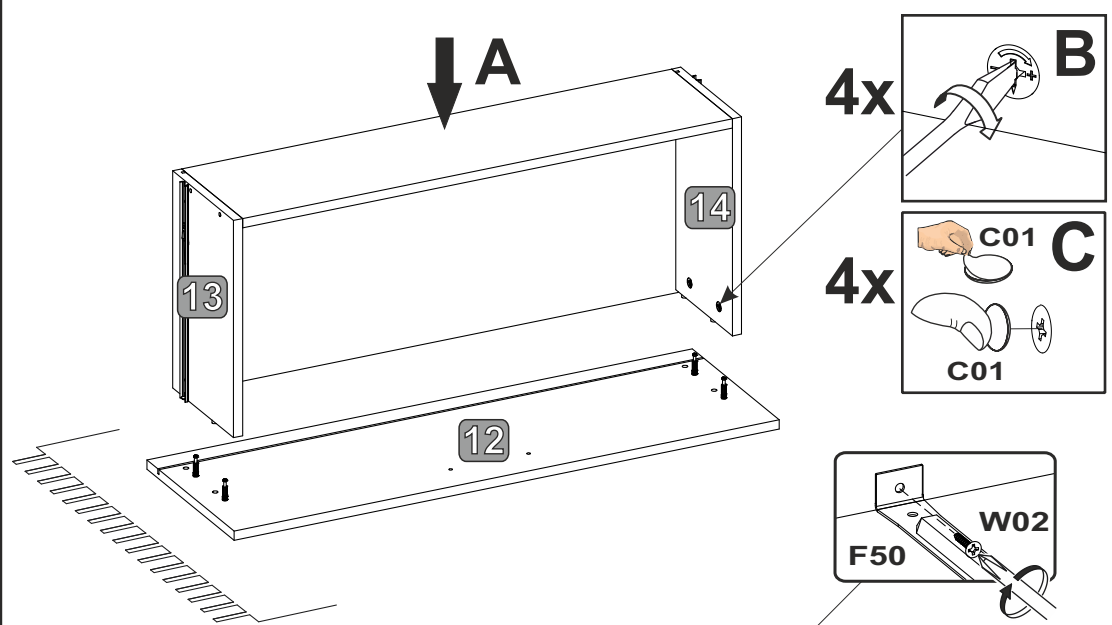
3

- 5x40  
4x W16
- 1x K02

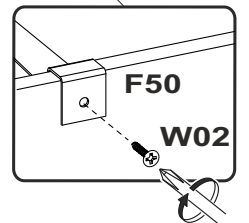
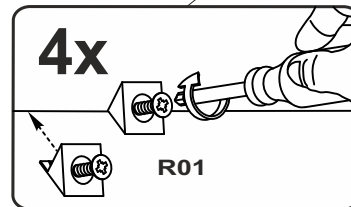
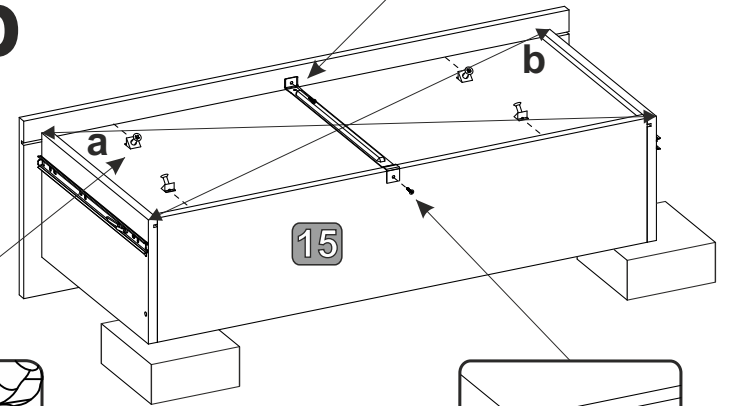


4

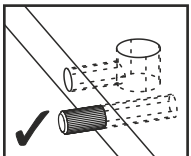
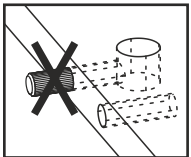
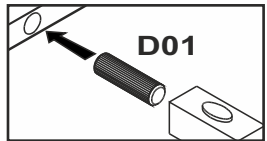
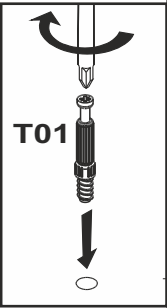
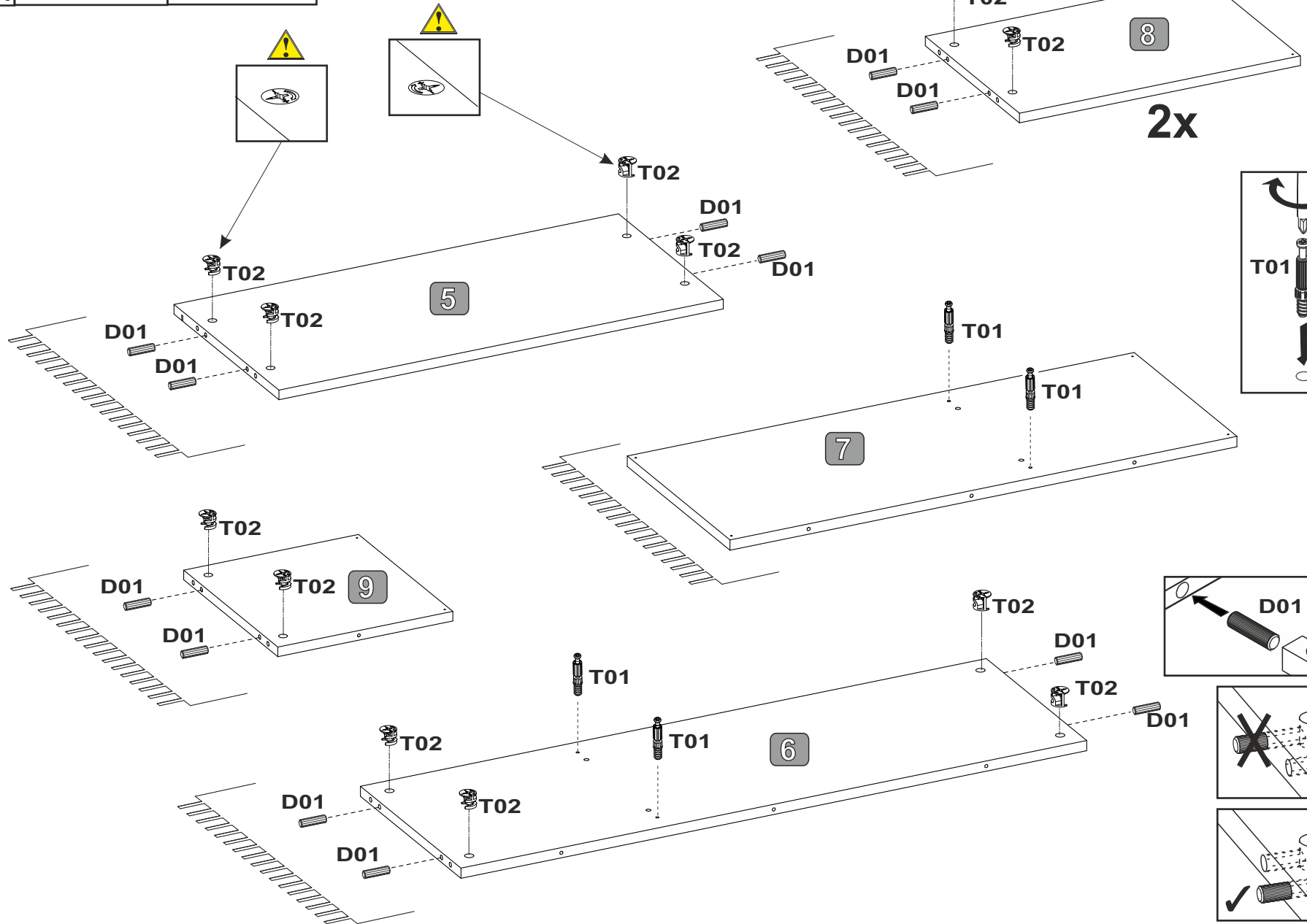
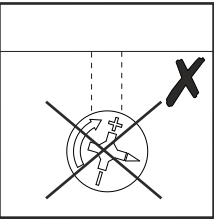
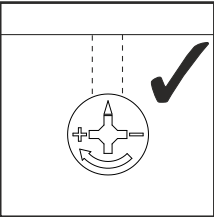
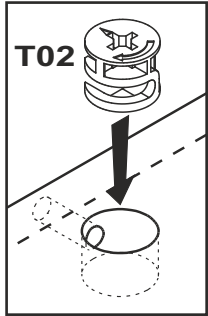
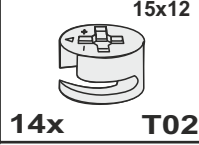
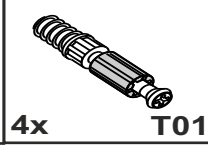
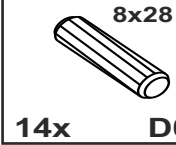
- 4x R01
- 2x 3,5x13 W02
- 1x 350mm F50
- 4x Ø20 C01



a=b

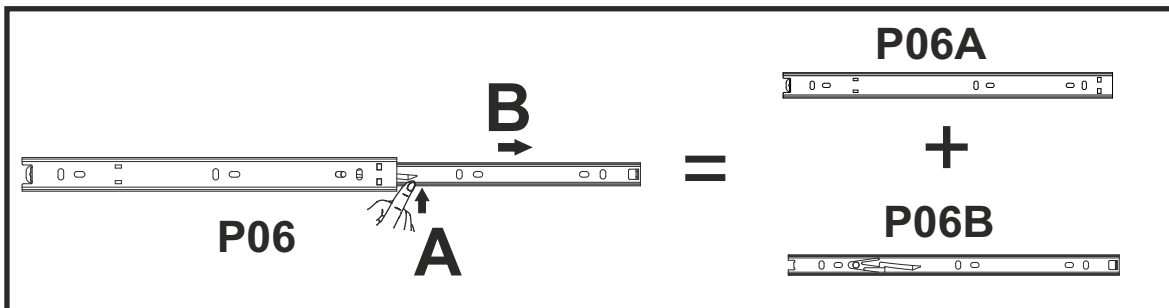
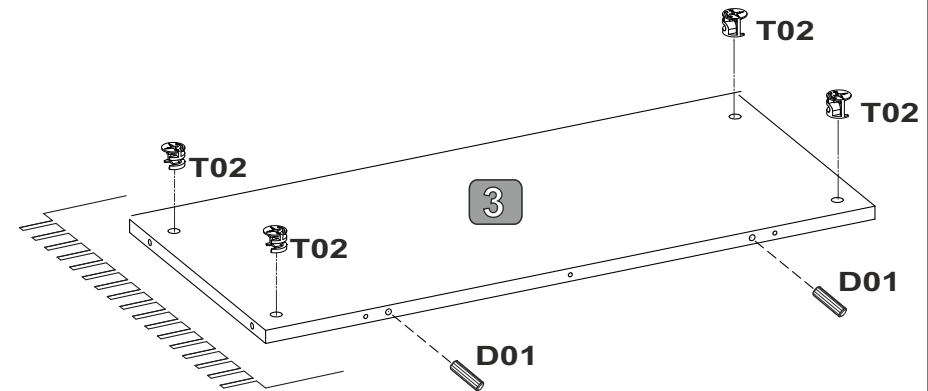
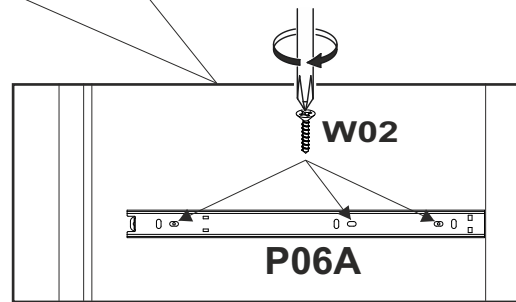
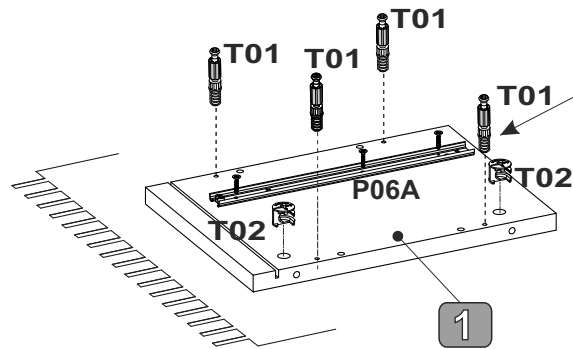
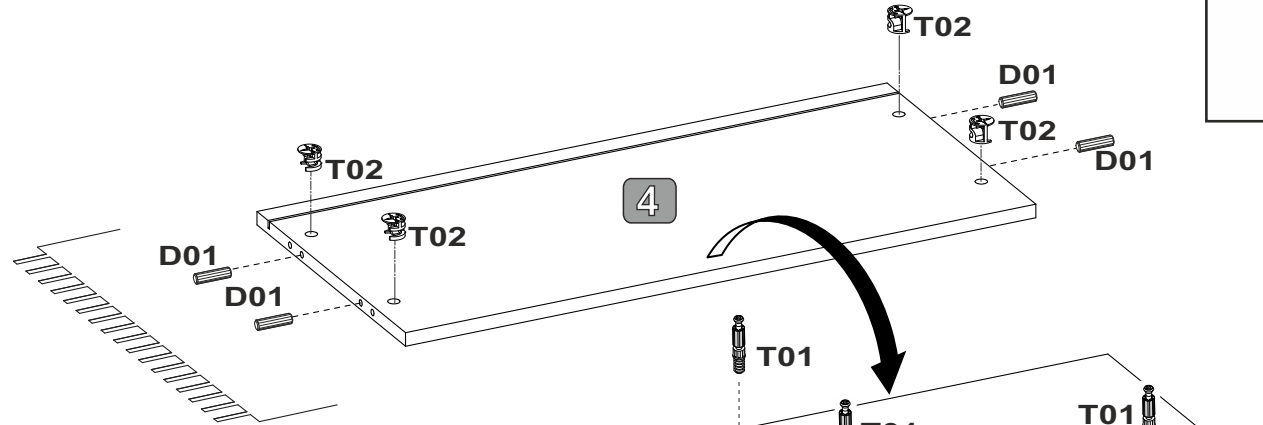
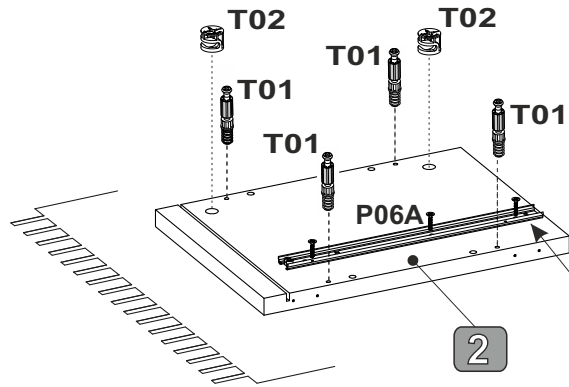
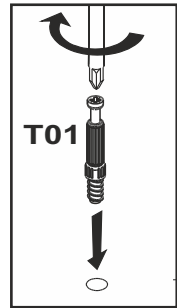


5

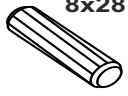
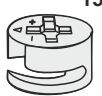



6

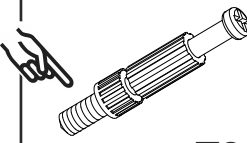
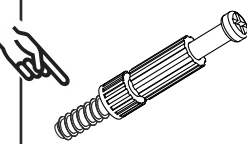
8x28 D01	13x T01	15x12 T02	3,5x13 W02	2x P06
6x	13x	12x	6x	2x

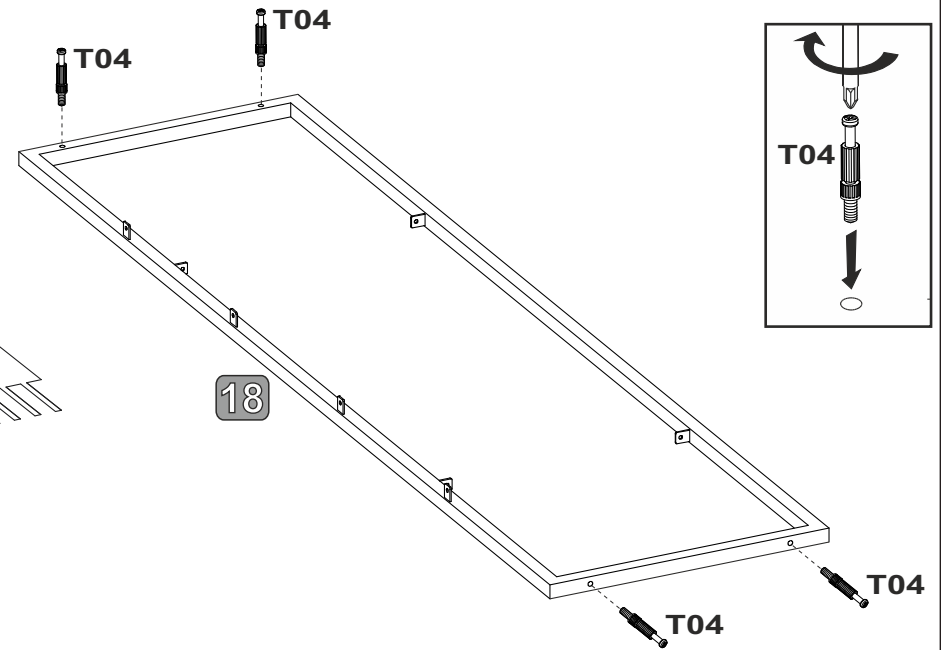
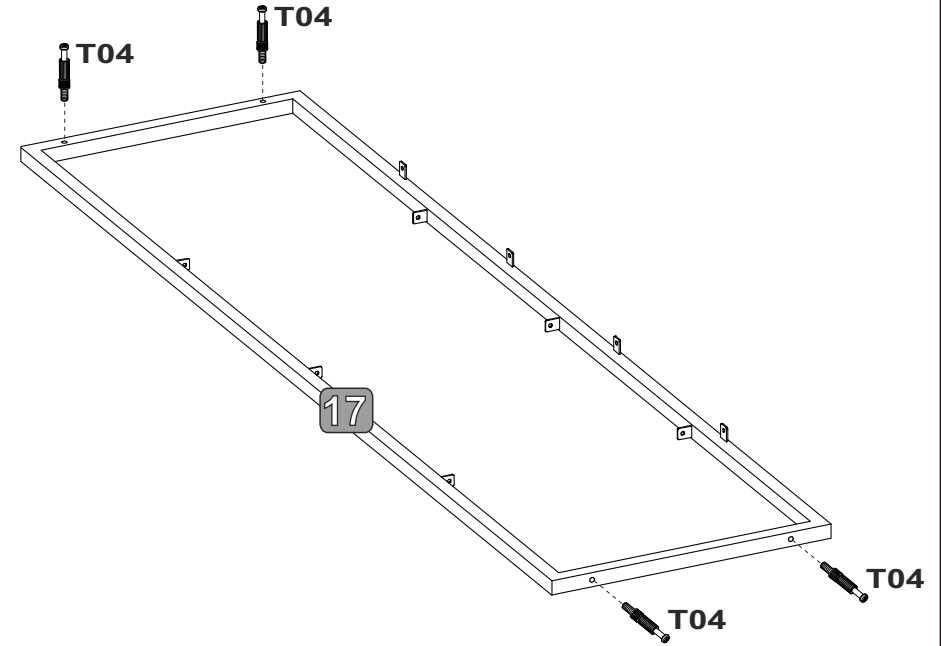
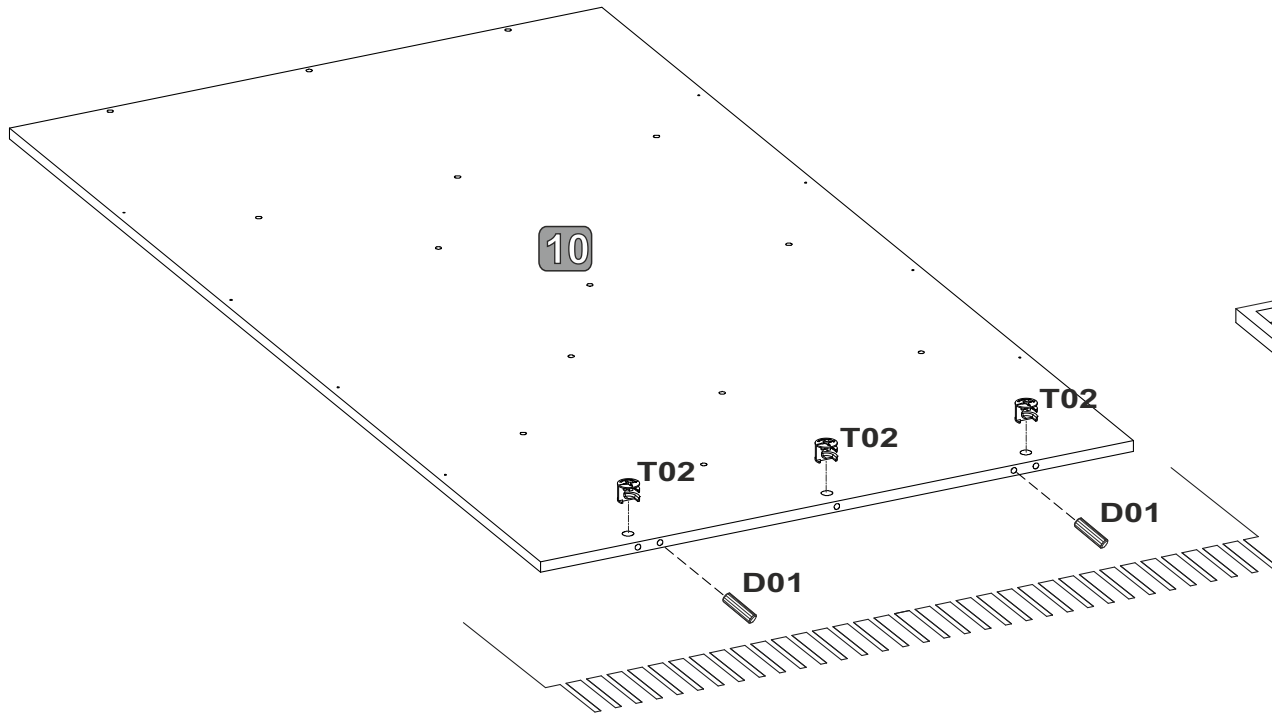


7

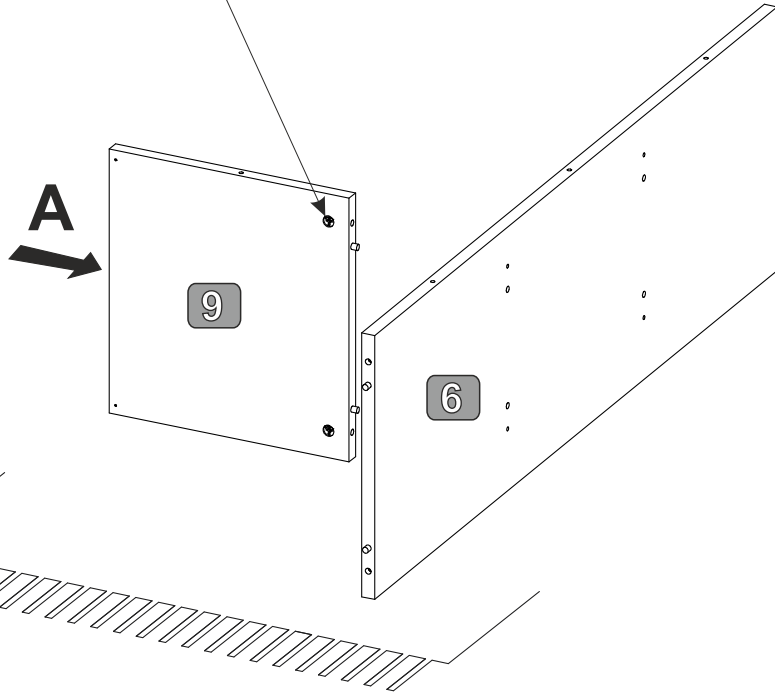
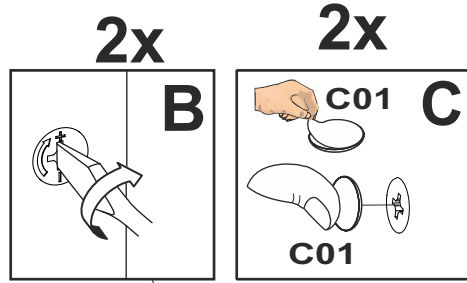
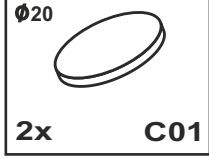
		
8x28	15x12	
2x	3x	8x
D01	T02	T04



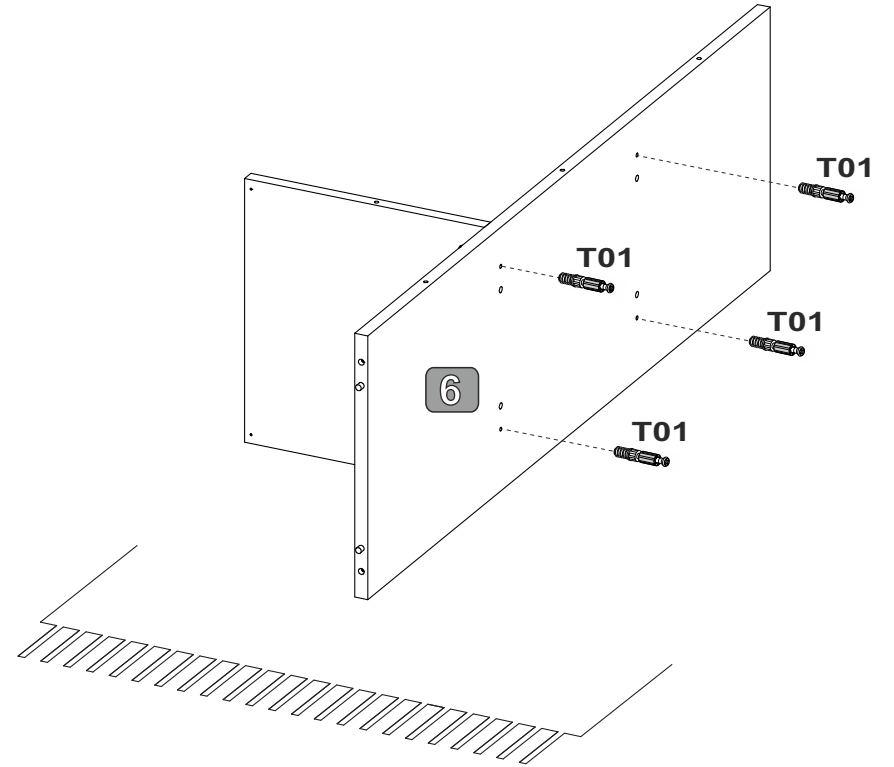
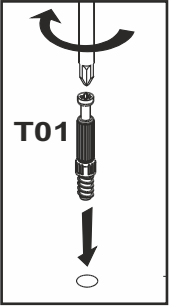
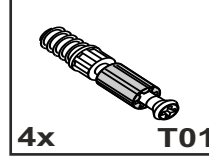
	T04
	T01



8

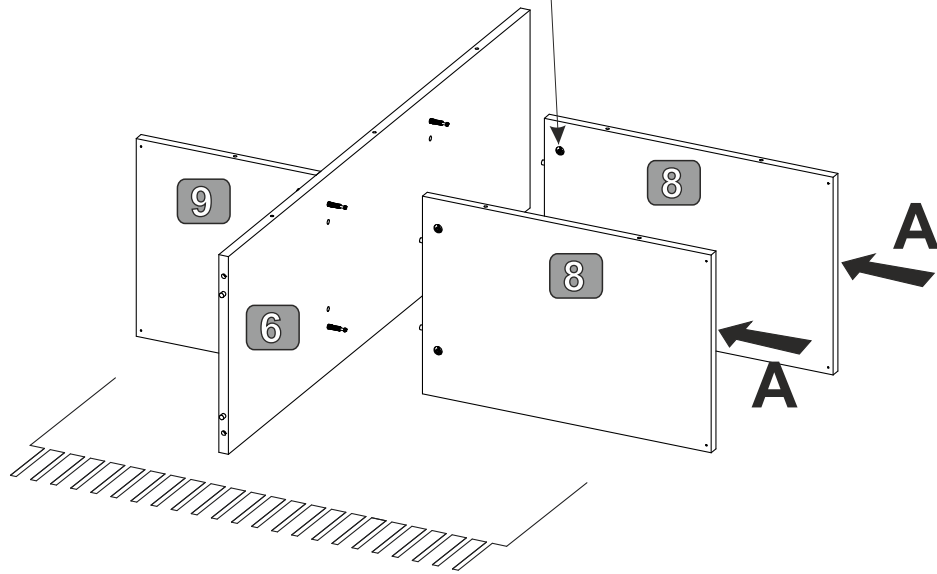
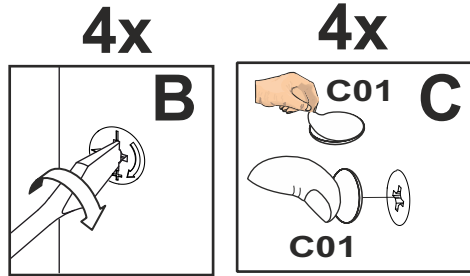
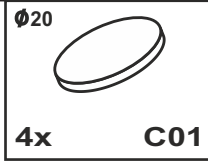


9

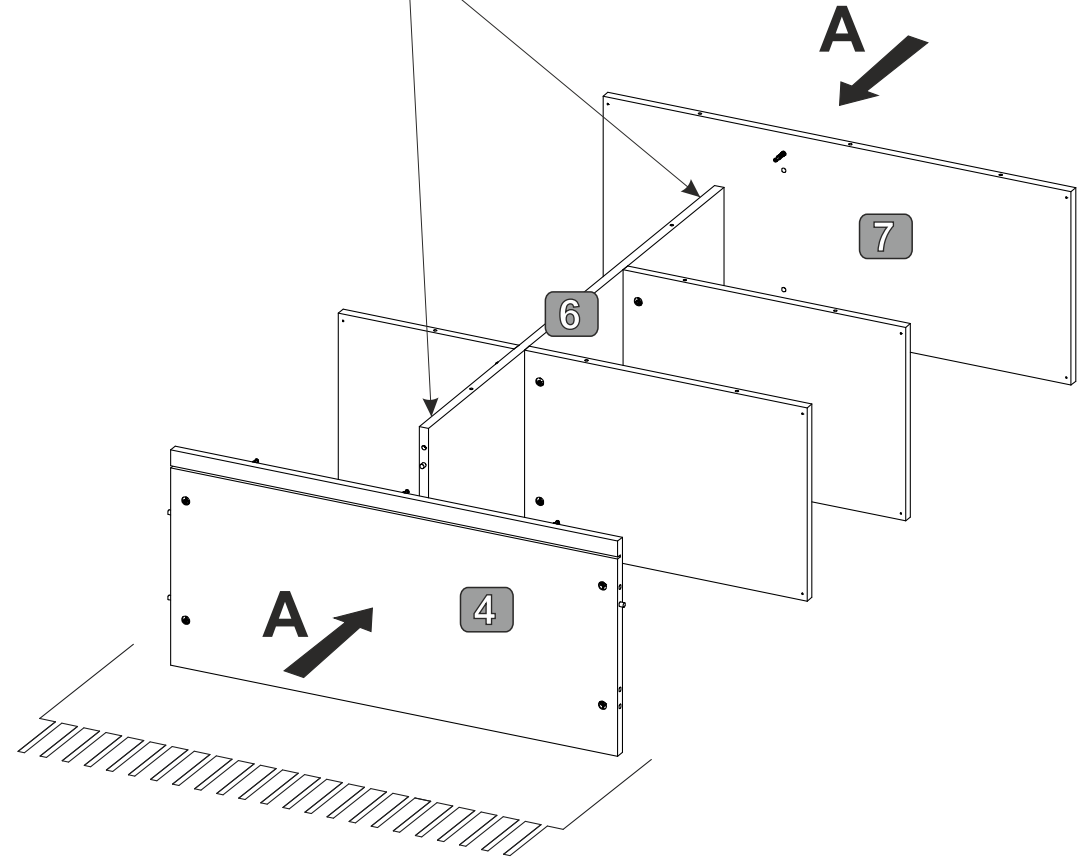
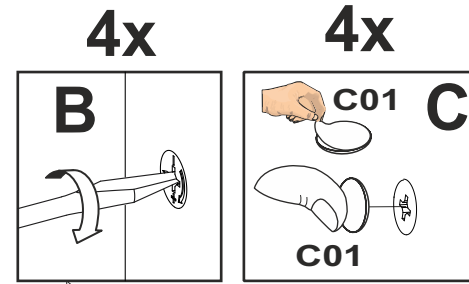
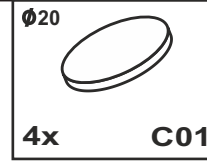




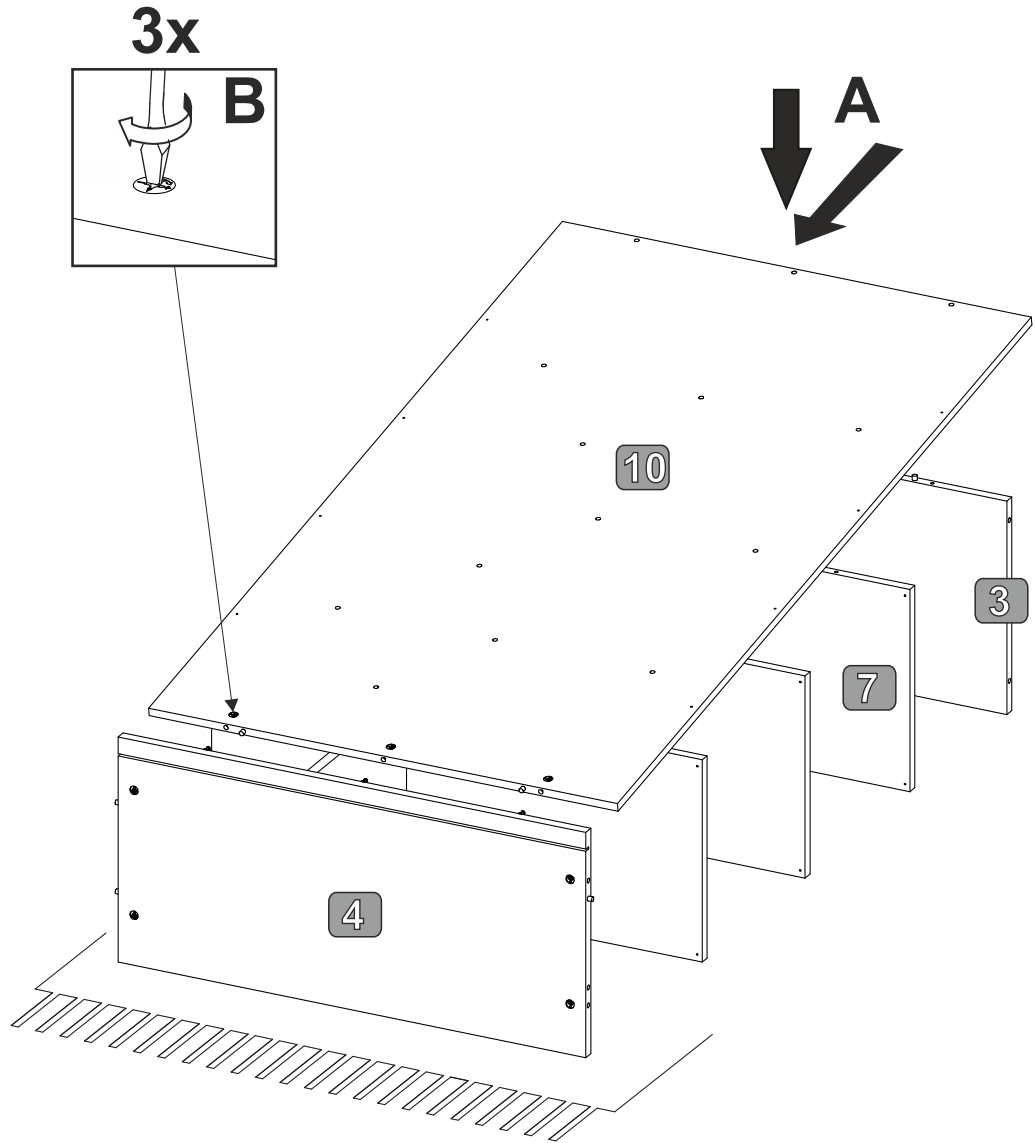
10



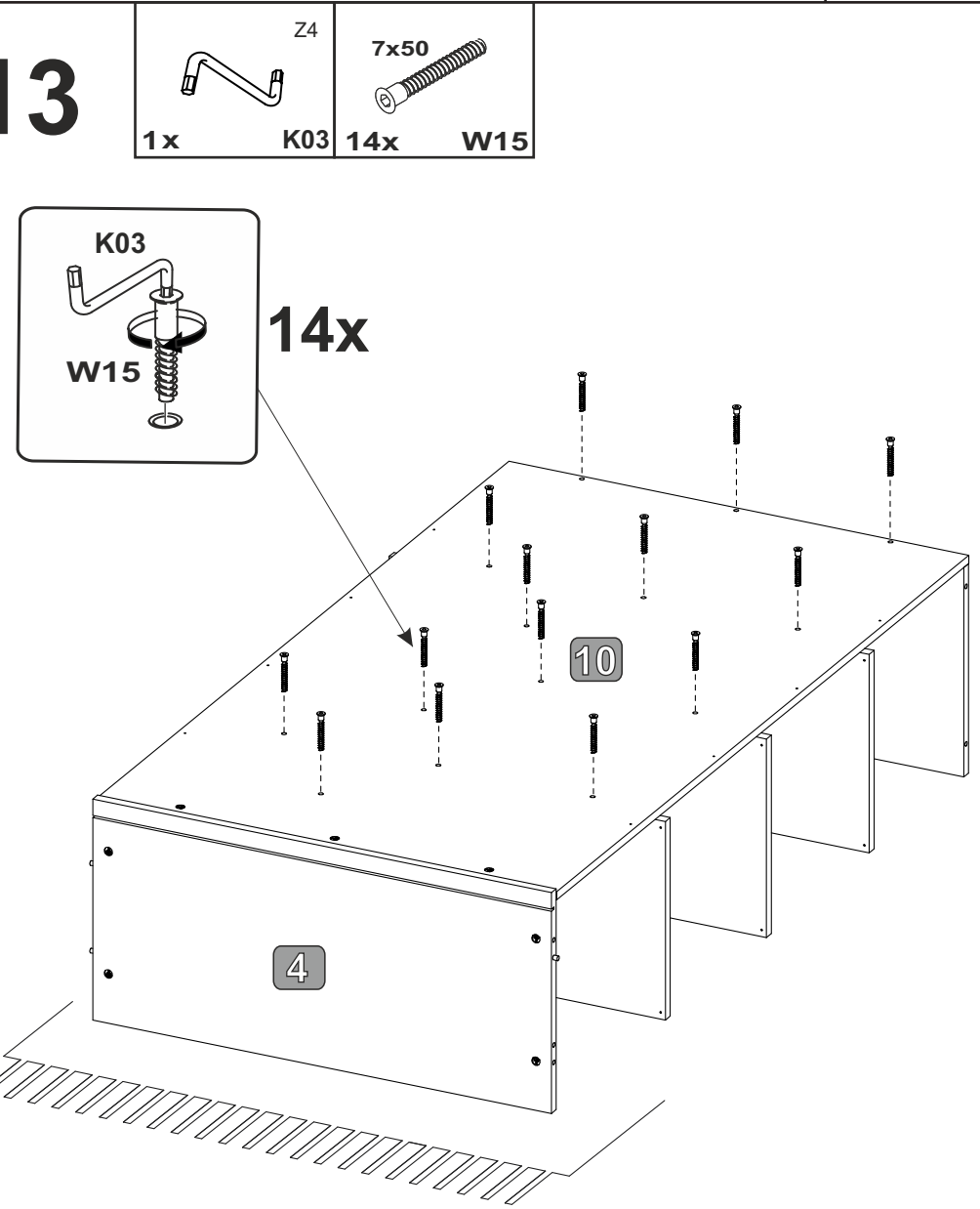
11



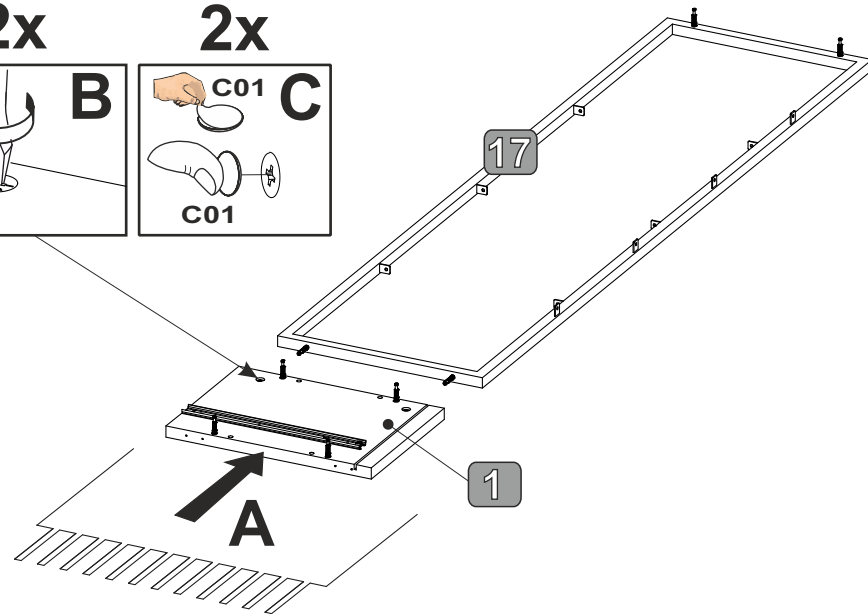
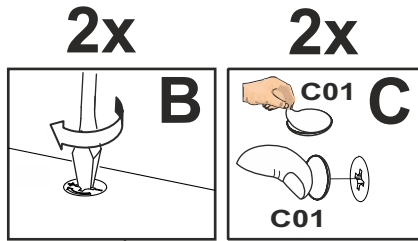
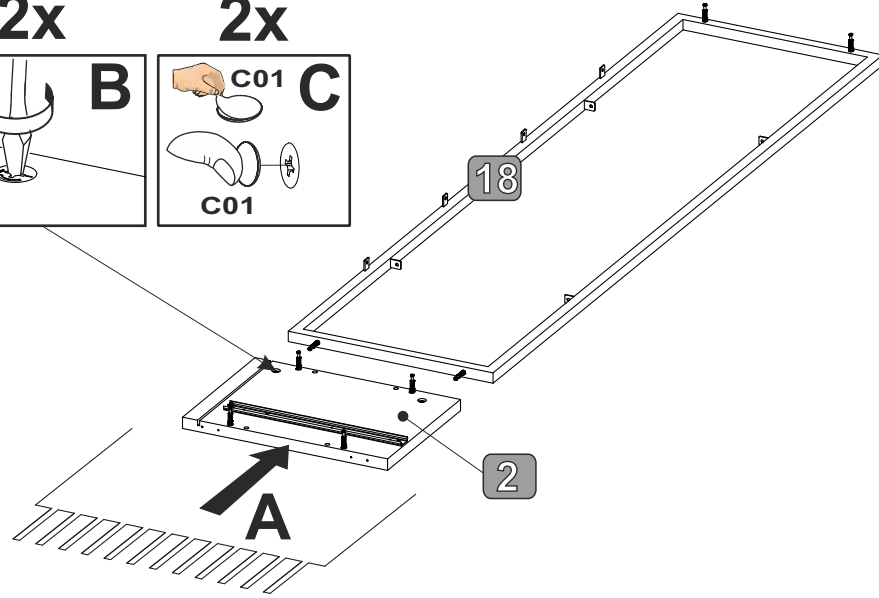
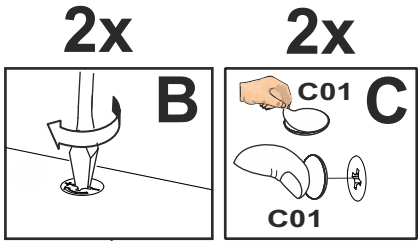
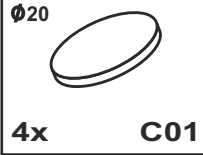
# 12



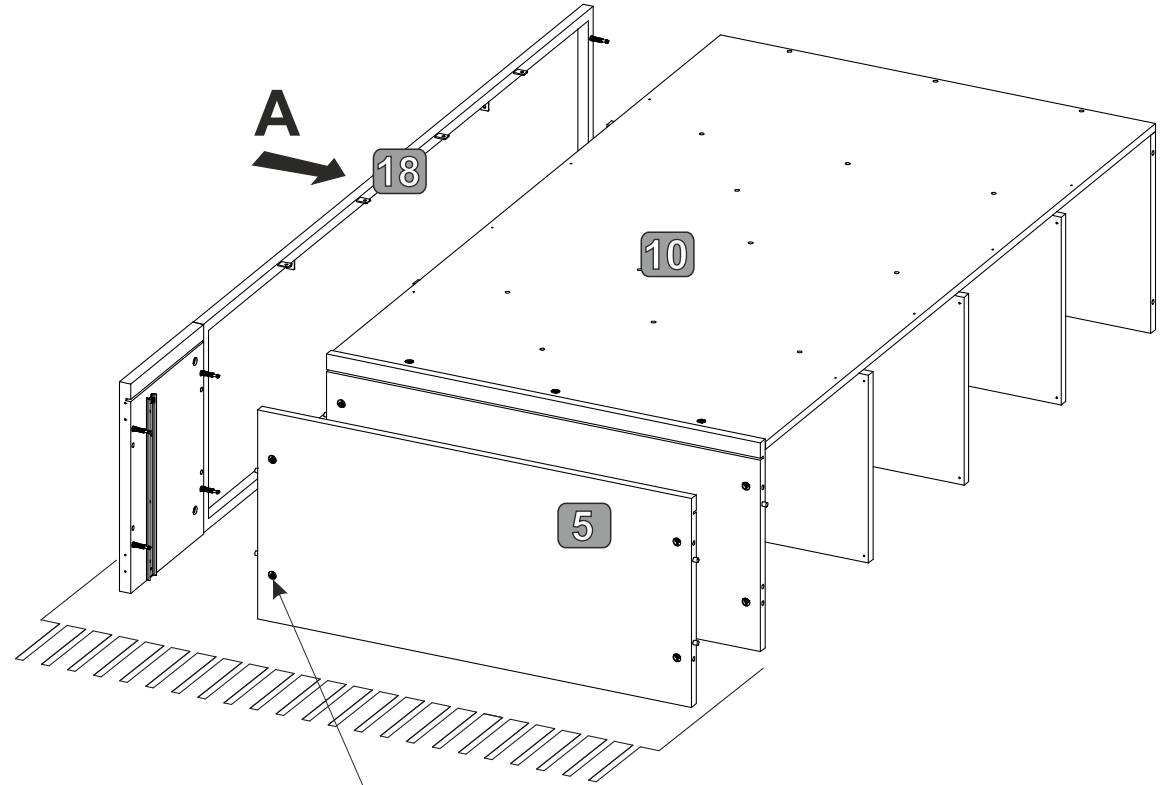
# 13



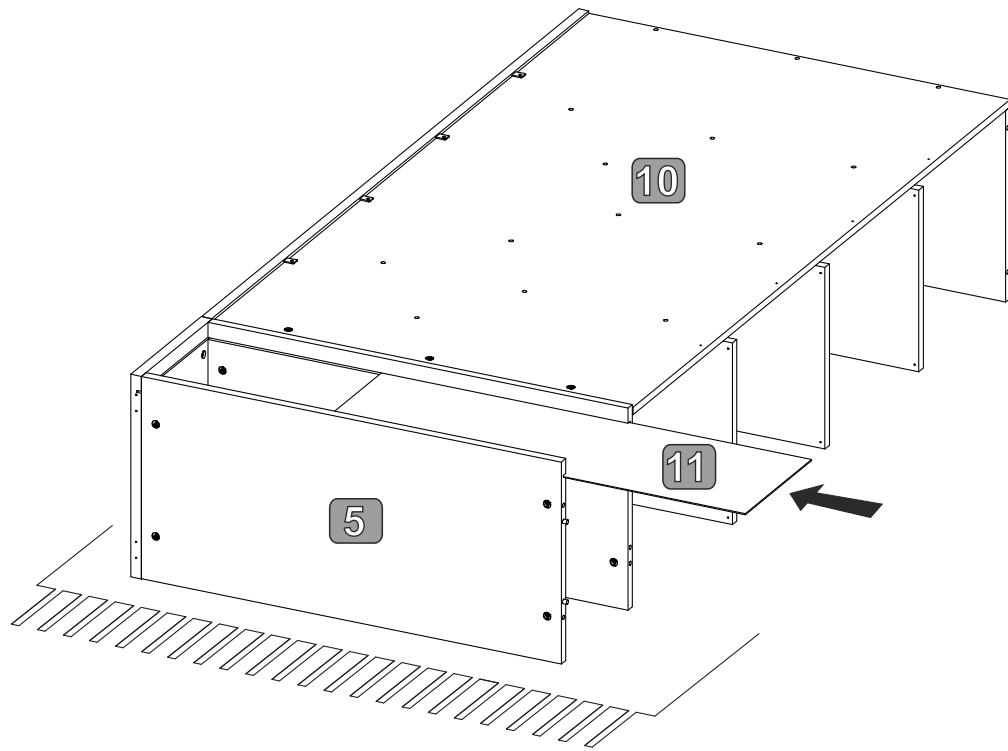
14



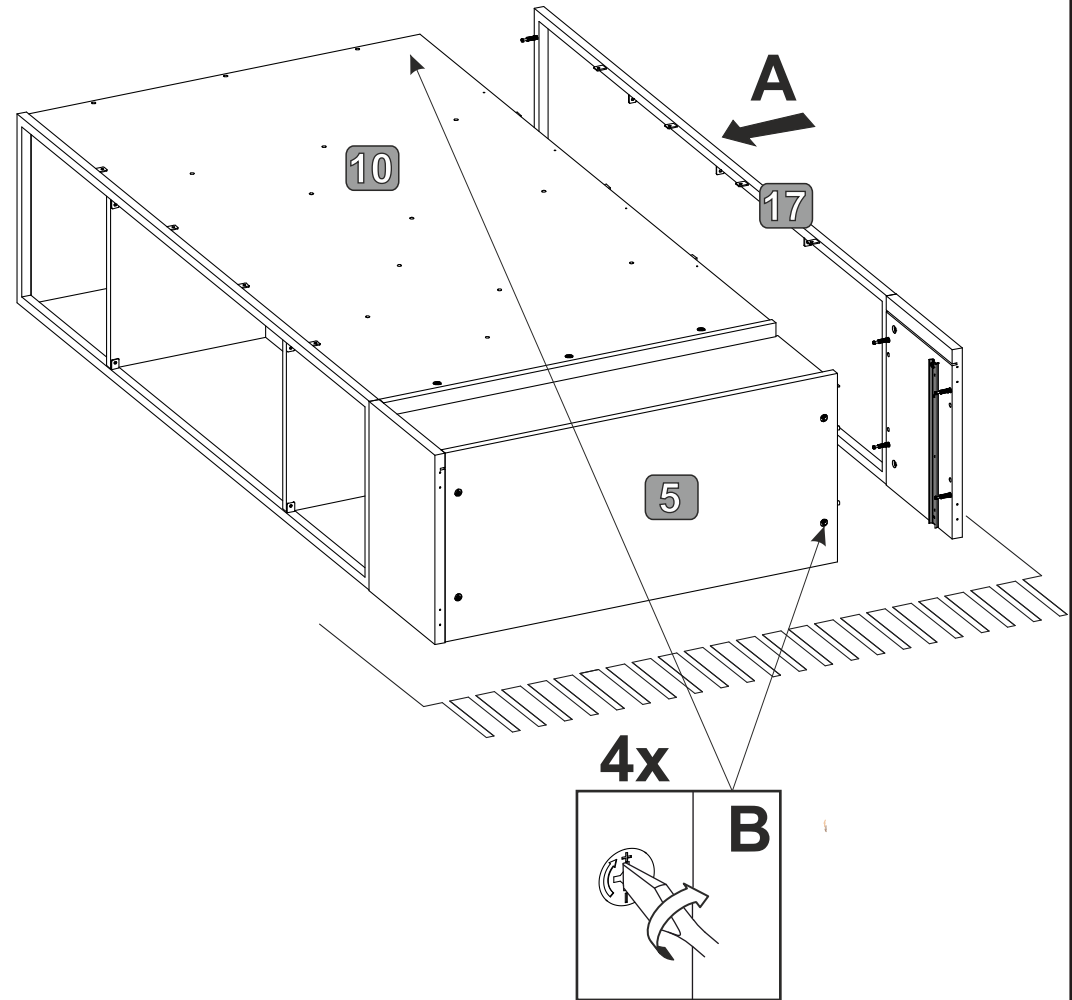
15



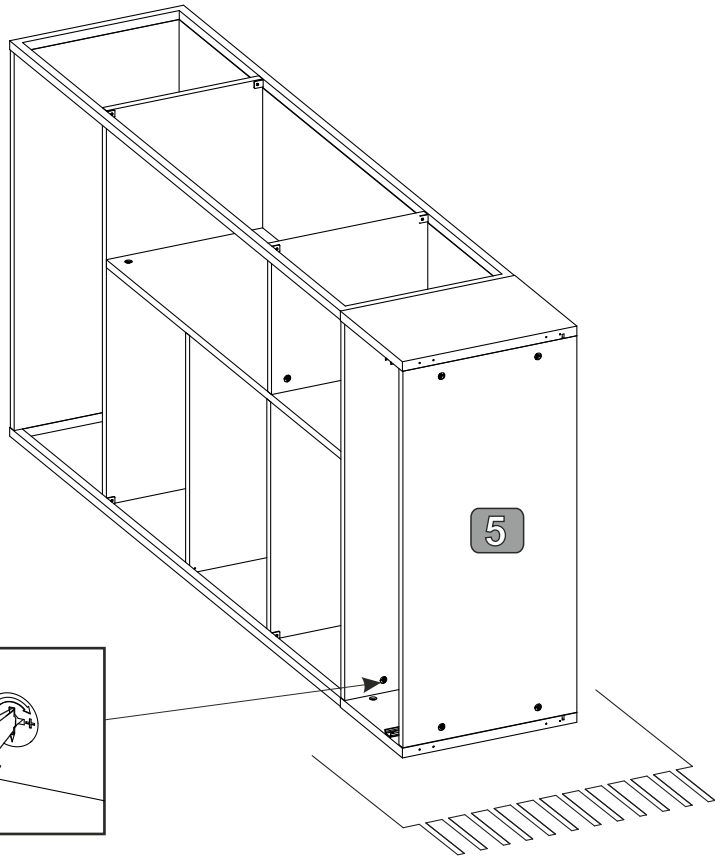
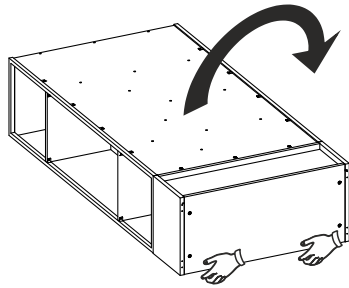
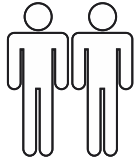
# 16



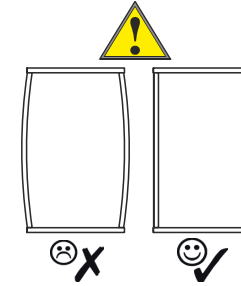
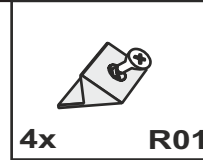
# 17



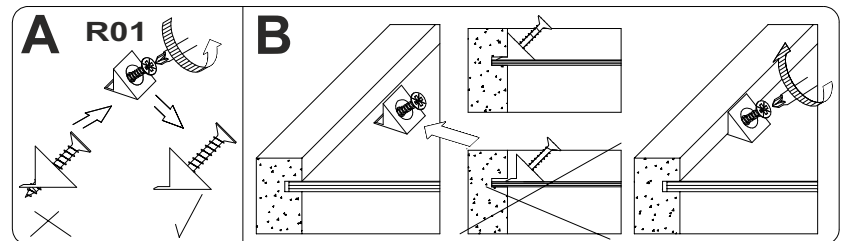
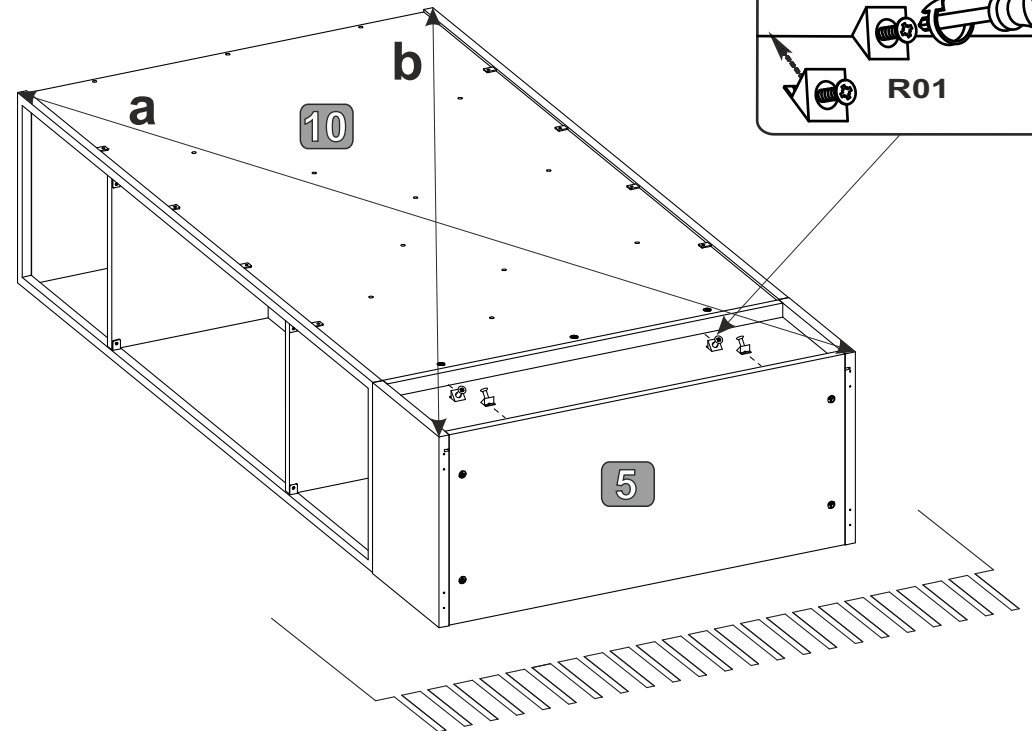
18



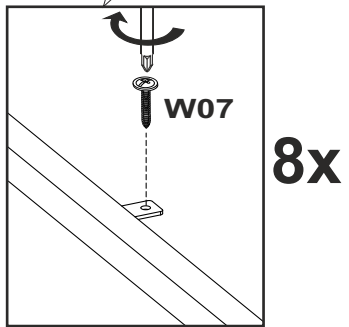
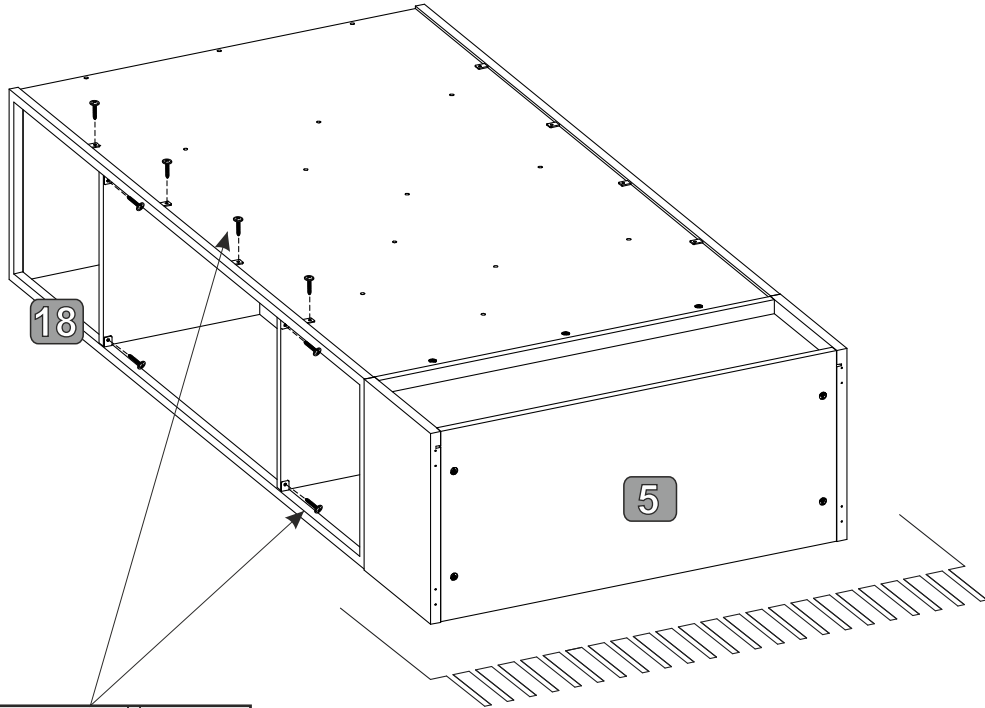
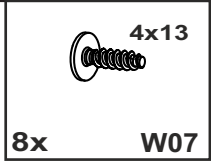
19



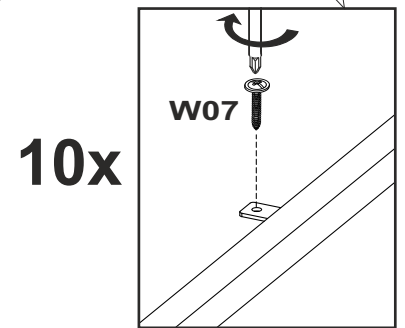
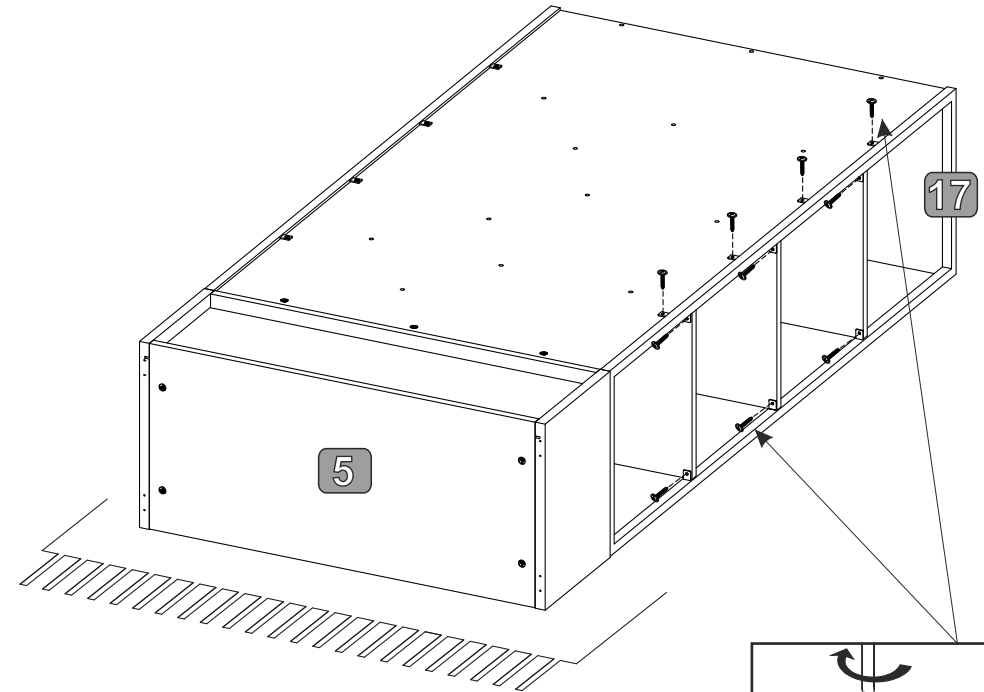
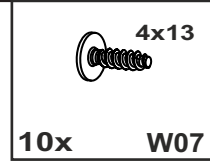
a=b



20



21



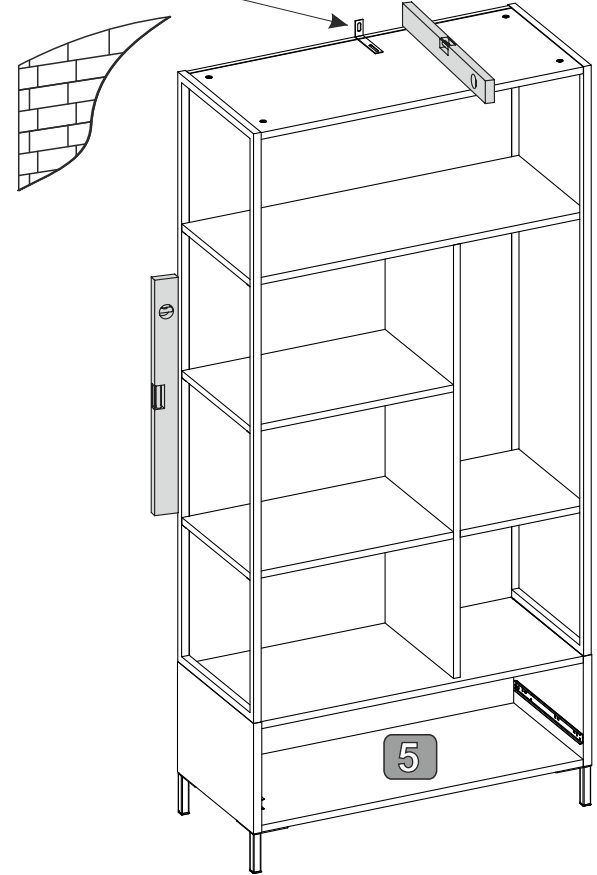
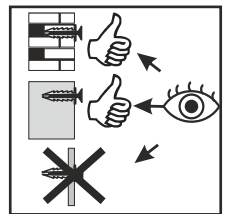
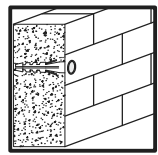
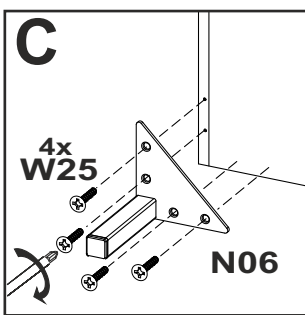
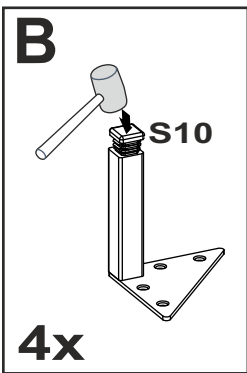
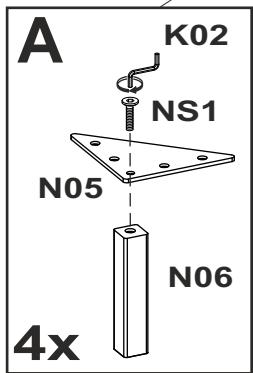
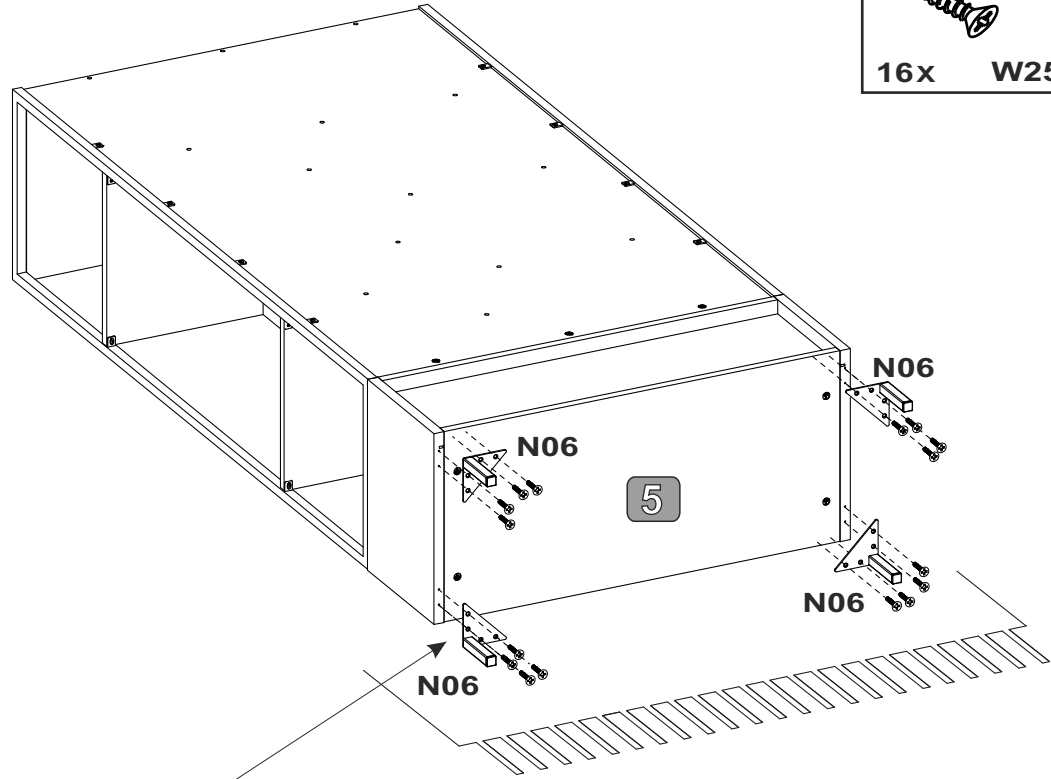
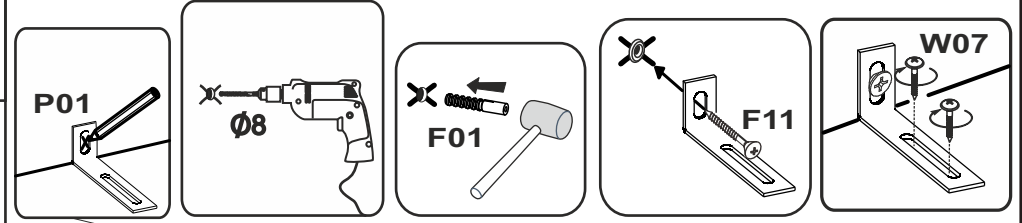
22

- 4x N06 (97mm)
- 4x S10
- 4x NS1 (M5-20)
- 4x N05
- 1x K02 (Z3)




- 16x W25 (4x16)

23

- 1x F11 (5x70)
- 1x F01
- 1x P01
- 2x W07 (4x13)



24

1x		2x		2x	
	S42		W28		W02

