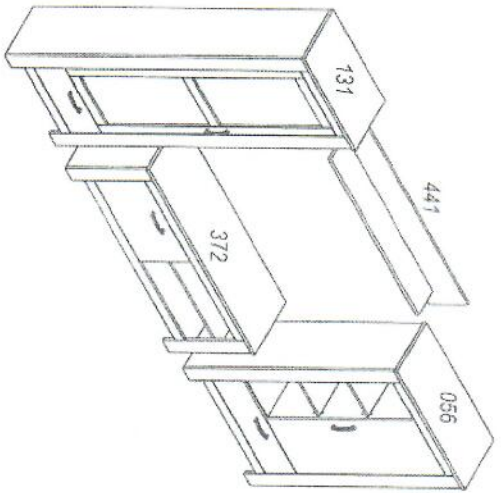
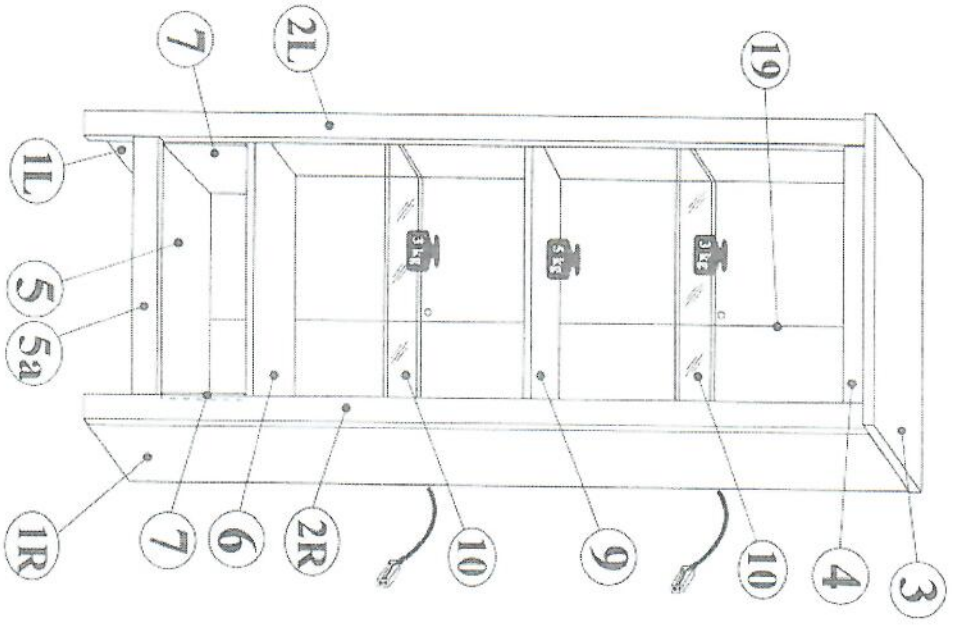
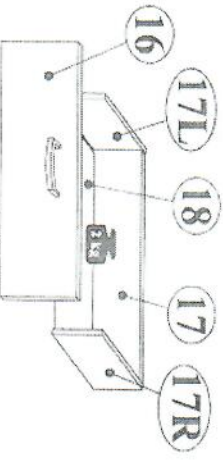
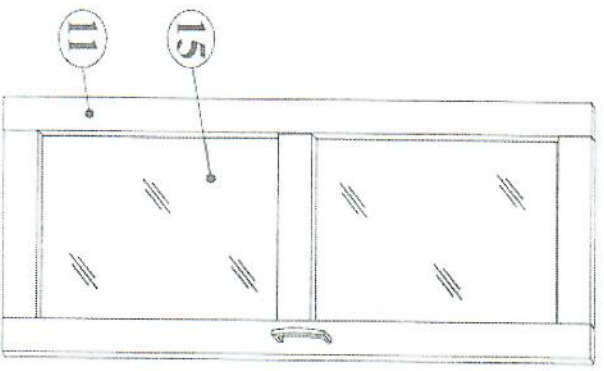

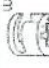



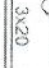







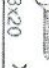
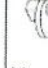
FRIDA P6--FR 131



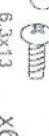
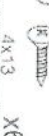



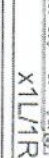





1L,1R	1924	352	2	2/3
2L,2R	1924	90	2	2/3
3	680	376	1	2/3
4	492	60	1	2/3
5	640	332	1	2/3
5a	492	60	1	2/3
6	640	332	1	2/3
7	198	332	2	2/3
9	640	320	1	2/3
10	639	310	2	2/3
11	1514	487	1	2/3
15	1423	397	1	2/3
16	487	200	1	2/3
17L,17R	302	100	2	2/3
17	423	100	1	2/3
18	434	300	1	2/3
19	1804	648	1	2/3


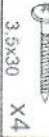



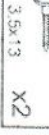
NR 1	
B1  Ø 9x28 X20	
M1  Ø15x12mm X12	
T1  5x3,9mm X12	
J23  X16+2	
C14  Ø4,1x11mm X8	
S6  3x20 X12	
W8  X4	
W2  X8	



NR 2	
F33  X16	
P13  3,5x13 X64	
F15  X4	
S6  3x20 X12	
G5  X12	

NR 3	
YR  X3	
D7  H1 X3	
E3  6,3x13 X6	
S8  4x13 X6	

NR 4	
R27  L=300 mm X1L/R	
E24  6x11 X6	
P10  3x13 X4	
S3  3,5x13 X2	
M2  Ø12x10mm X2	
T2  5x3,5mm X2	
P5  4x30 X4	

NR 5	
U168  X2	
P14  3,5x30 X4	

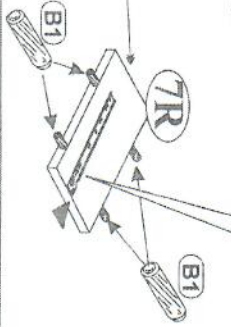
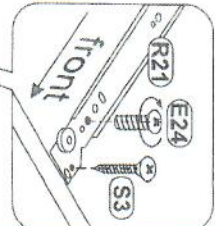
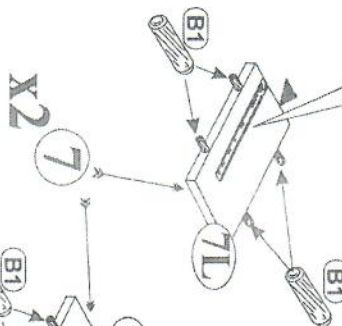
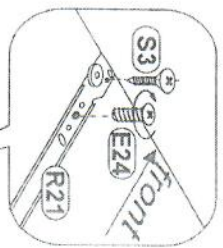
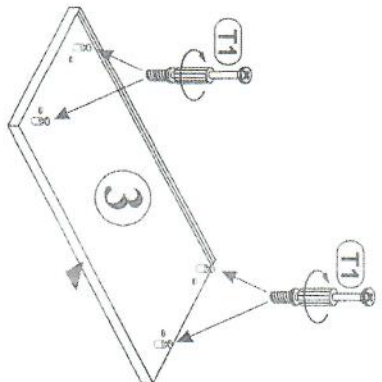
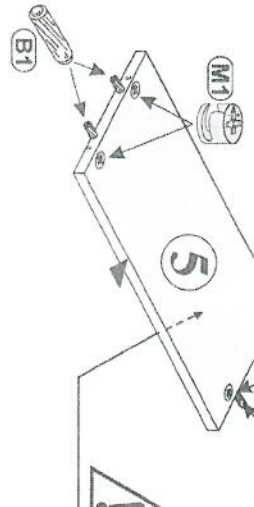
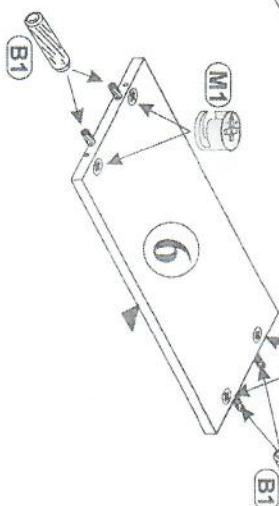
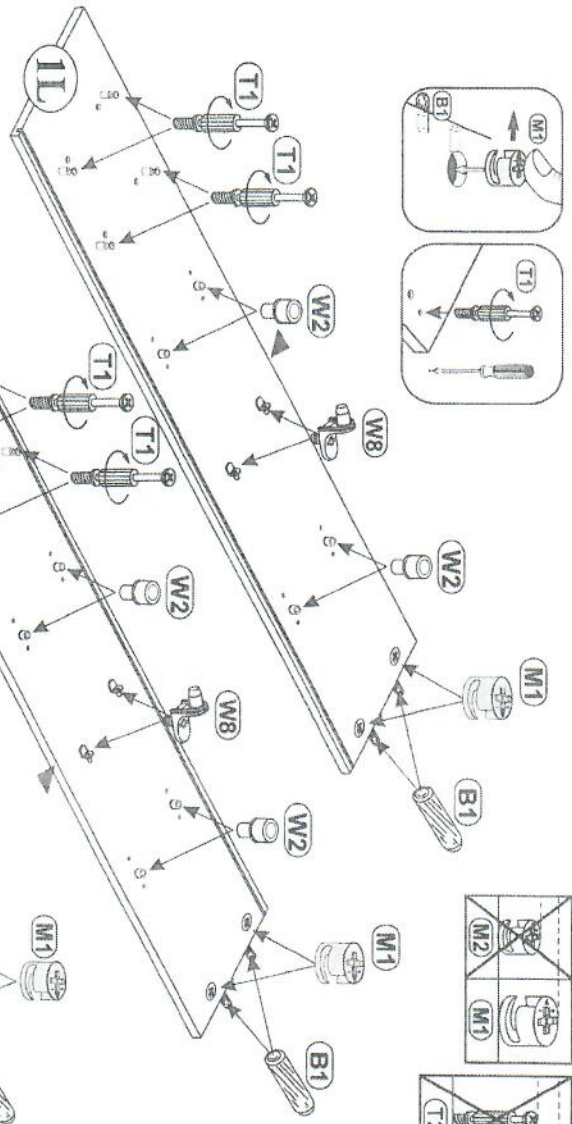
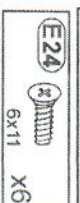
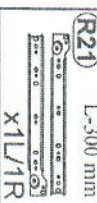
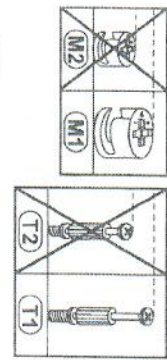
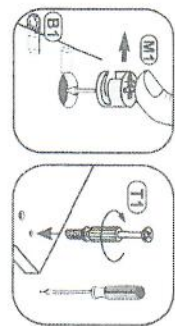
NR 6	
J19  X1	
P13  3,5x13 X2	

NR 7	
O21  X1	
O20  X2	

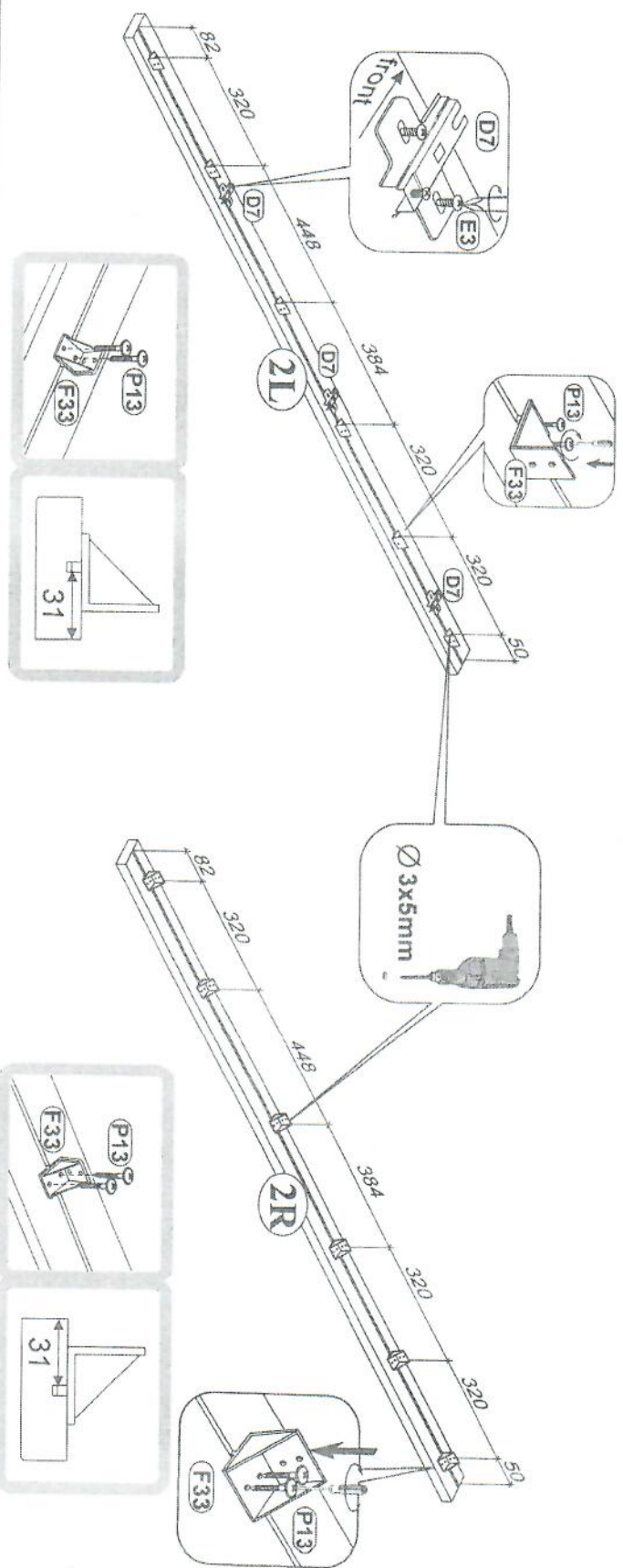
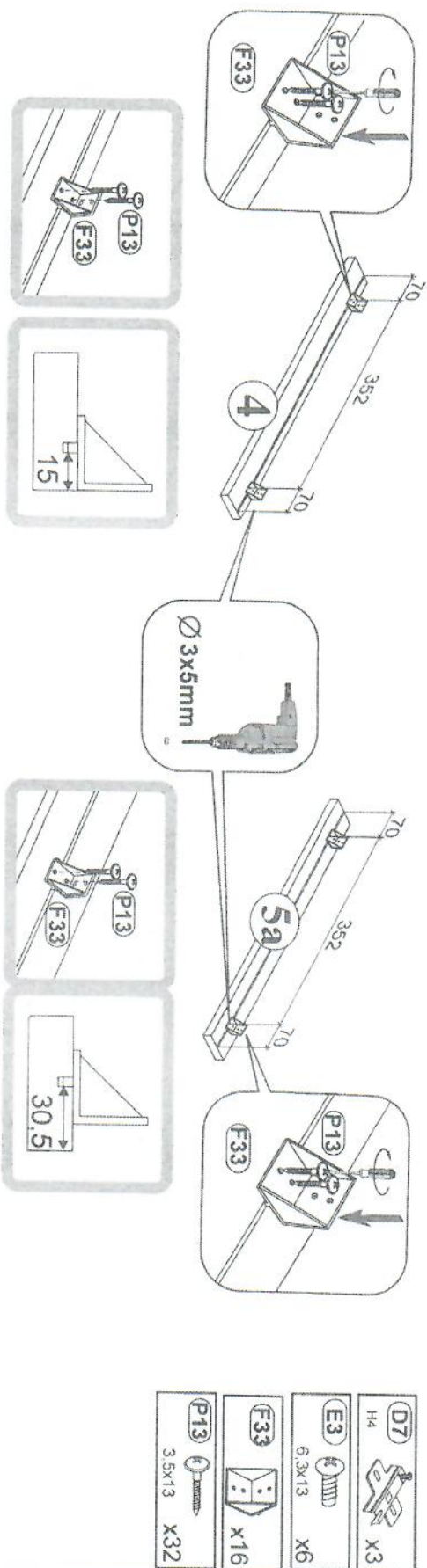


FRIDA P6--FR 131

1

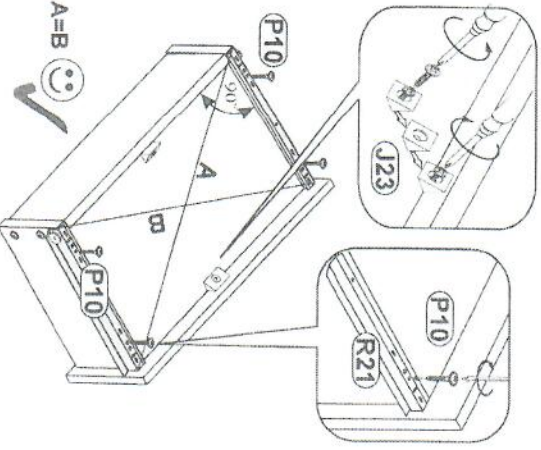
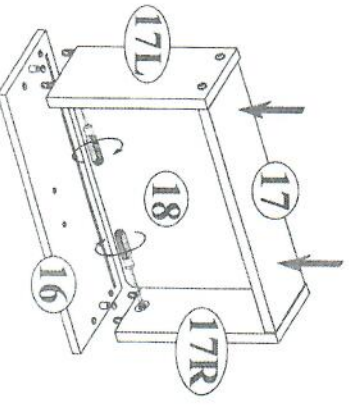
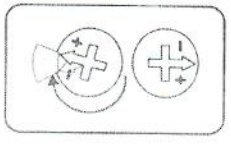
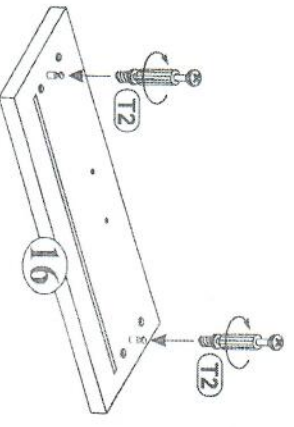
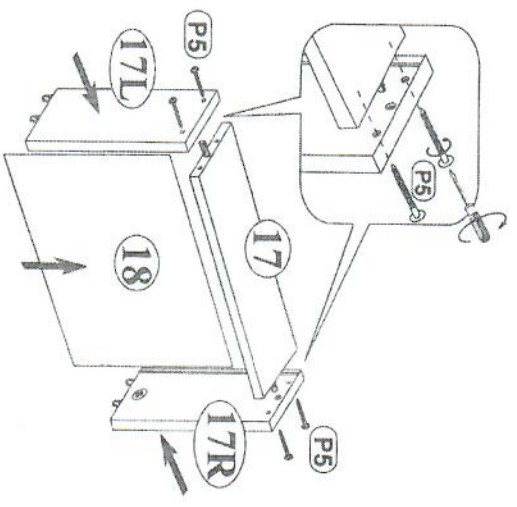
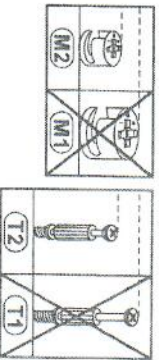
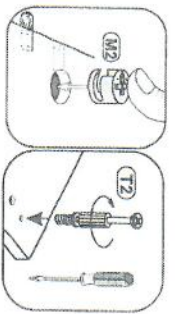
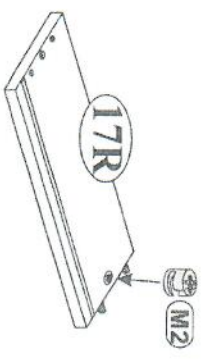
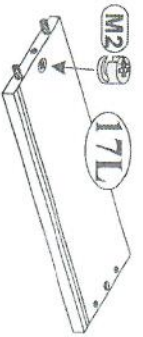


2



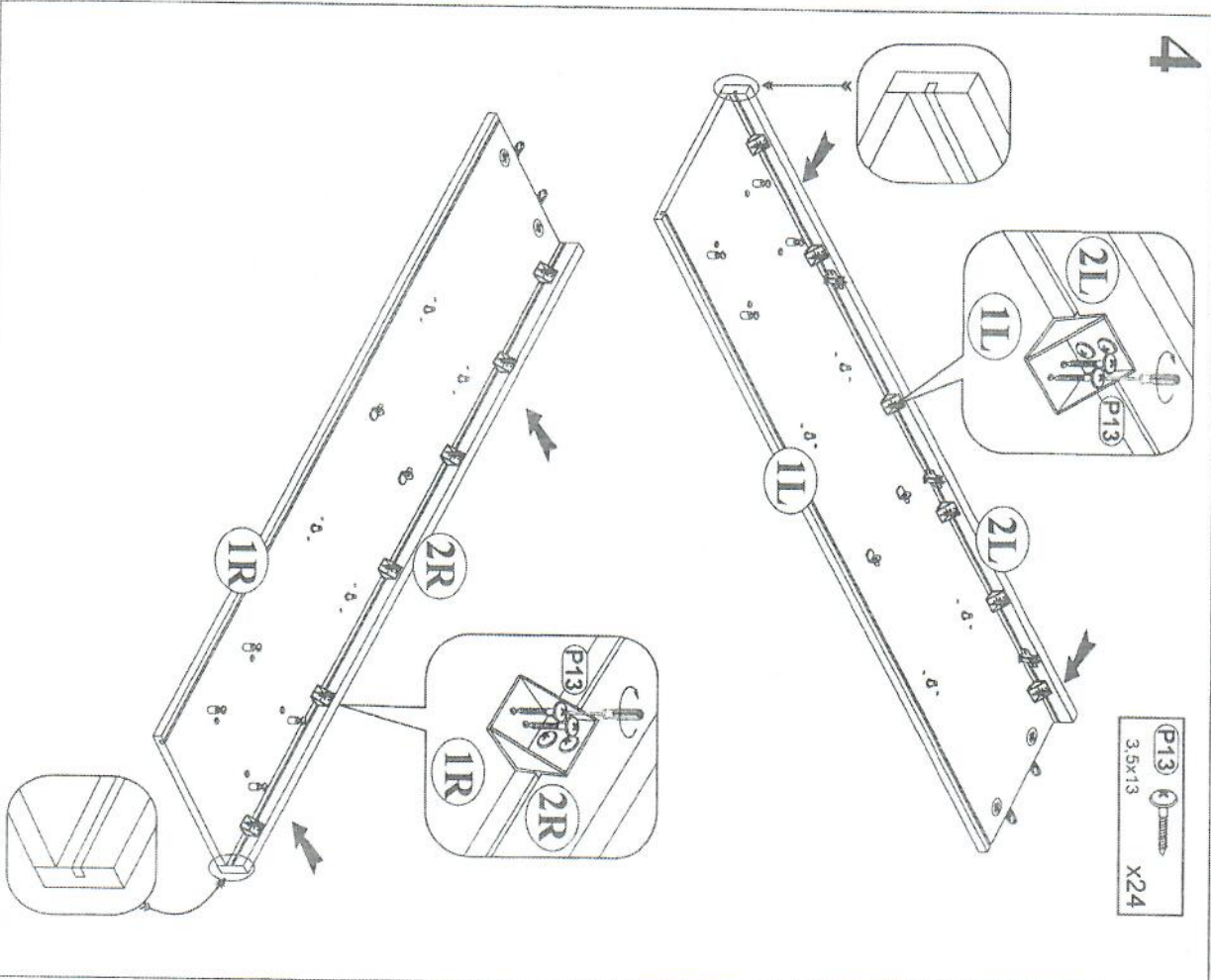
FRIDA P6-FR 131

3

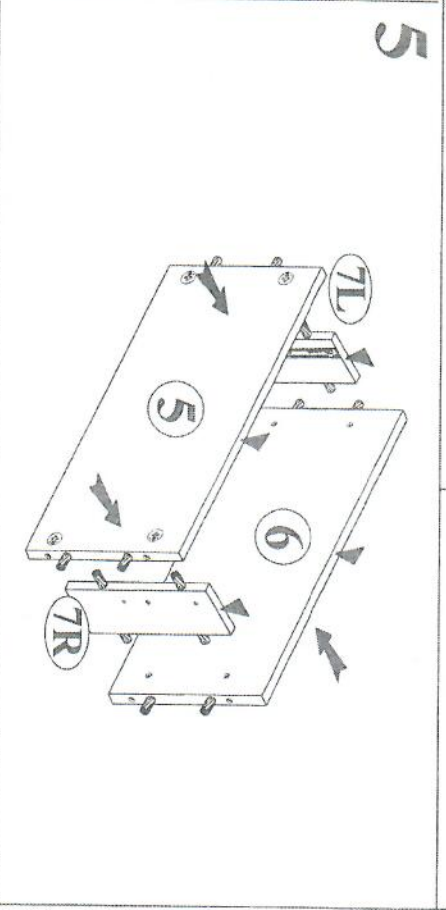


	L-300 mm	X2
	X1/L/R	X4
	3x13	X4
	4x12x10mm	X2
	5x35mm	X2
	4x30	X4
		X2

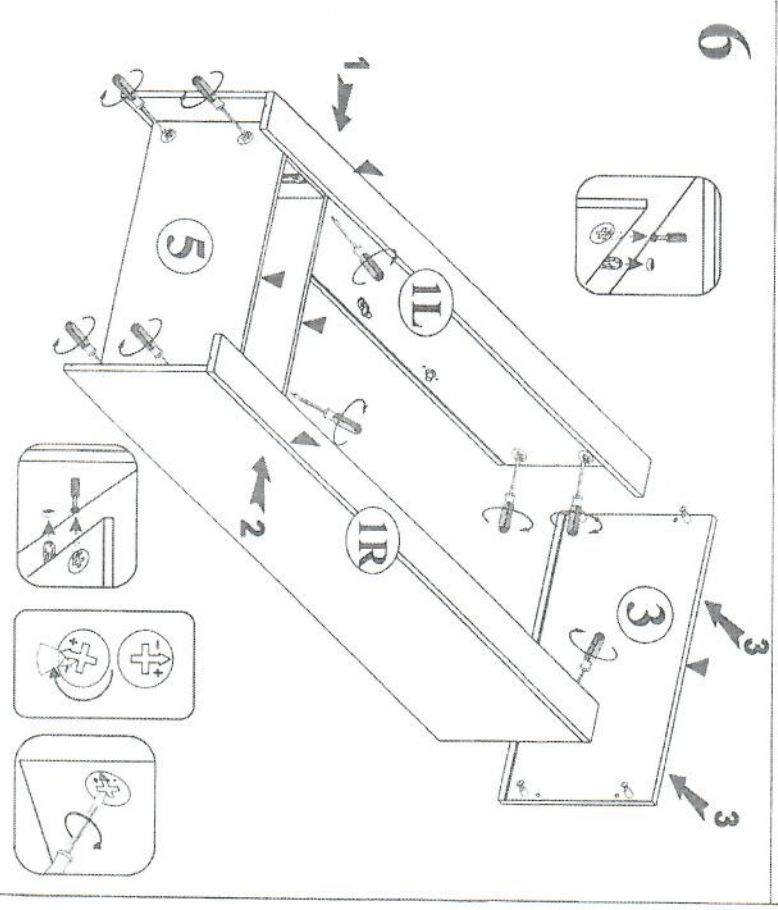
4



5



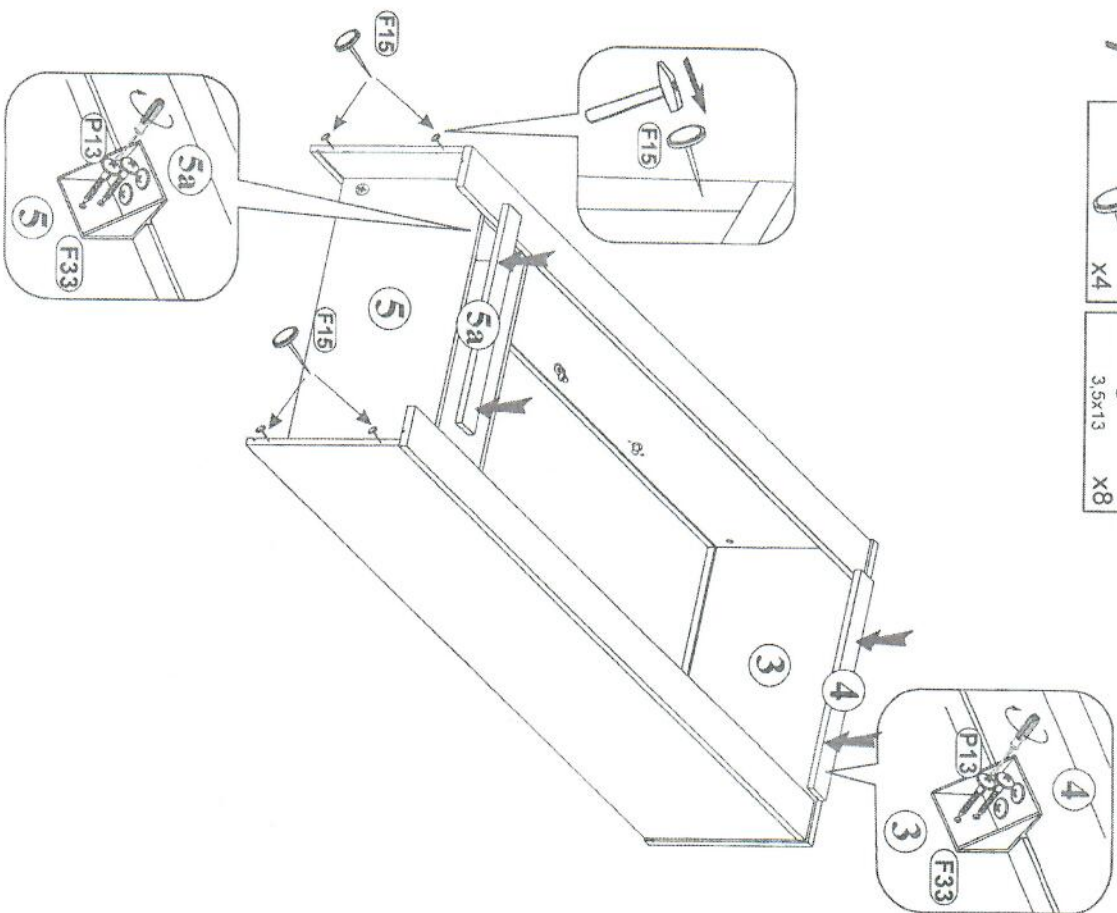
6





FRIDA P6-FR 131

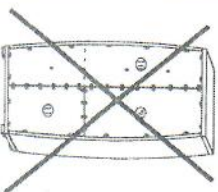
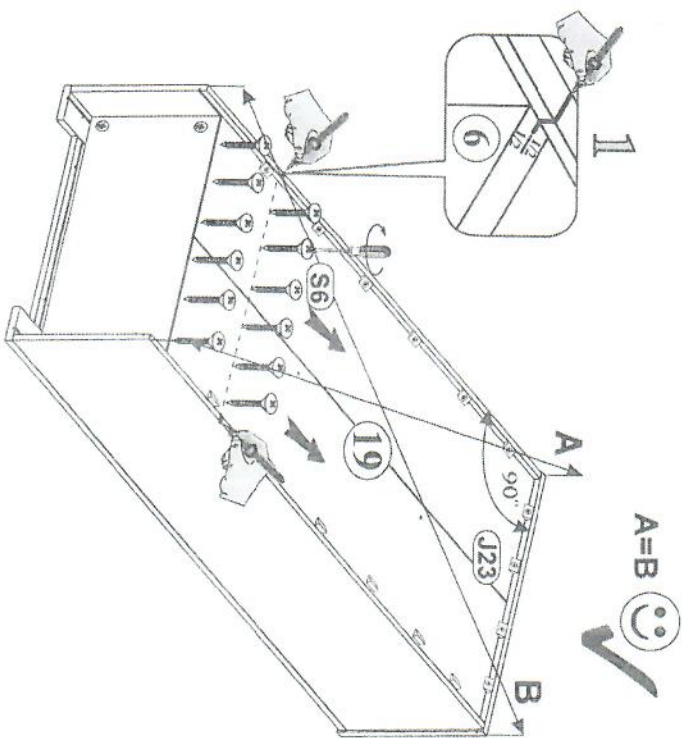
7

- F15**  X4
- P13**  3.5x13 X8



8

- S6**  3x20 X12
- J23**  X16

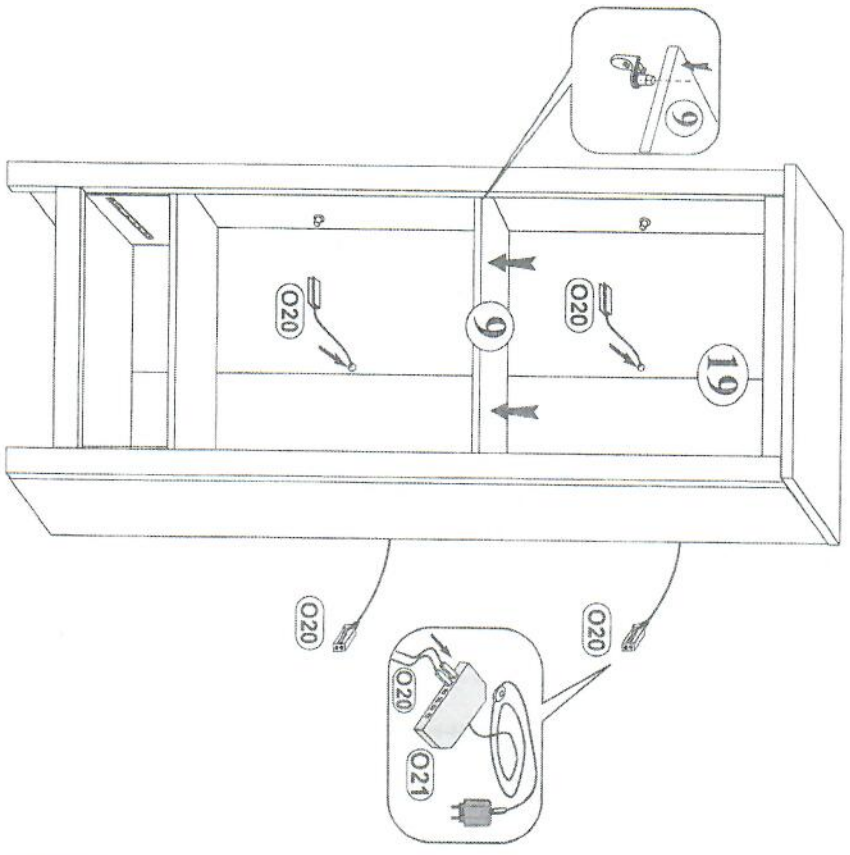
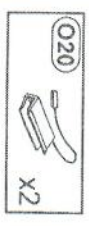


FRIDA P6--FR

131

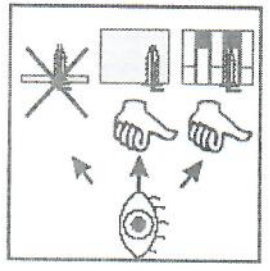
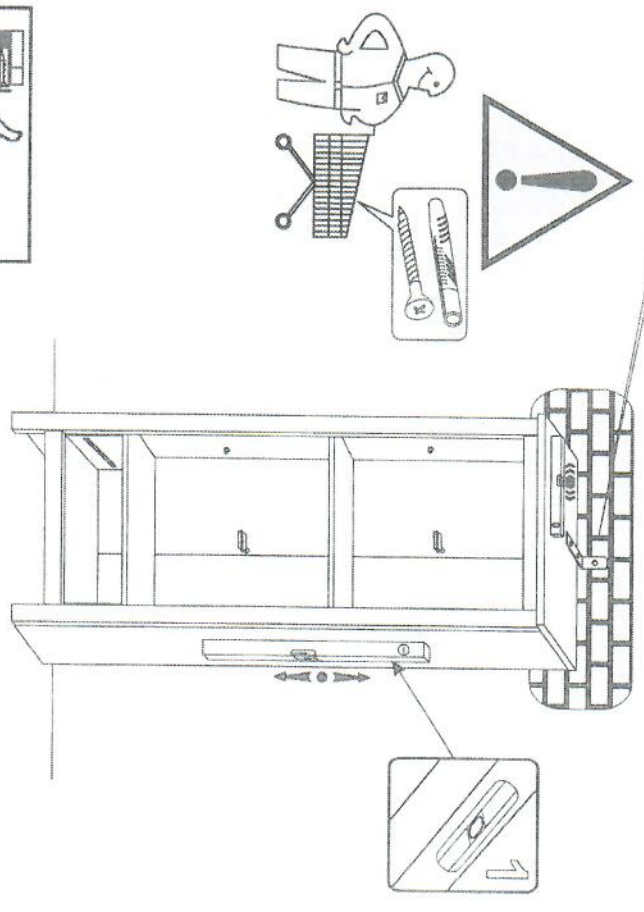
9 / 12

9

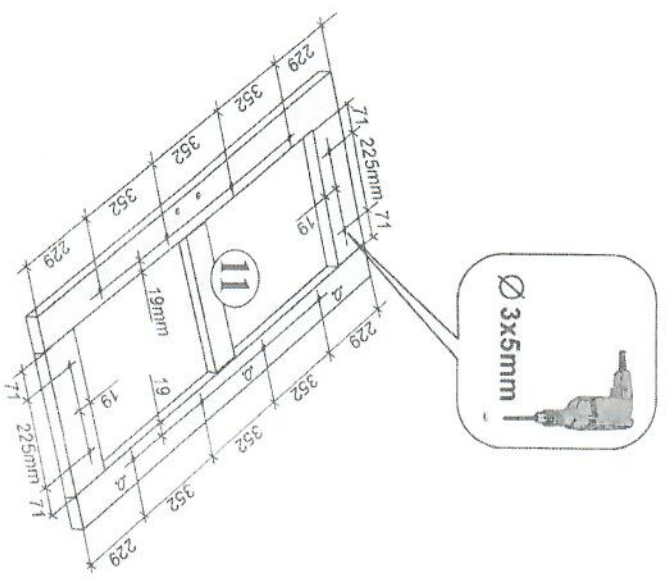


10

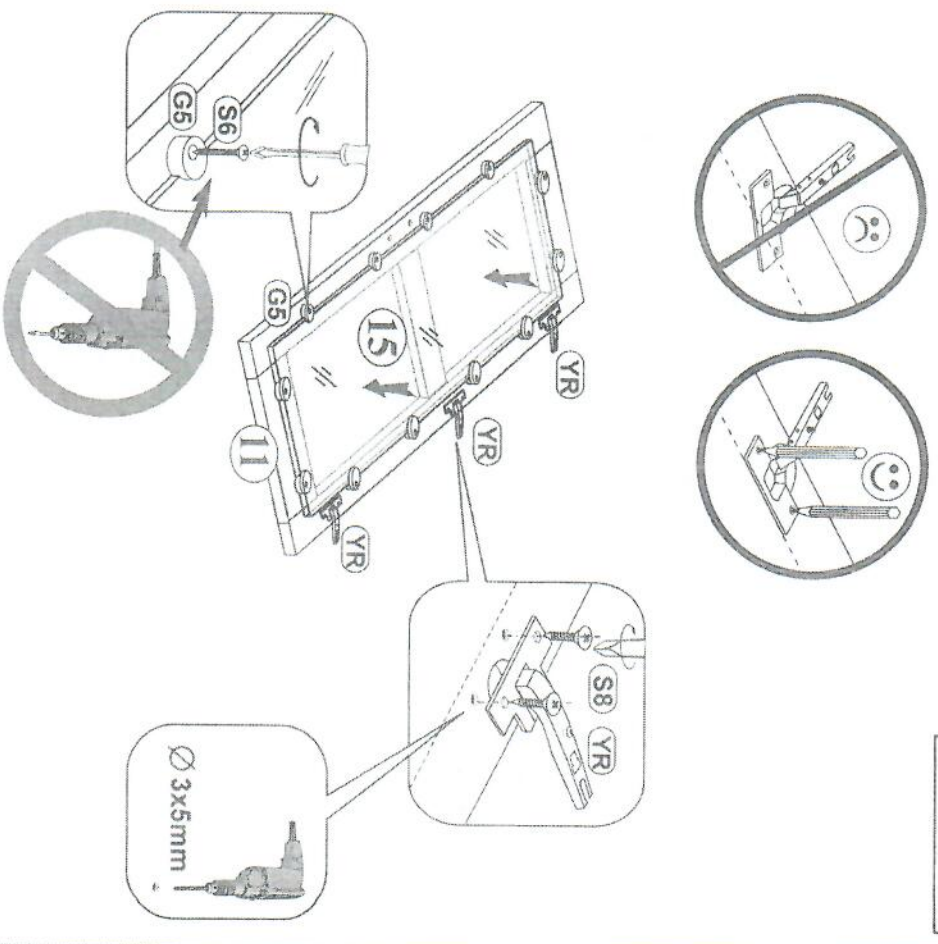
- 1 x1
- 2 x2
- 3 $\phi 8$
- 4 *WIKON*
- 5 x2
- 6 x1



11

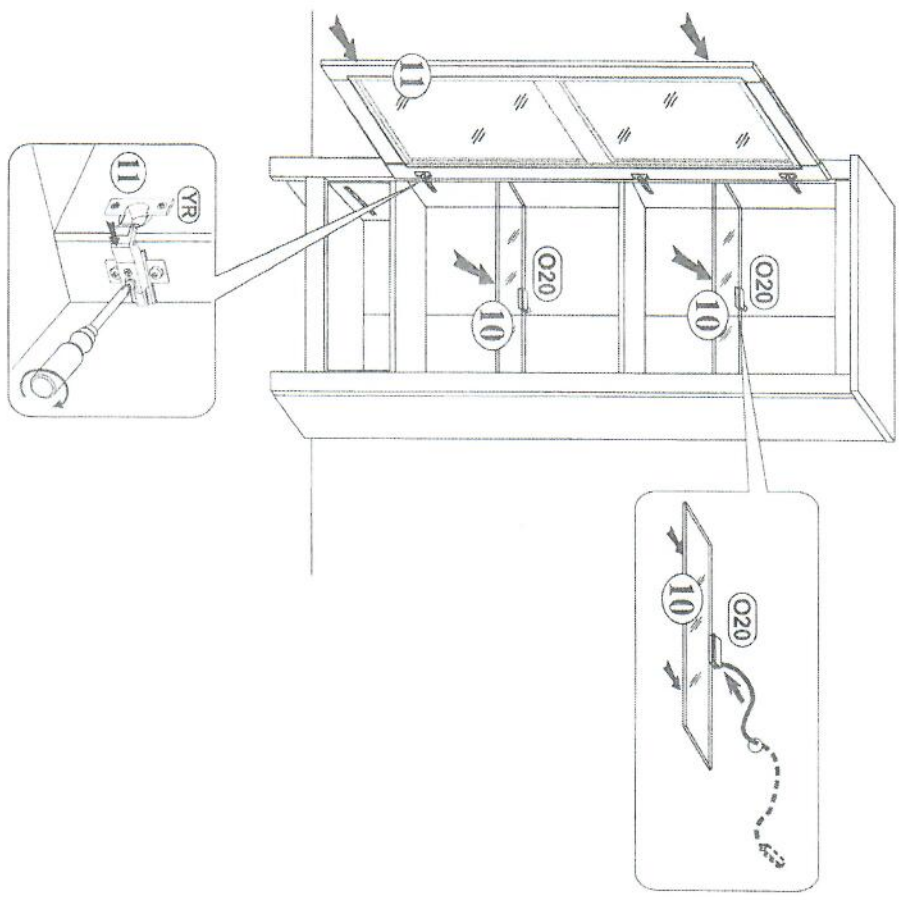


12

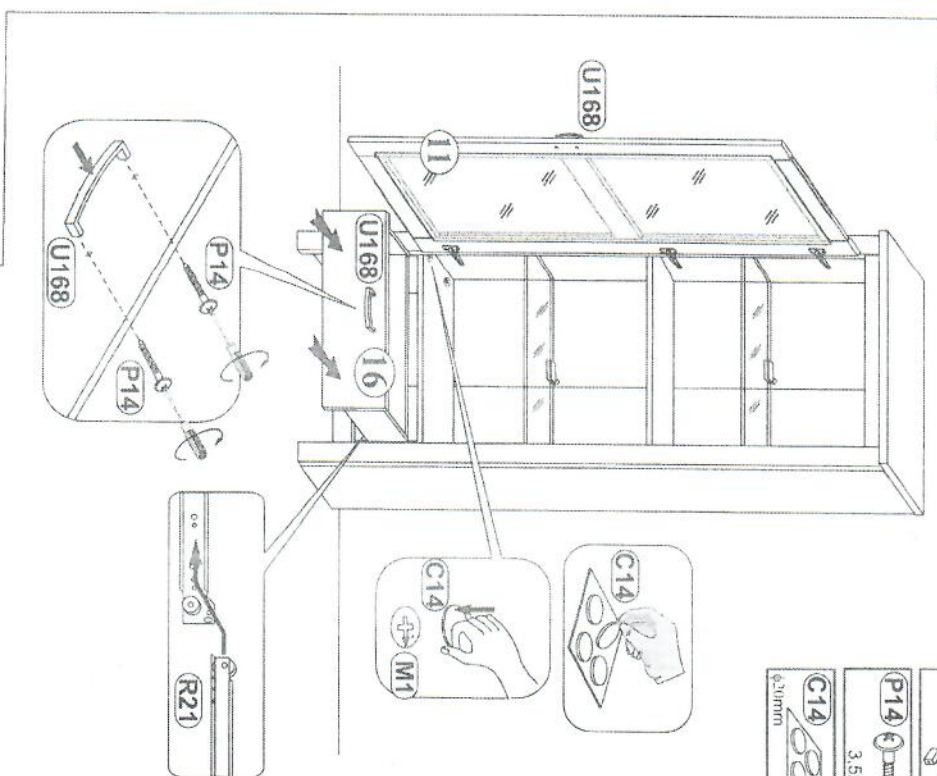





(S6)		x12
(G5)		x12
(YR)		x3
(S8)		x6

13



14



- U168**  X2
- P14**  3.5x30 X4
- C14**  X8

