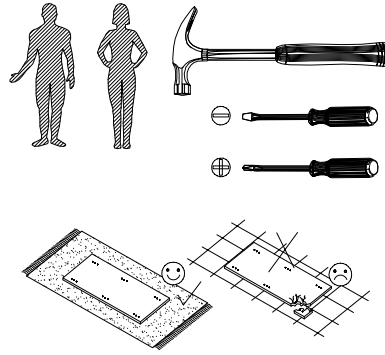
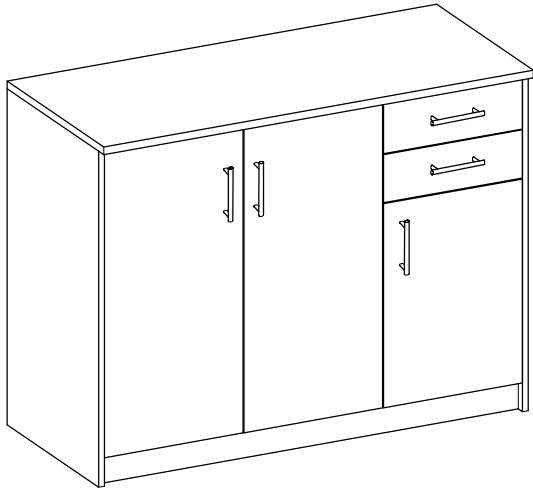
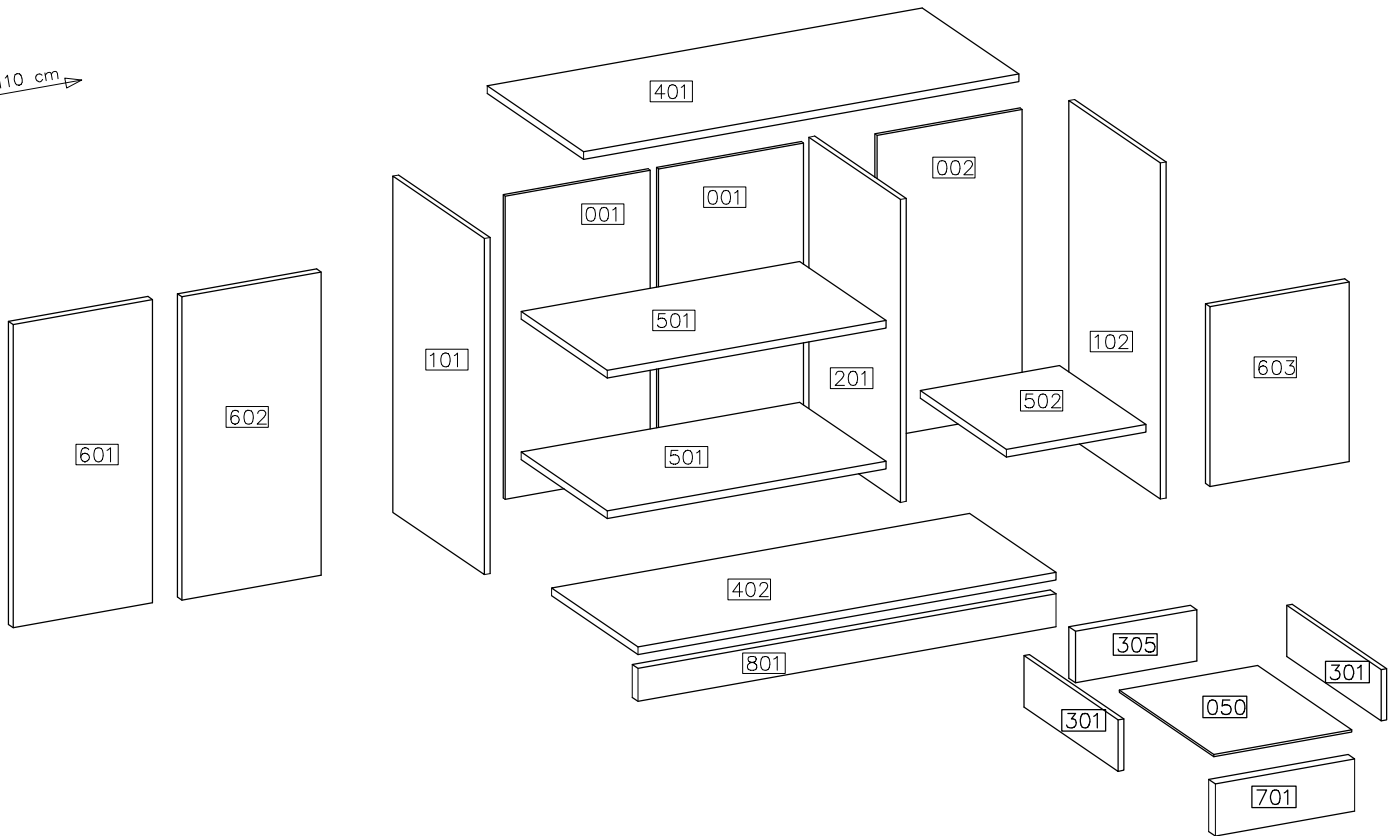
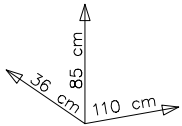


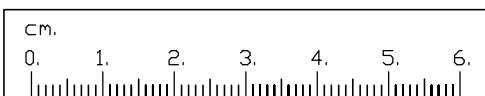
SZAFKA NA BUTY 7



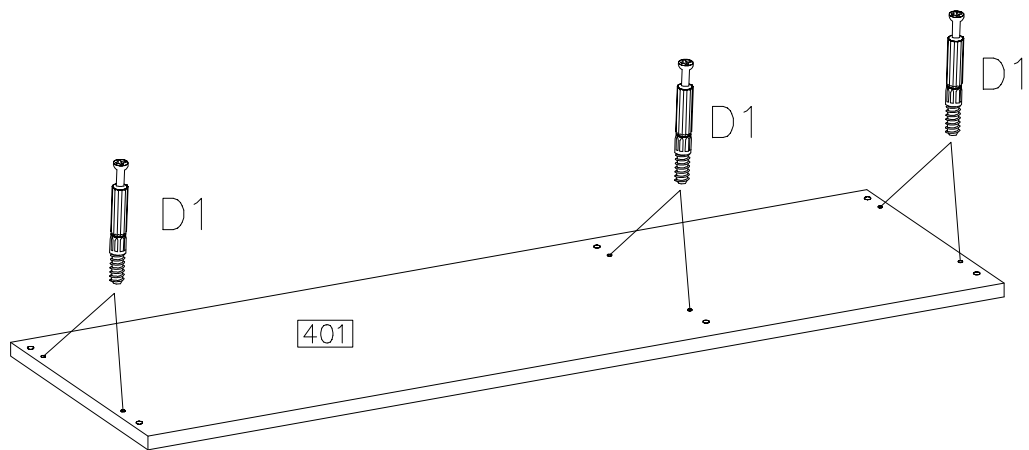
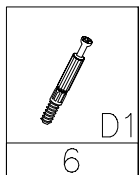
#	ART. NR	QUANTITY
1	401	1
2	402	1
3	101	1
4	102	1
5	201	1
6	501	2
7	502	1
8	001	2
9	002	1
10	801	1
11	601	1
12	602	1
13	603	1
14	701	2
15	301	4
16	305	2
17	050	2



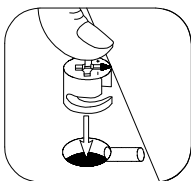
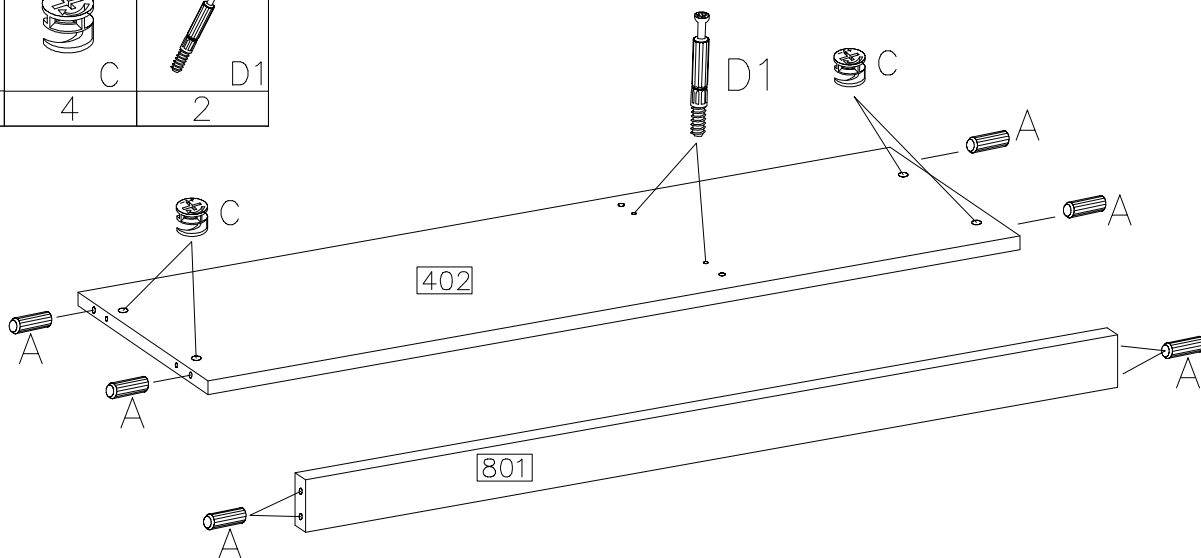
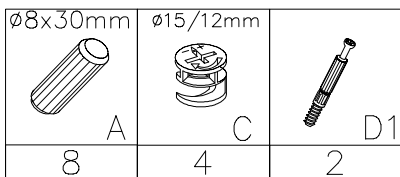
A 32	D1 12	C 12	E 12	F9 4	H=0 H4 6	$\emptyset 35/KR-15$ G6 4	$\emptyset 4.0 \times 16mm$ P1 20	$\emptyset 35/KR-8$ G5 2
F10 60	J4 12	Z1 1	4.0x27mm R2 10	S1 5	L-350 PR 2KPL	3.5x13mm P2 8	F8 5	



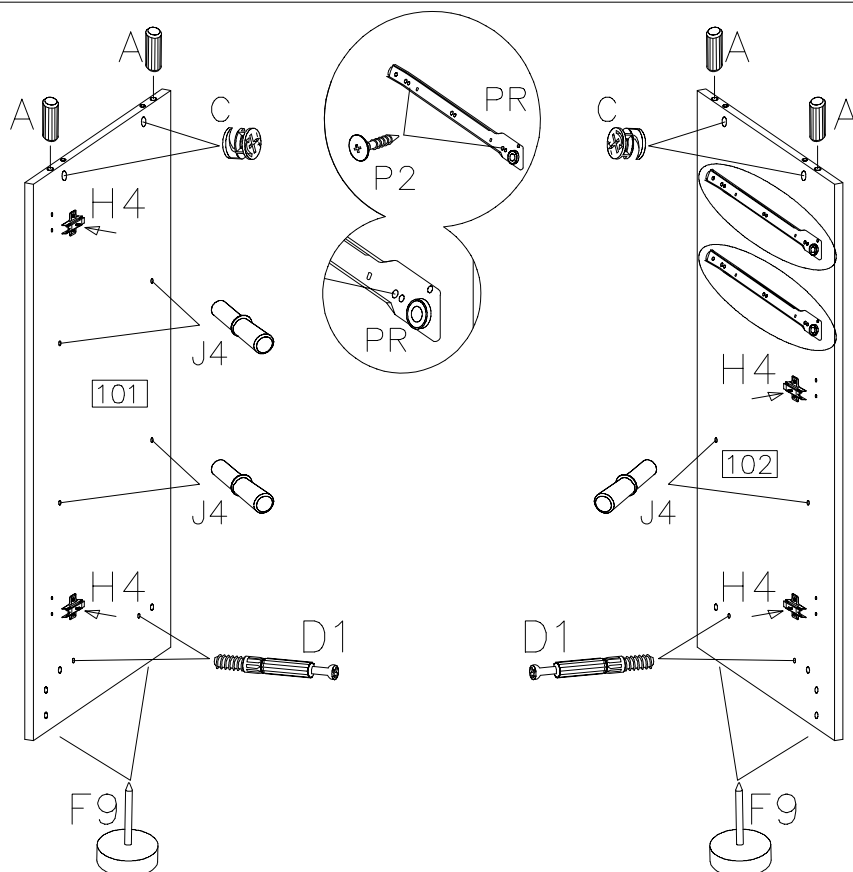
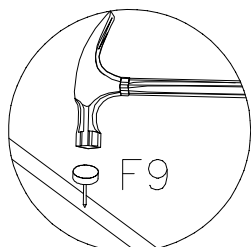
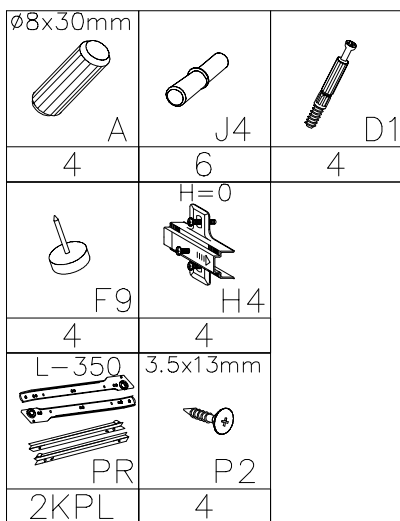
1







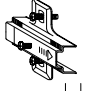

2

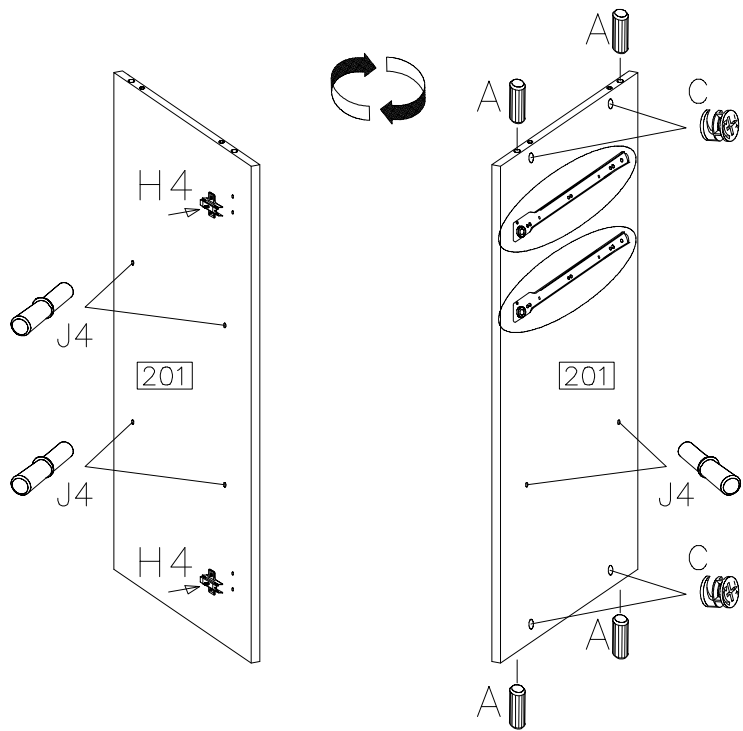
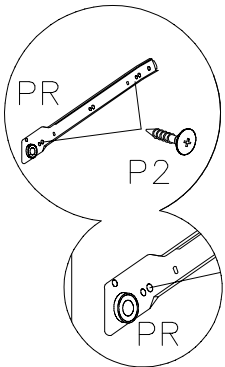


3

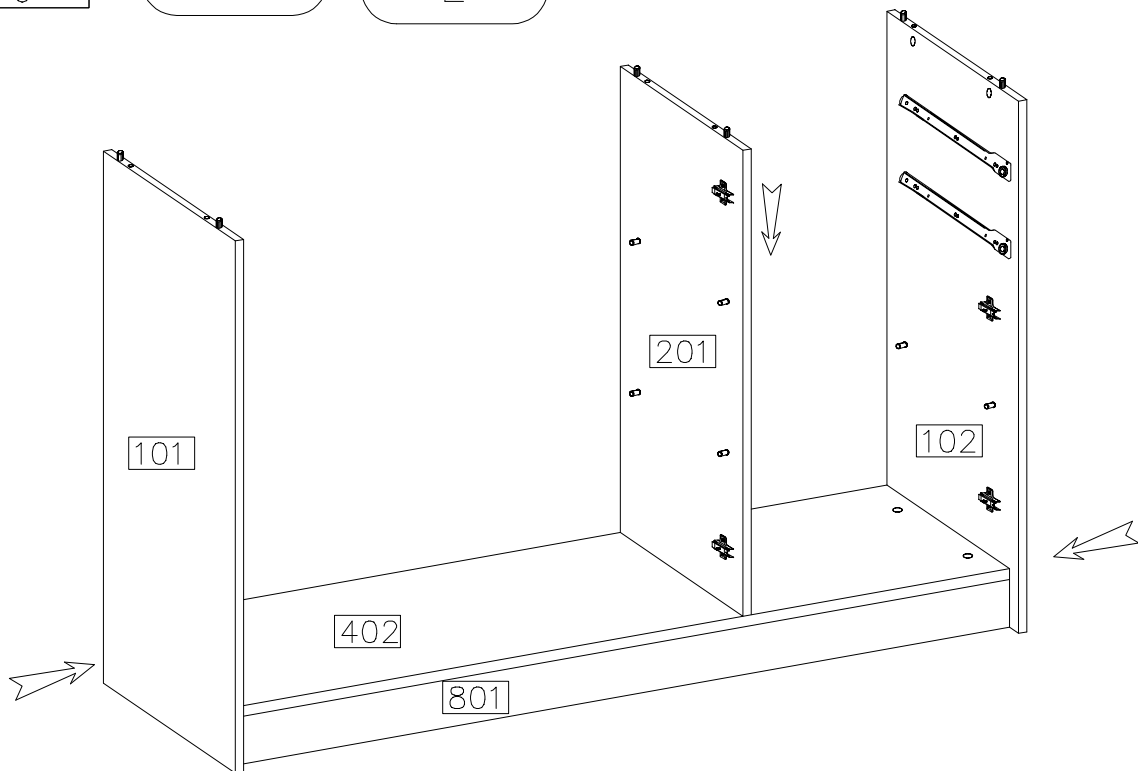
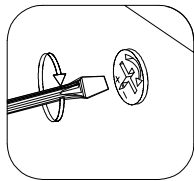
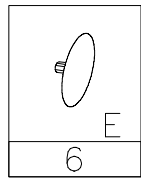


4

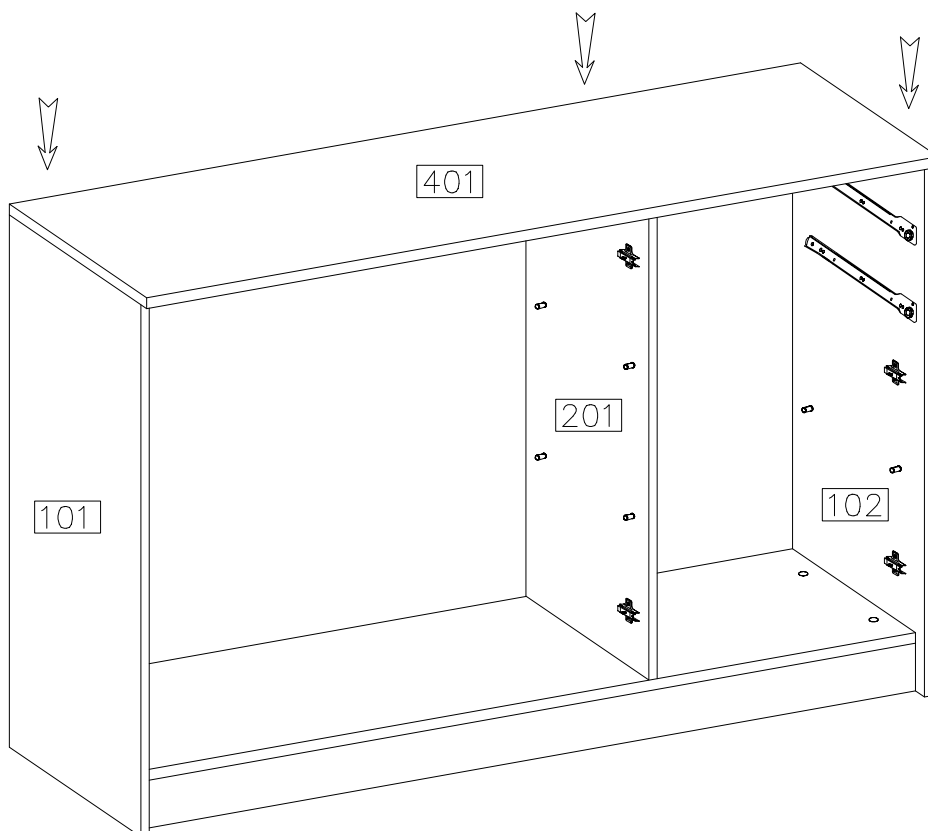
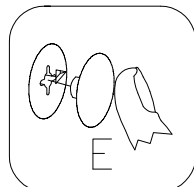
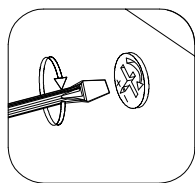
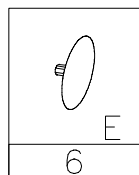
L-350  PR	3.5x13mm  P2
2KPL  A	4  C
4 H=0  H4	4  J4
2	6



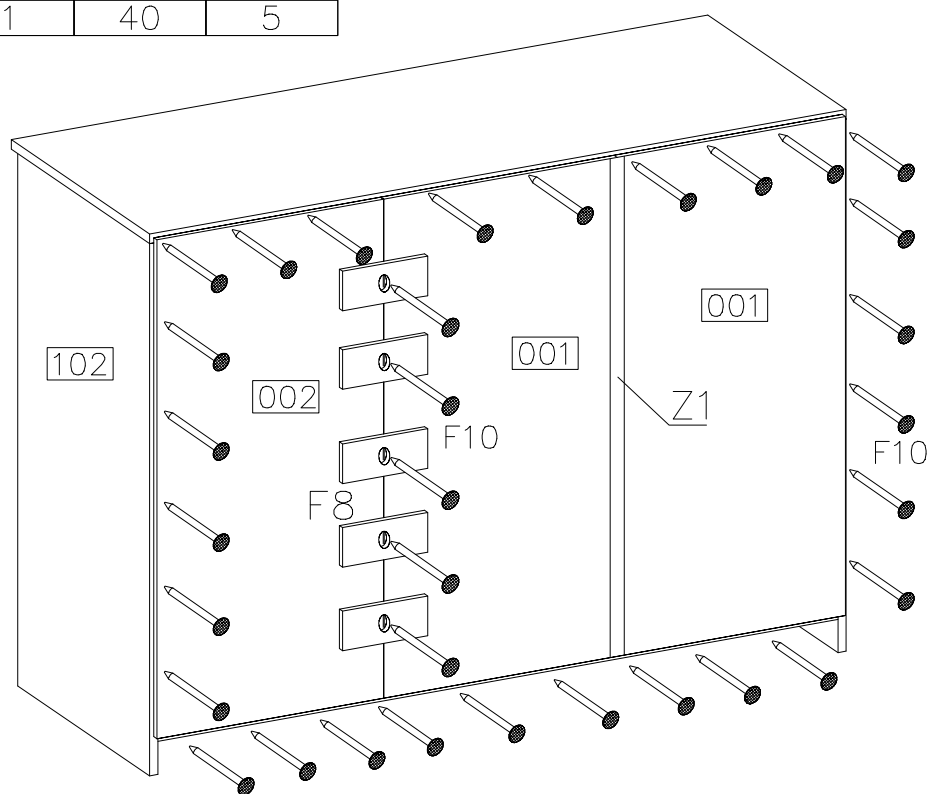
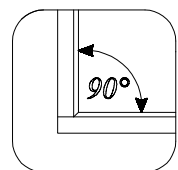
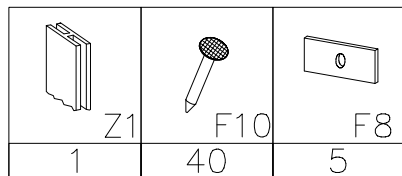
5



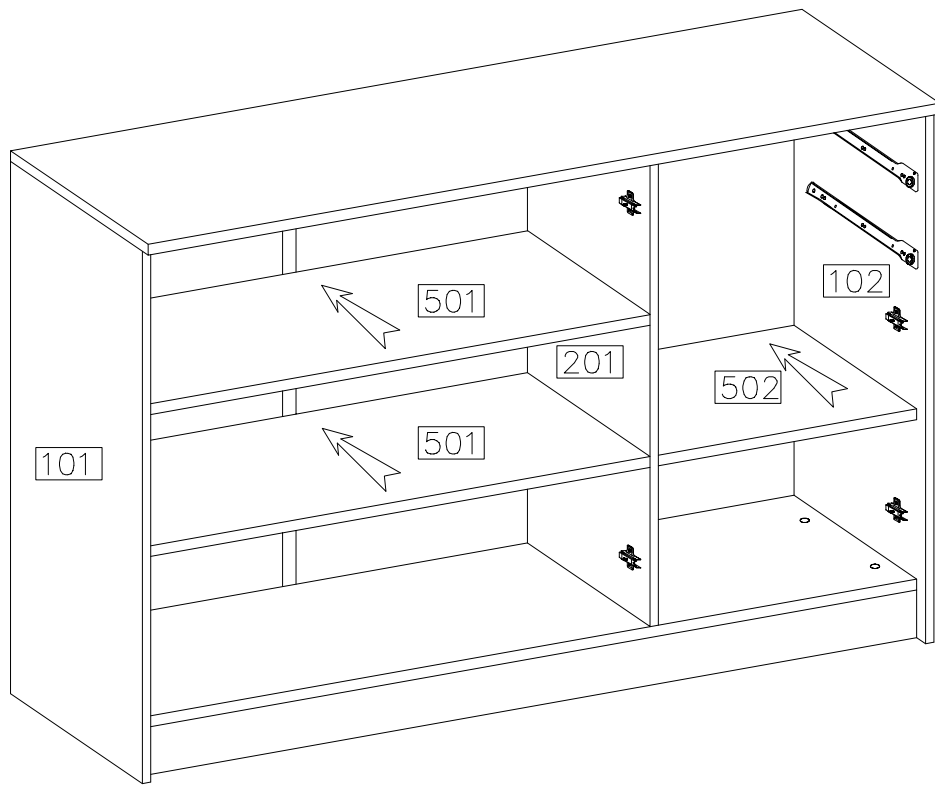
6



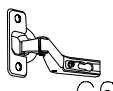



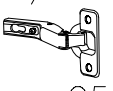
7

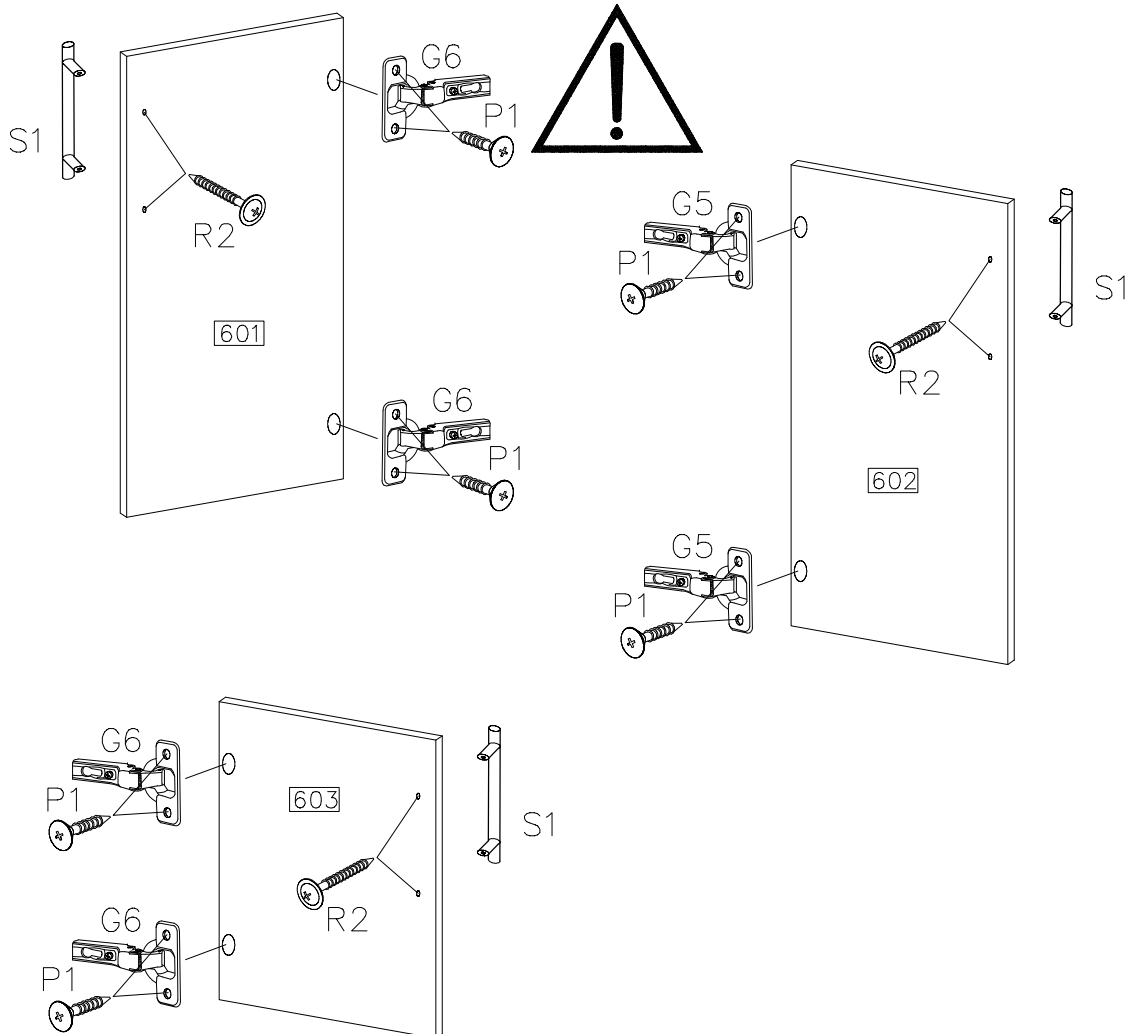


8




9

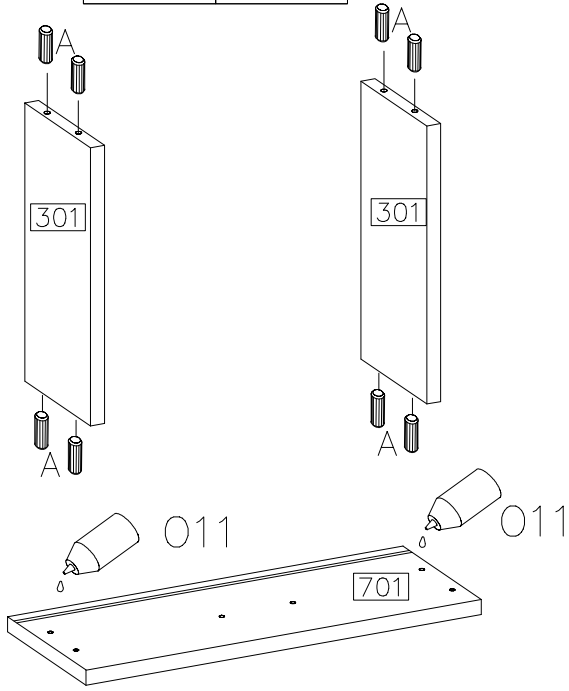
$\varnothing 35/KR-15$	$\varnothing 4.0 \times 16mm$
 G6	 P1
4	12
4.0x27mm	
 R2	S1
6	3
$\varnothing 35/KR-8$	
 G5	
2	





10

	Ø8x30mm
011	A
1	16

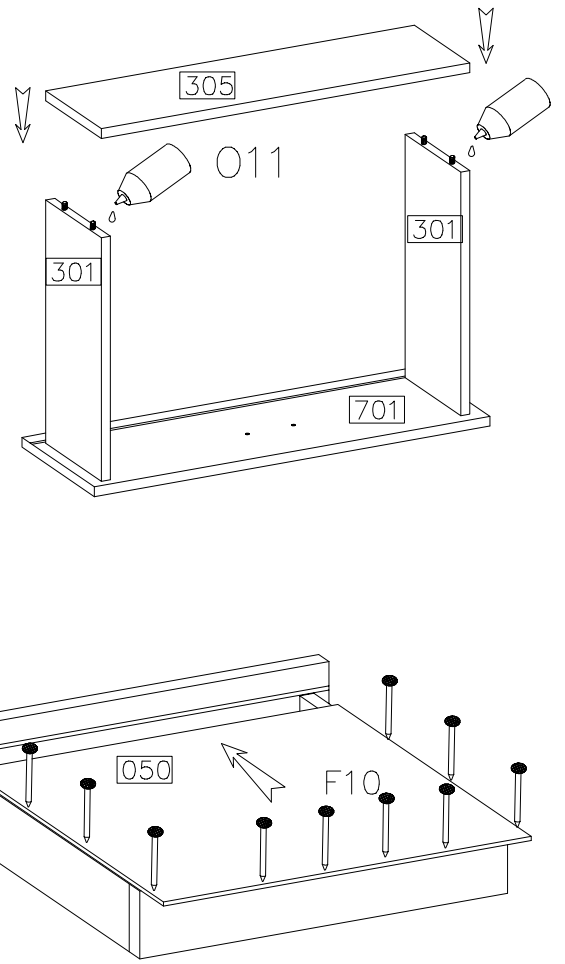
2x




11

	F10
20	
	011
1	

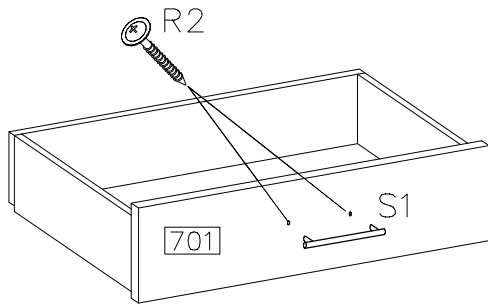
2x




12

	4.0x27mm
S1	R2
2	4

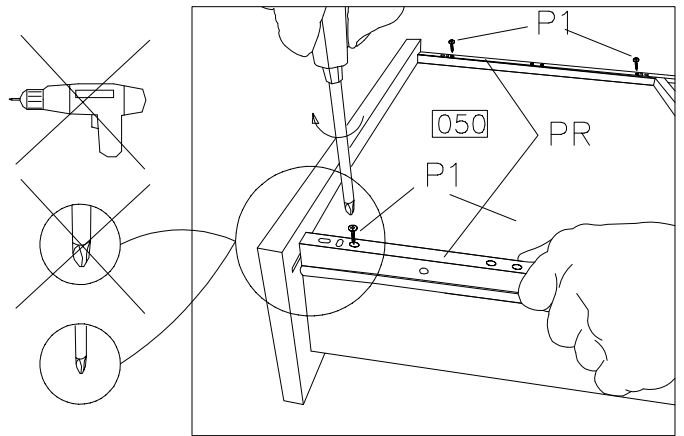
2x



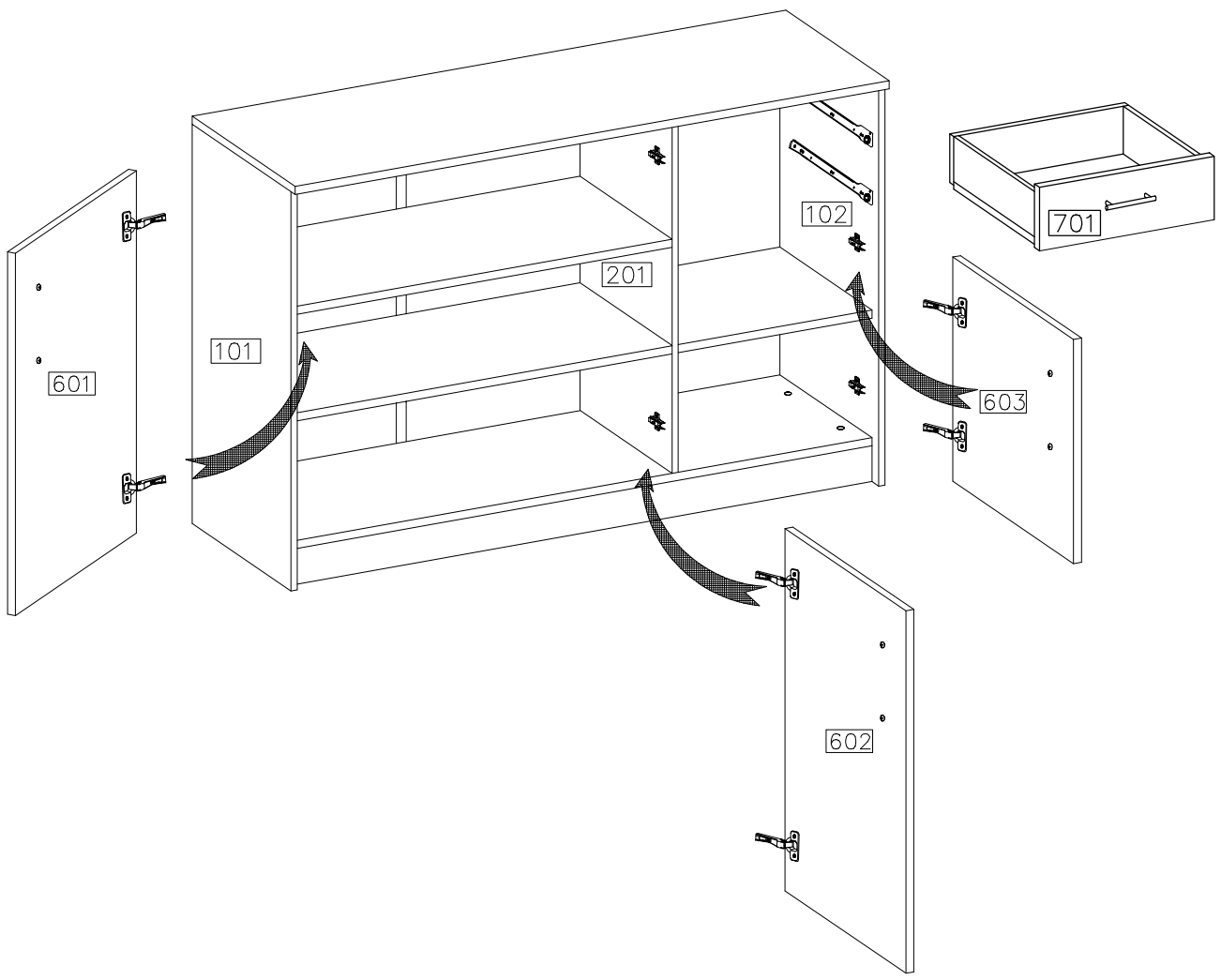
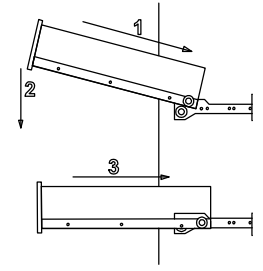
13

	Ø4.0x16mm
PR	P1
2KPL	8

2x



14



15

