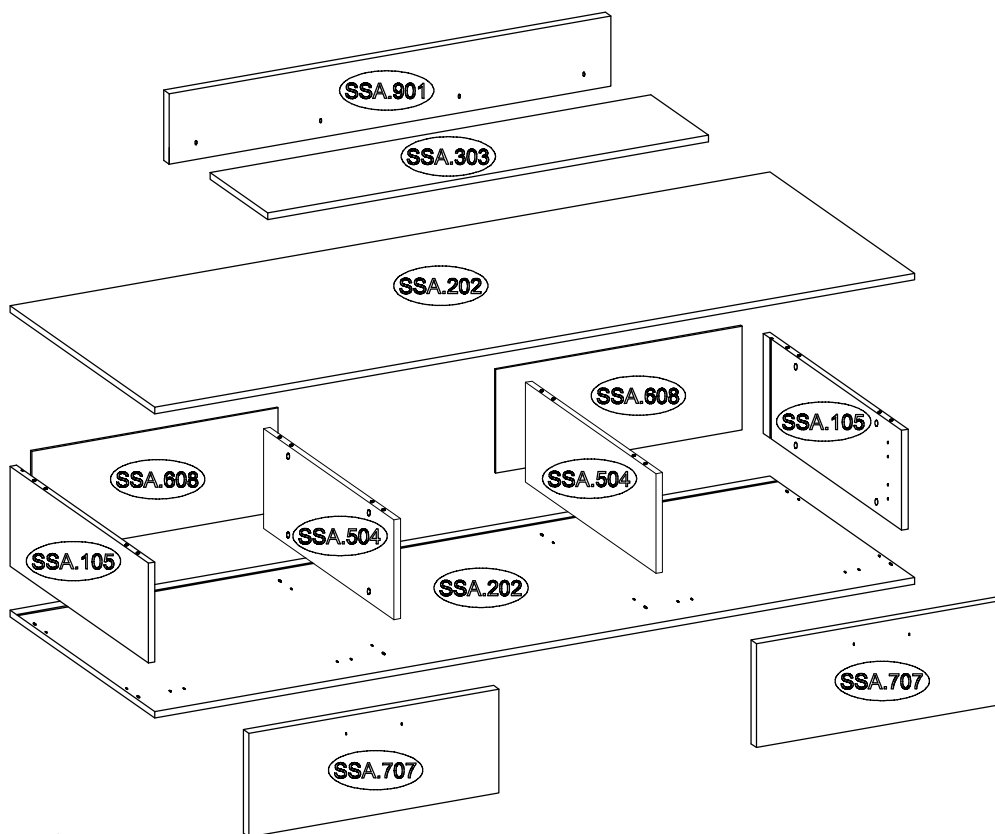
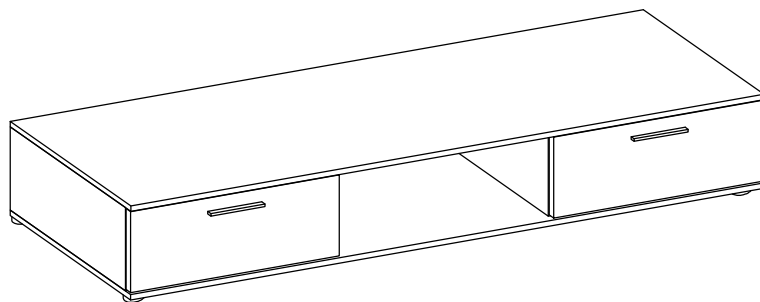
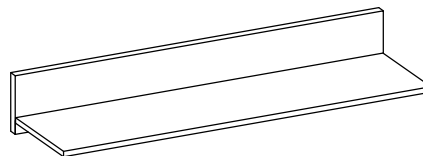


# SALSA

## Typ 318




1B	L=128mm	+4.0x30mm
	2	4

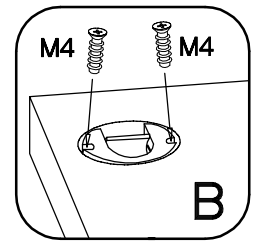
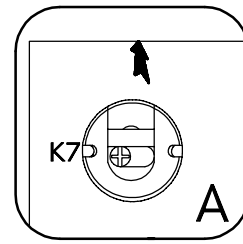
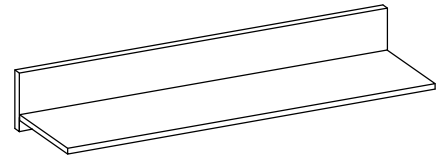
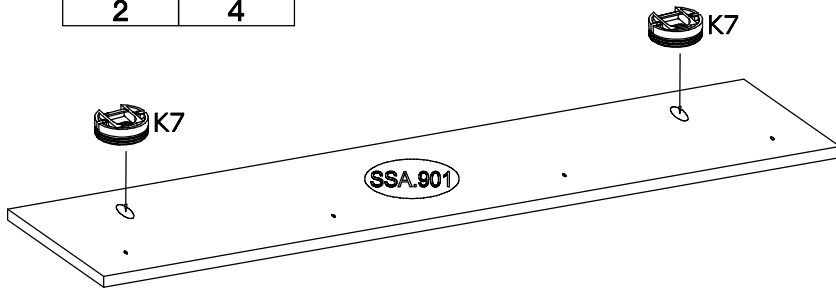
2B	H=0	+35/16mm	+3.5x13mm
	4	4	8

3B		+6.3x9mm		6,4 x 50mm	5/45mm	+10x50mm	+15/12mm	+8x30mm	L=20mm	+4.0x25mm
	2	4	1	4	2	2	16	16	16	6


	+3.5x13mm					
6	6	2	4	16	10	4

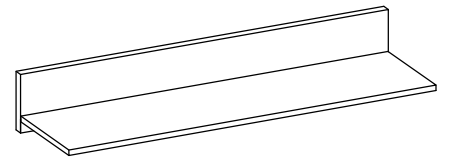
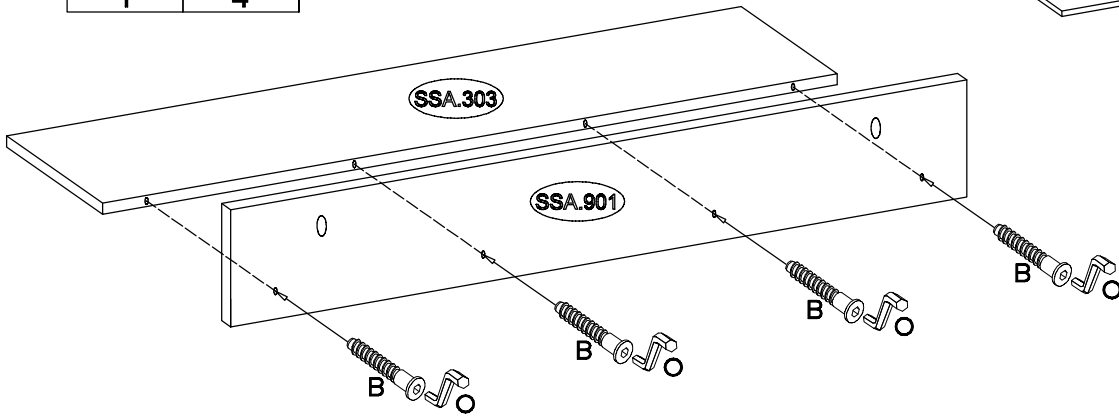
1

	16,3x9mm
K7	M4
2	4

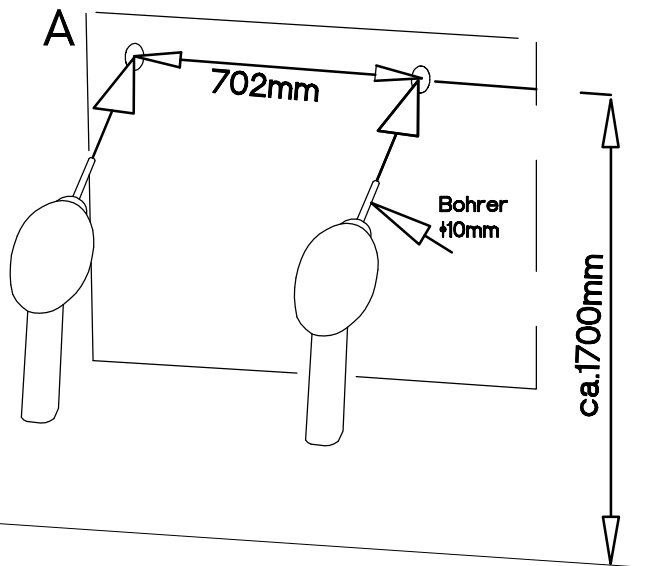




2

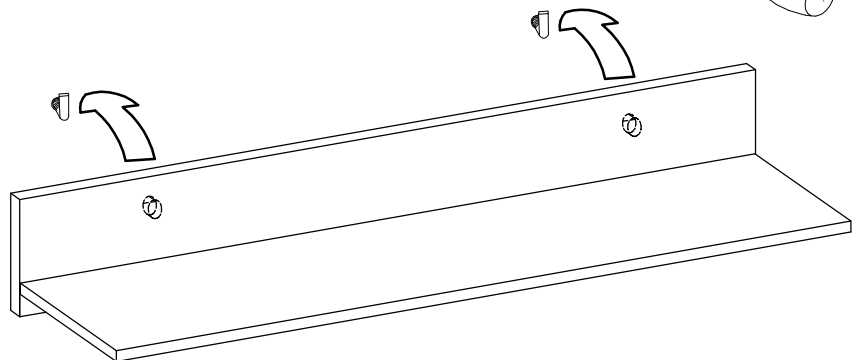
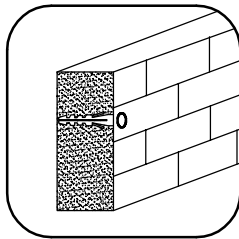
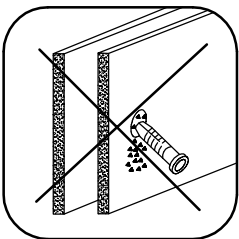
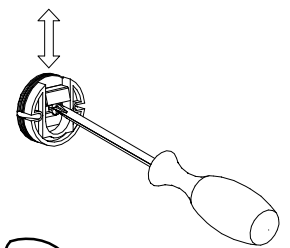
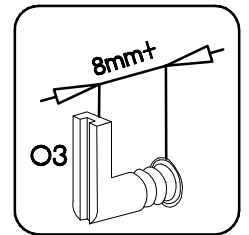
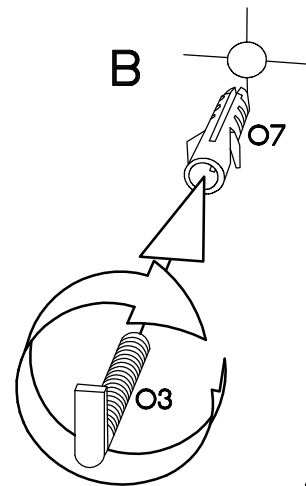
	6,4 x 50mm
O	B
1	4






3





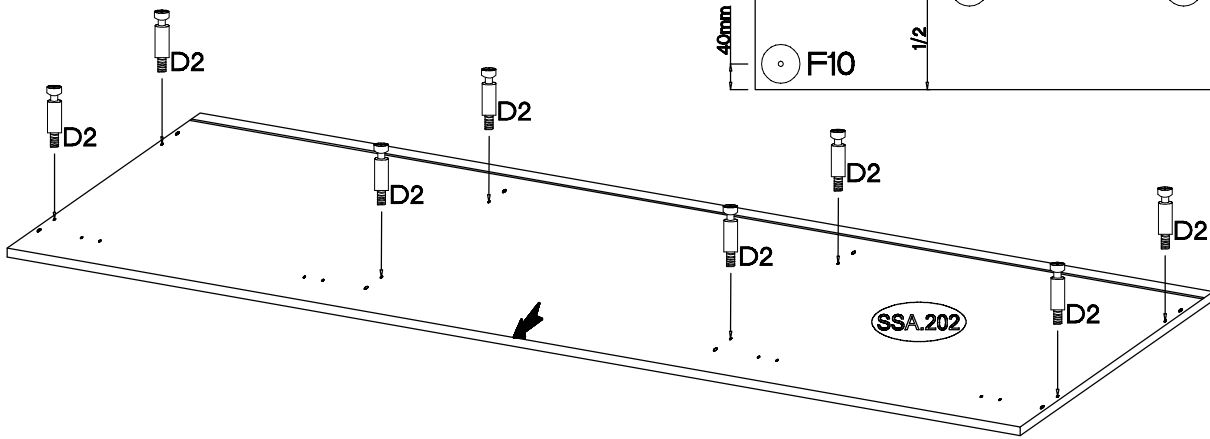
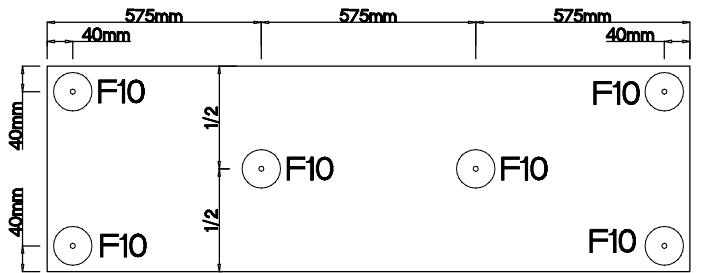
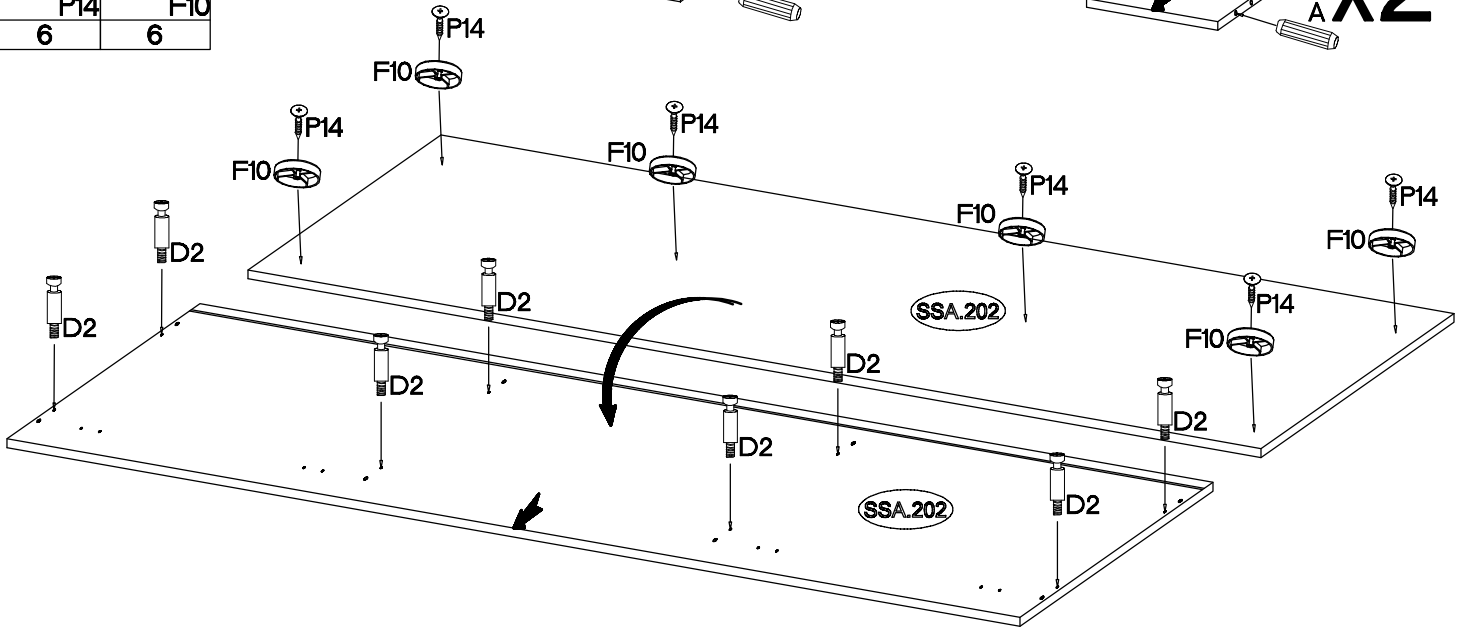
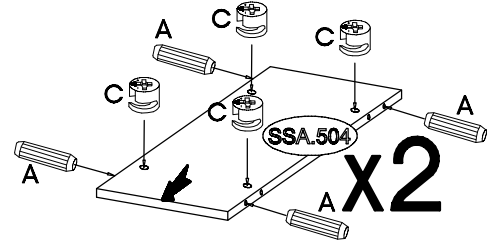
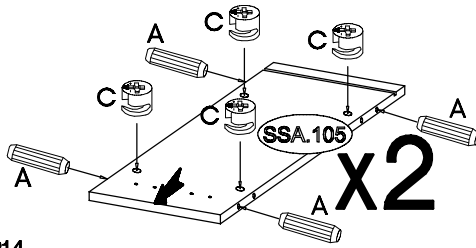
	5/45mm		10x50mm
O3		O7	
2		2	



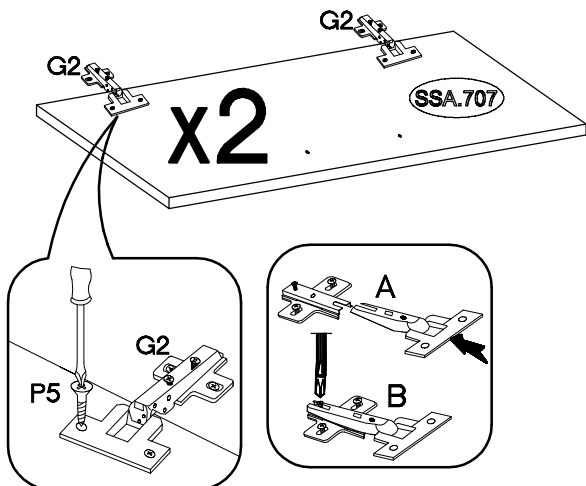
# 4





 $\varnothing 5/12\text{mm}$	 $\varnothing 8 \times 30\text{mm}$	 L=20mm
C	A	D2
16	16	16

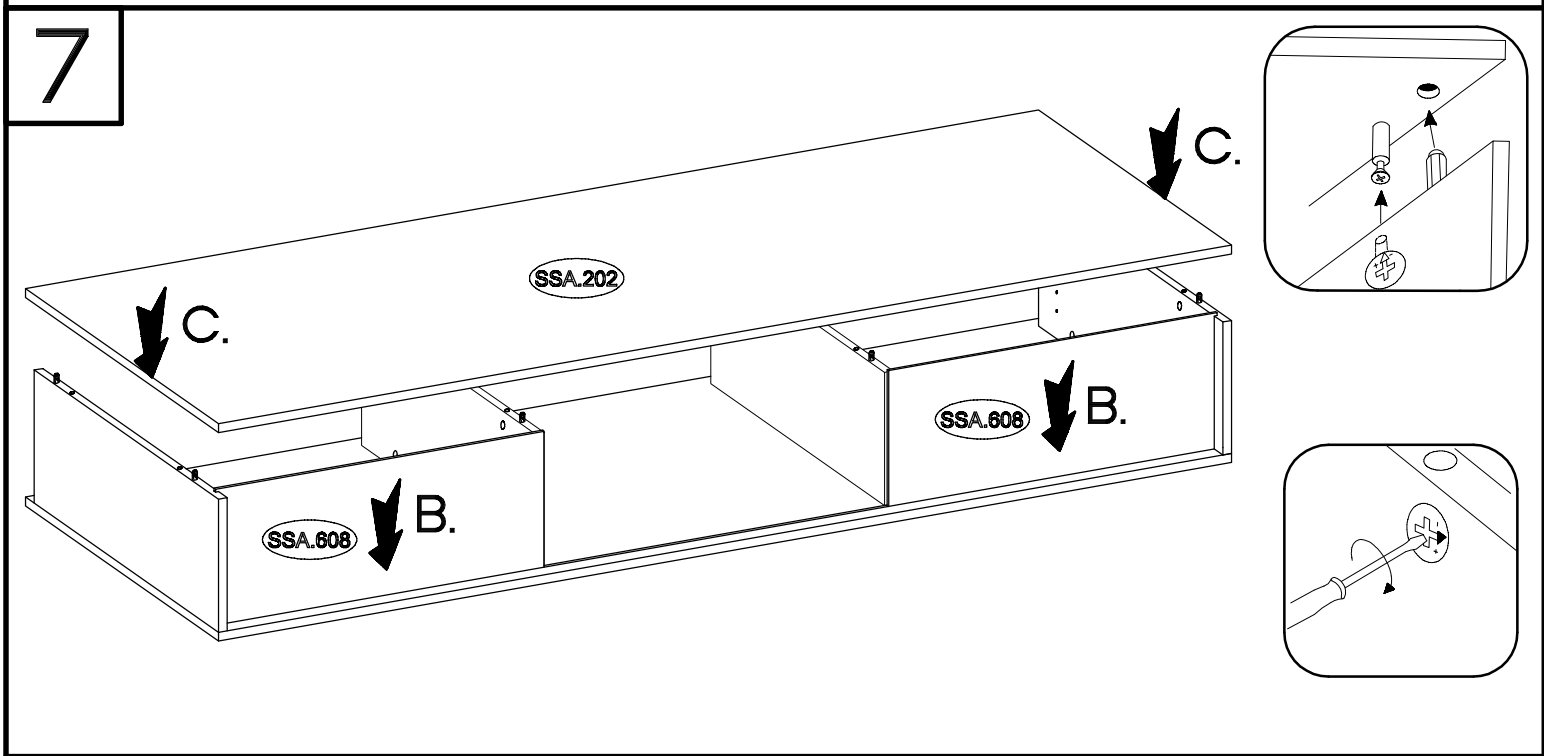
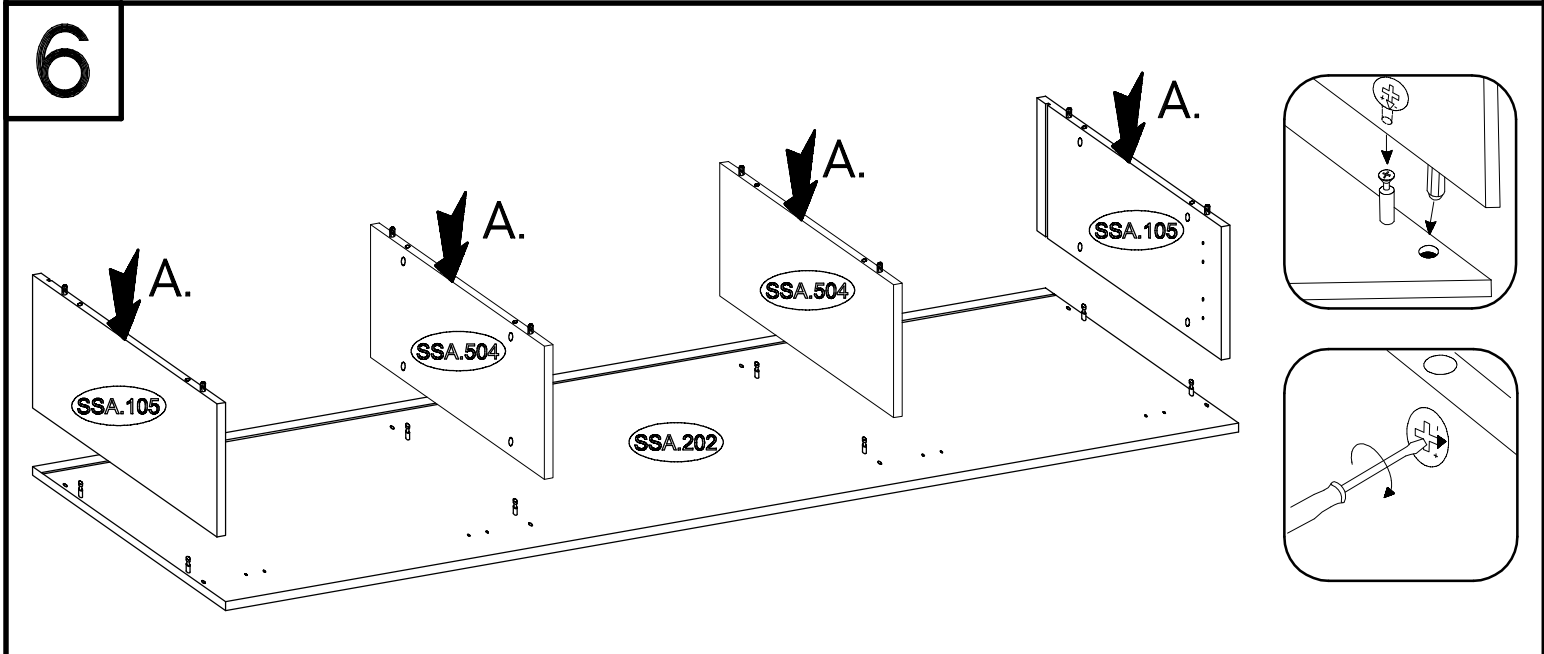
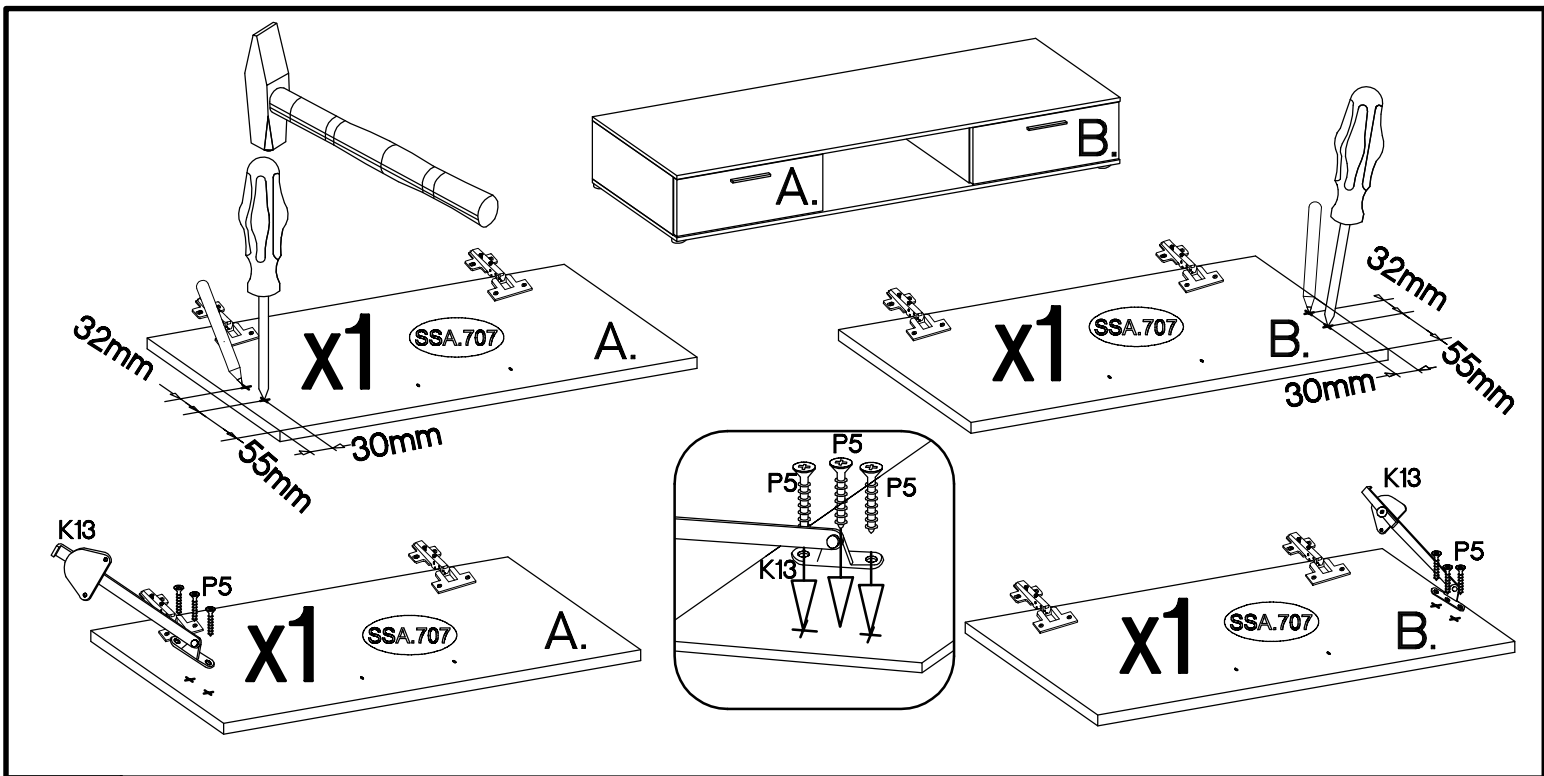
 $\varnothing 4.0 \times 25\text{mm}$	
P14	F10
6	6



# 5



 H-0	 $\varnothing 35/16\text{mm}$	 $\varnothing 3.5 \times 13\text{mm}$	
H	G2	P5	K13
4	4	14	2



# 8

±3.0x16mm



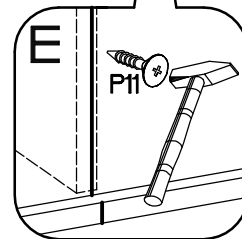
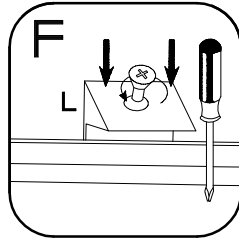
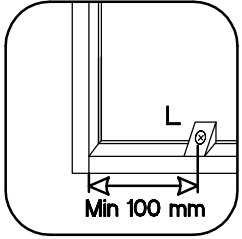
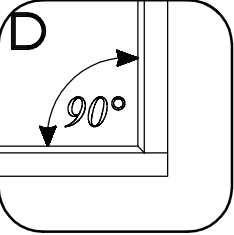
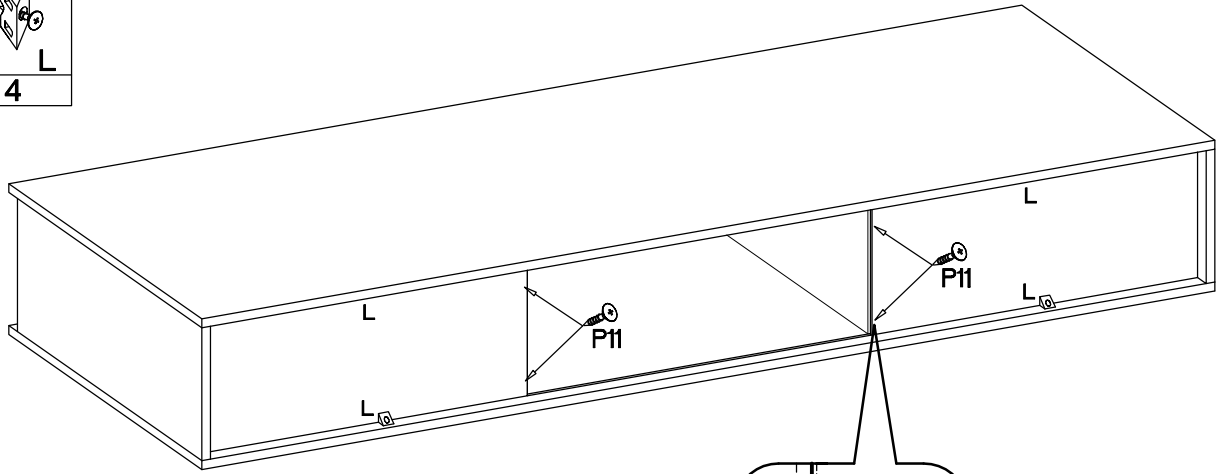
P11

4



L

4



# 9

±3.0x16mm



E

16

±3.0x16mm



P11

6

±4.0x30mm



R2

4

L=128mm



S11

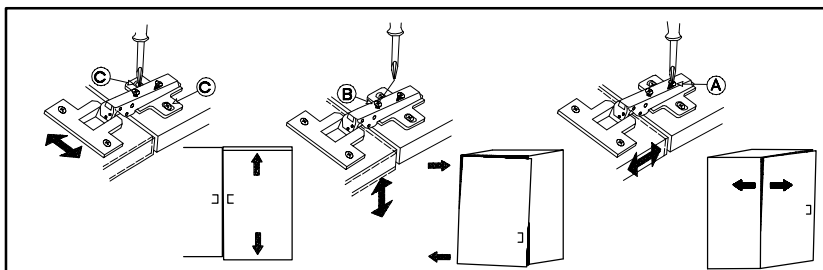
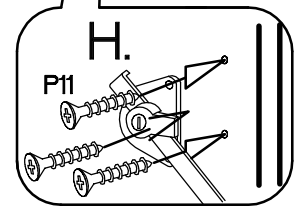
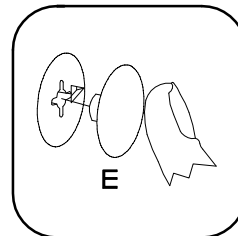
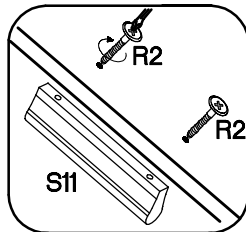
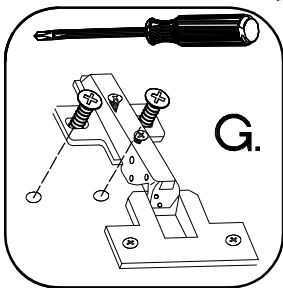
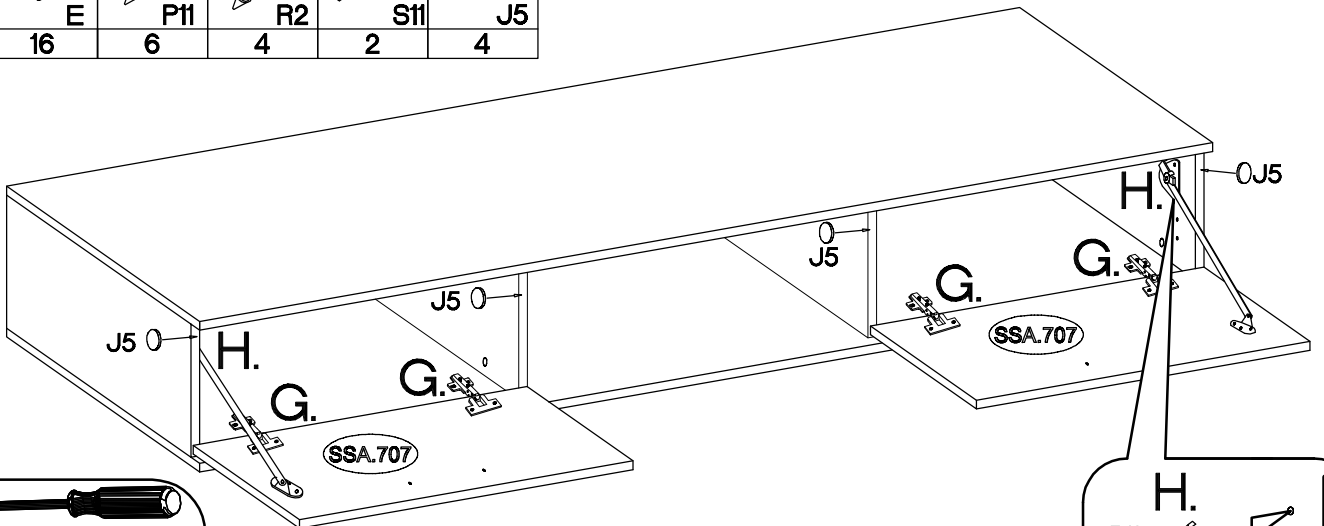
2

L=128mm

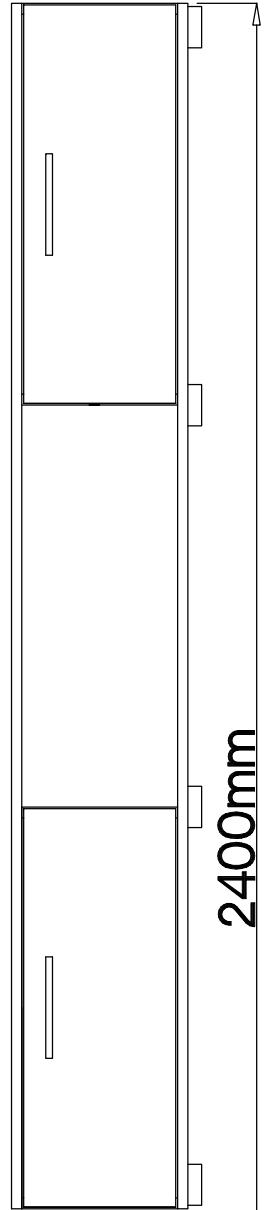
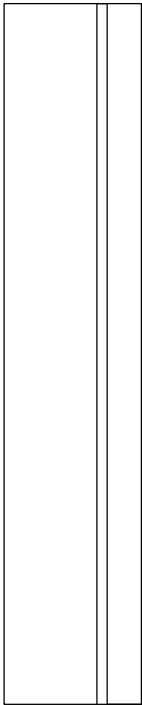
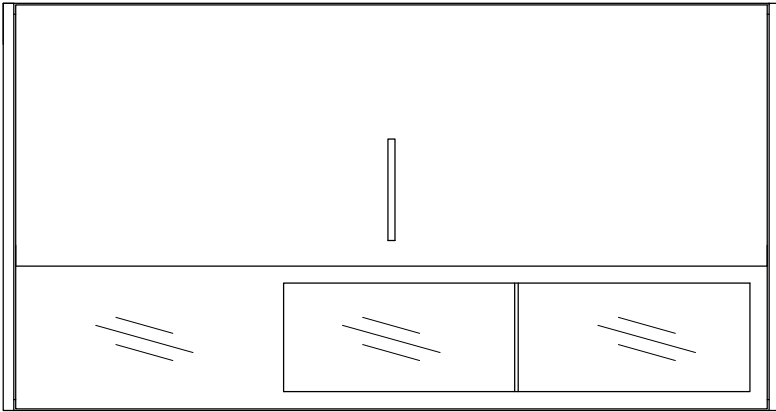


J5

4



1800mm



2400mm

