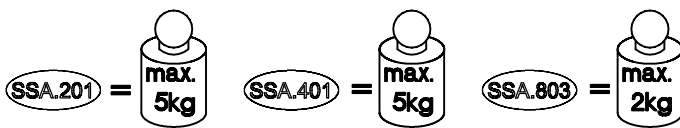
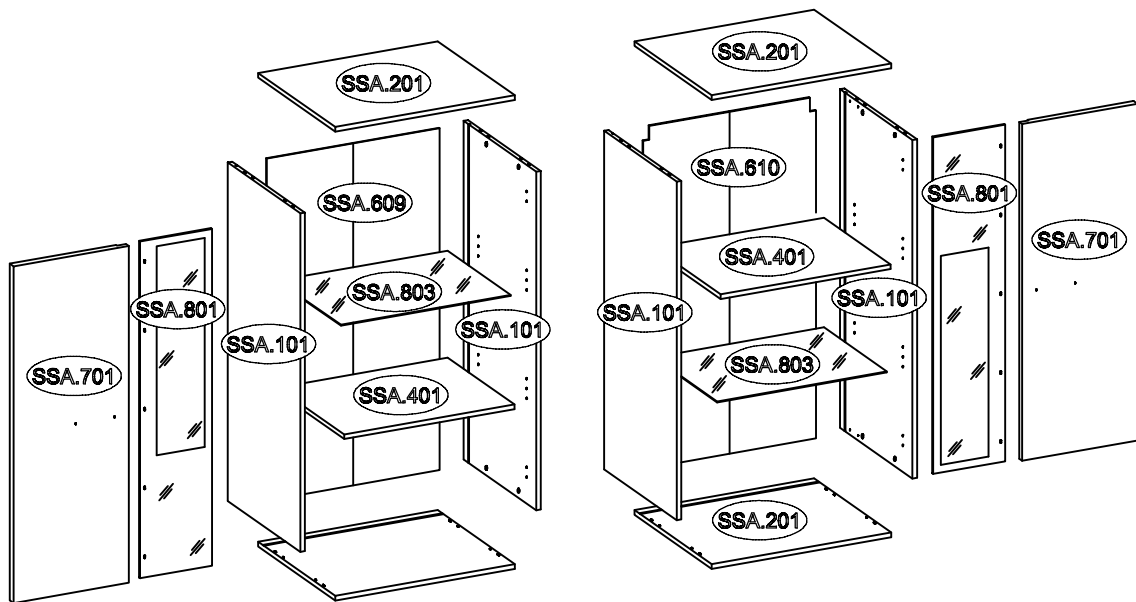
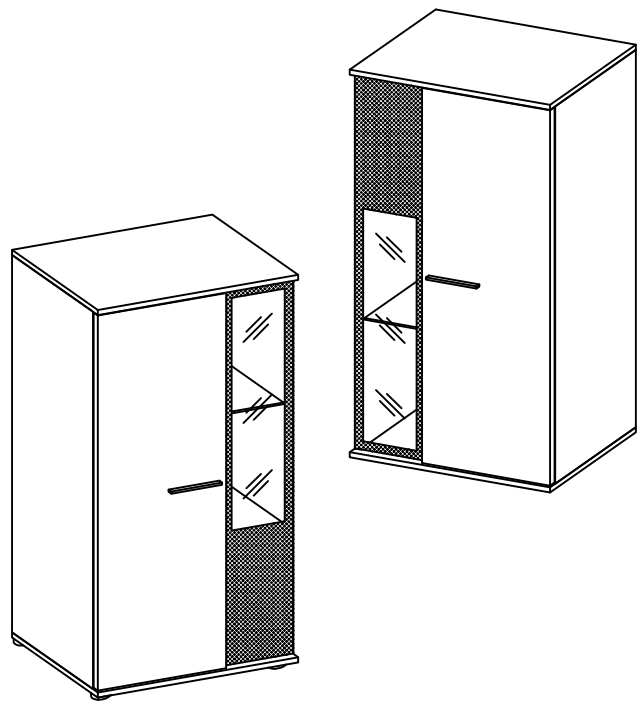


SALSA

Typ 031



1B	L-128mm S11 2	+4.0x30mm R2 4	2B	H-0 H 6	+35/0mm G 6	+3.5x13mm P5 12	J5 4			
	3B	+5/12mm C 24		+8x30mm A 16	L-20mm D2 24	+4.0x25mm P14 4		F10 4	J7 10	J15 10
+3.0x20mm P7 8		L2 8	E 24	+5/16mm J12 8	K 2	+4.0x30mm P8 4	+3.5x13mm P5 1	L9 1	+10x50mm O7 5	+5.0x60mm P12 4

1

x2

x2

FARBE

1h

H-0 H 6	±35/0mm G 6	±3.5x13mm P5 6
J7 10	J15 10	±4.0x12mm R5 10
		O1 1

Diagram details: Shows two panels, SSA.701 and SSA.801, being prepared. Brackets (G) are attached to the top edge using screws (P5). Fasteners (J15) are inserted into pre-drilled holes. A warning symbol indicates that the panels should be painted (FARBE) before assembly. A clock icon indicates a 1-hour preparation time. A person icon with 'L' indicates a warning or instruction. A person icon with 'R' indicates a warning or instruction. A crossed-out spray gun icon indicates that the panels should not be painted with spray paint.

2

SSA.201

SSA.201

SSA.401

SSA.201

40mm

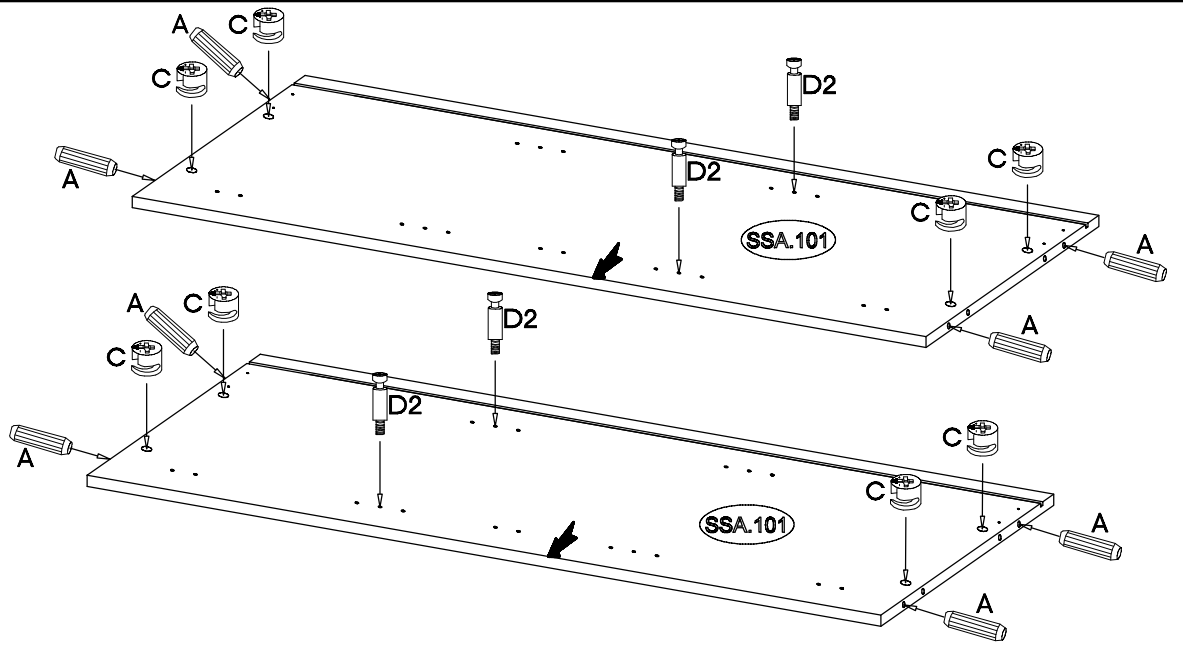
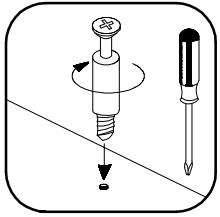
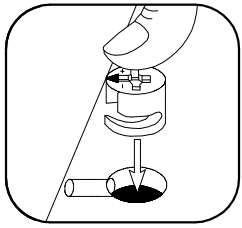
40mm

40mm

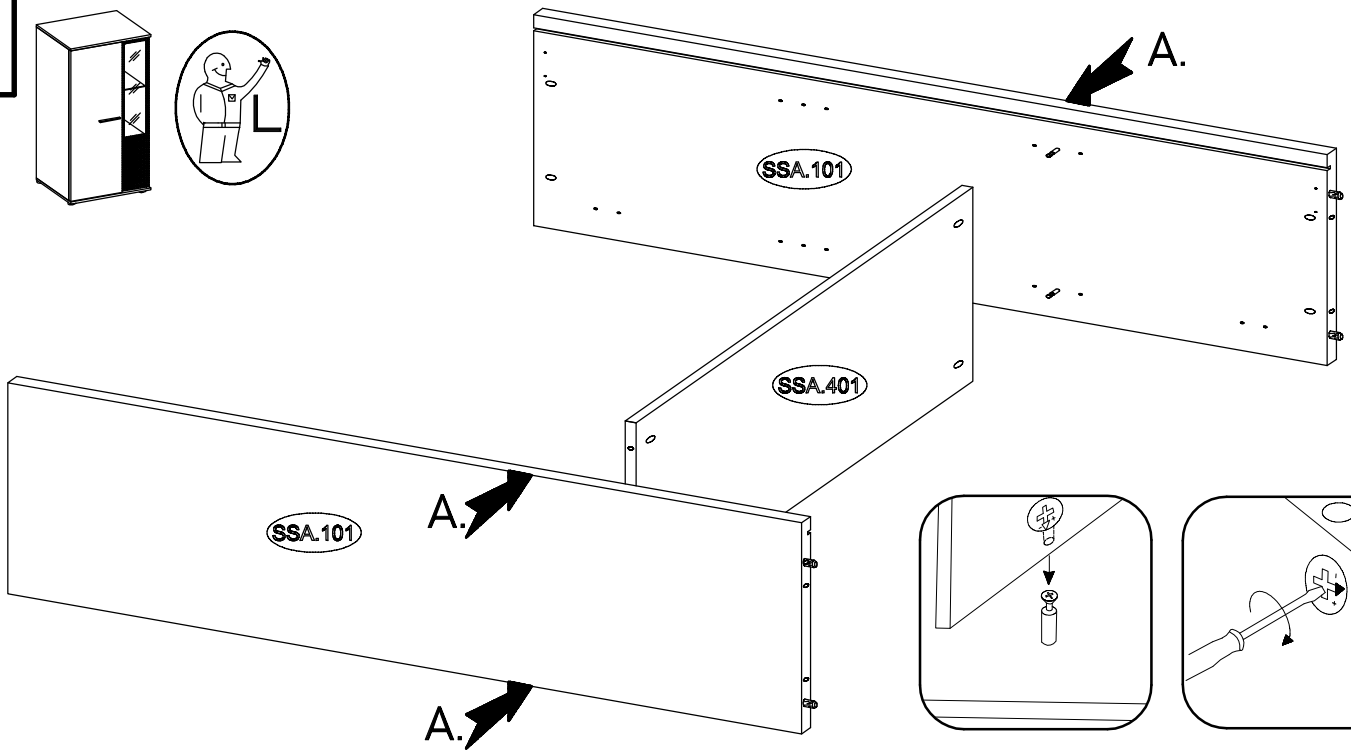
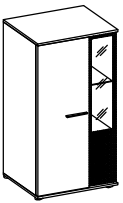
40mm

±15/12mm C 12	±8x30mm A 8	L=20mm D2 12	±4.0x25mm P14 4	F10 4
---------------------	-------------------	--------------------	-----------------------	----------

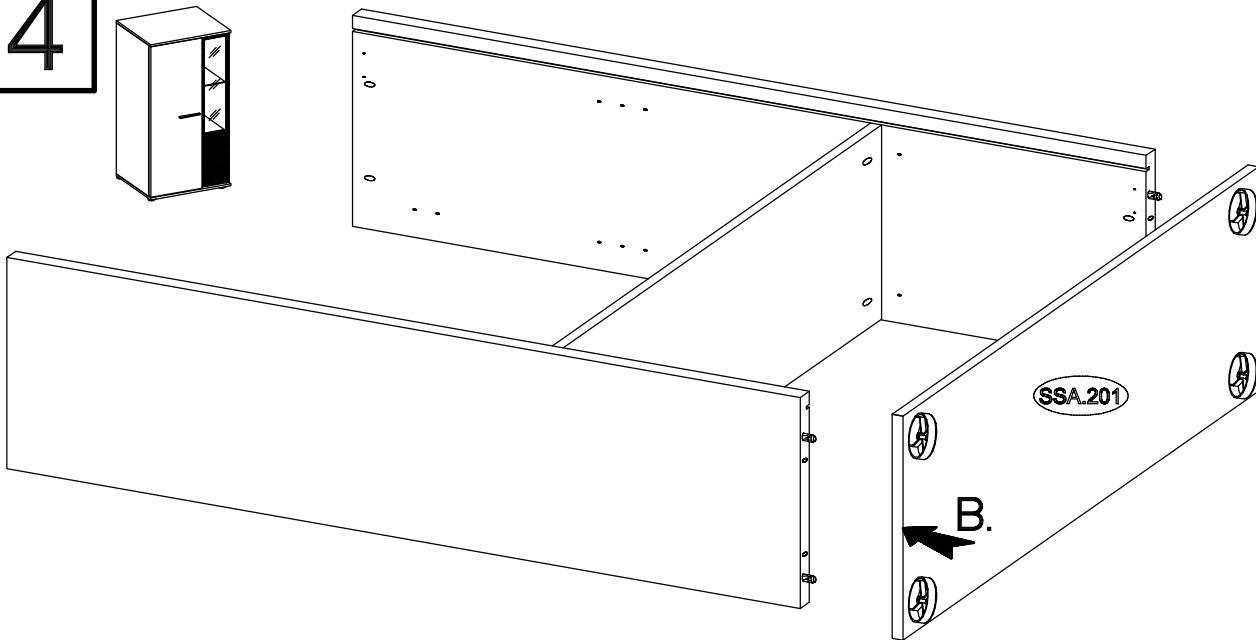
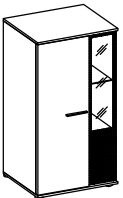
Diagram details: Shows the final assembly of the panels. Fasteners (D2) are used to secure the panels to the frame. Fasteners (F10) are used to secure the panels to the frame. Fasteners (C) are used to secure the panels to the frame. Fasteners (A) are used to secure the panels to the frame. Fasteners (P14) are used to secure the panels to the frame. A diagram shows the placement of fasteners (F10) on a 40mm x 40mm grid. A person icon with 'L' indicates a warning or instruction. A person icon with 'R' indicates a warning or instruction. Two inset diagrams show the correct installation of fasteners (C) and (D2).



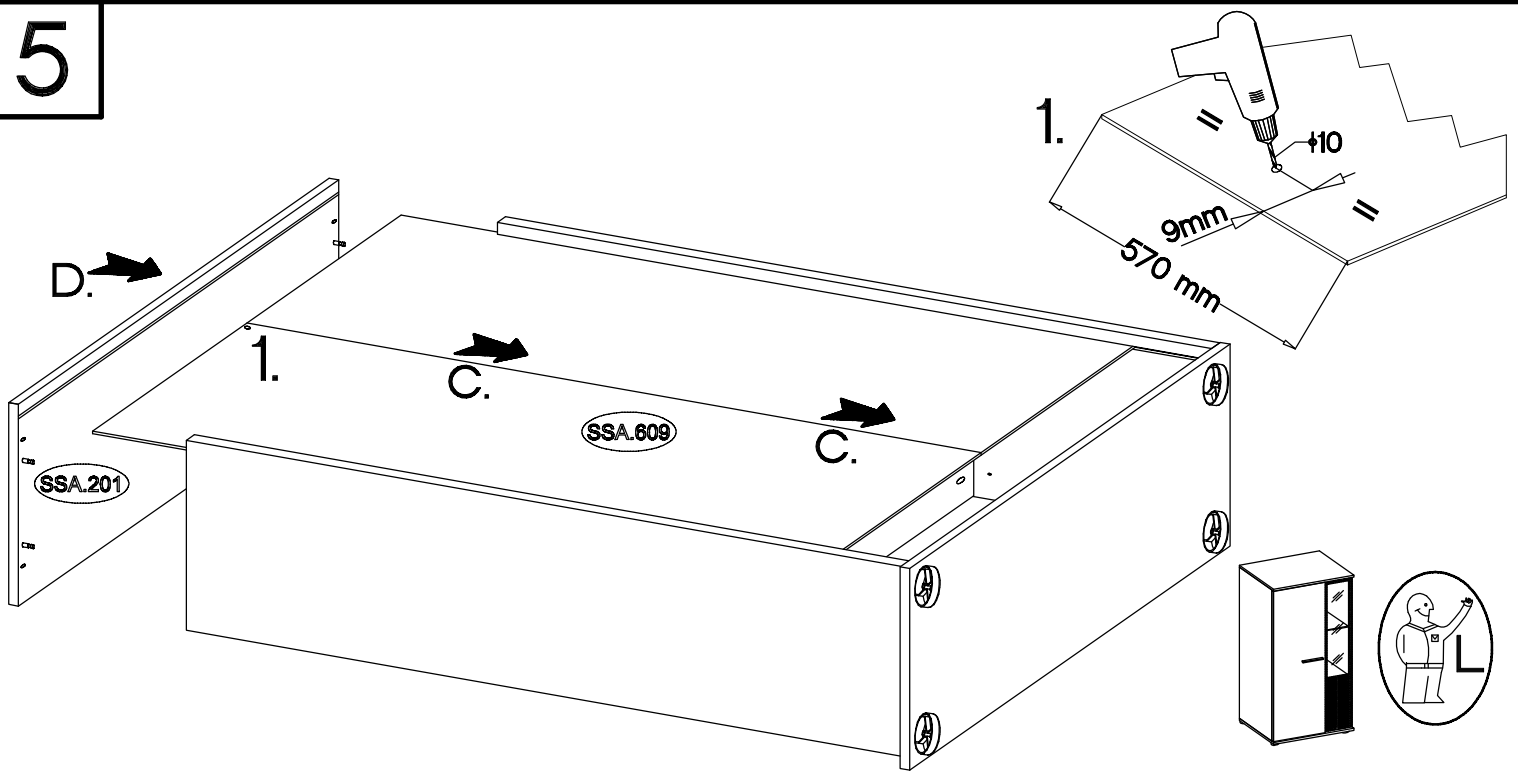
3



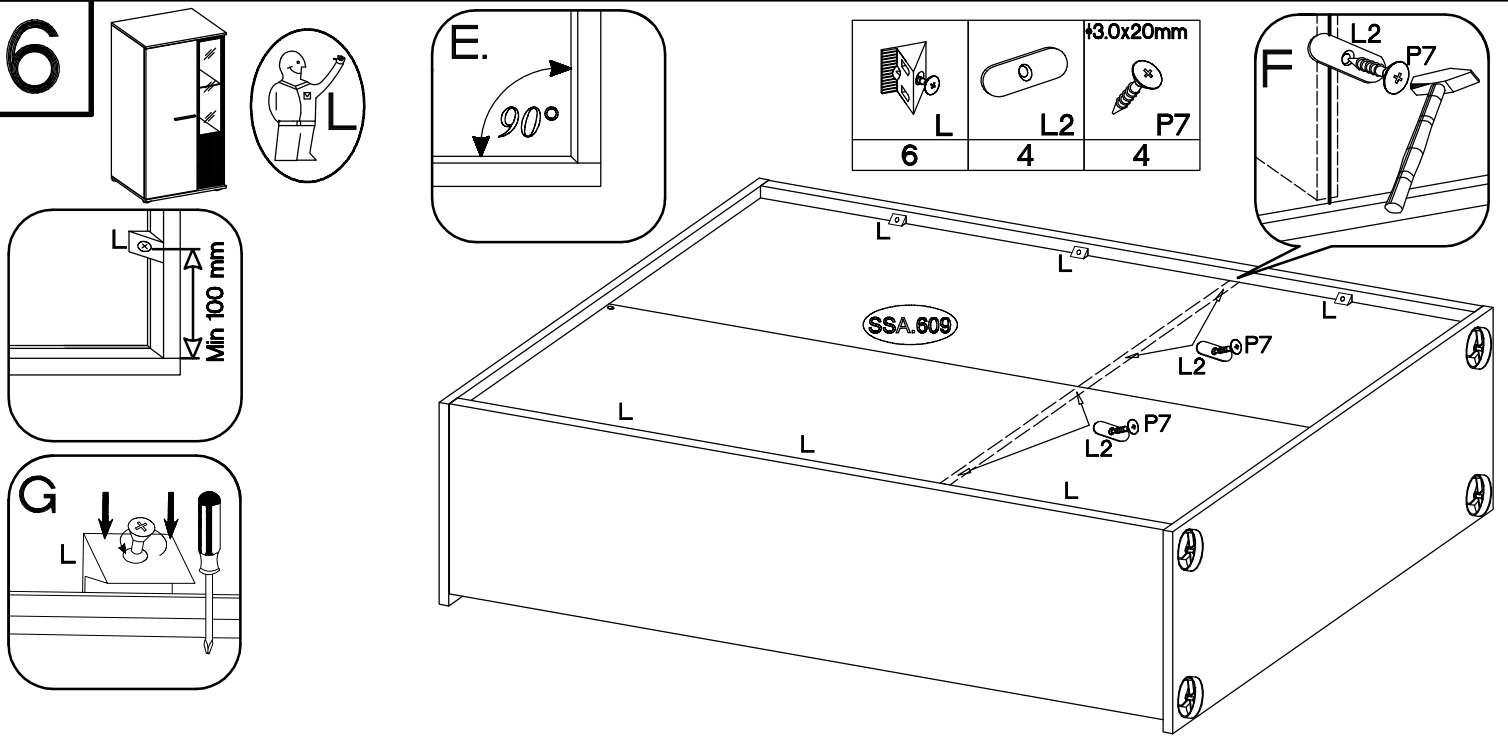
4



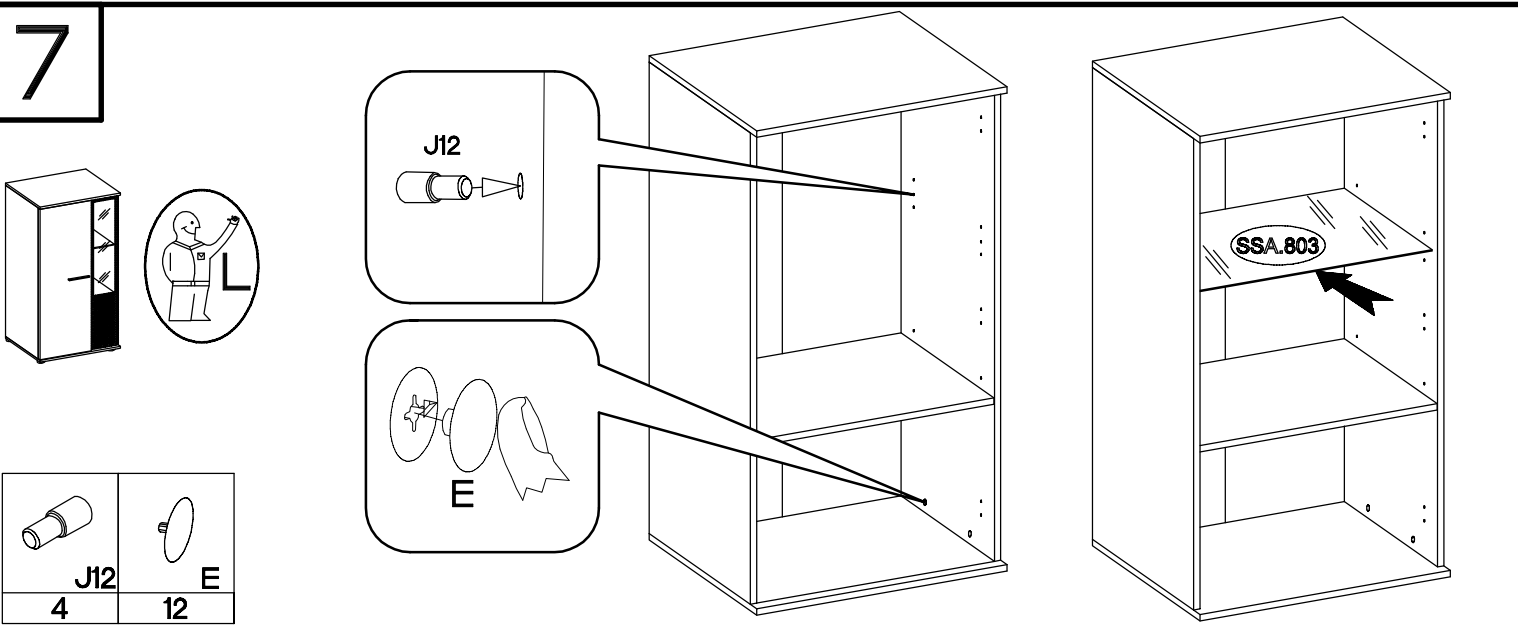
5



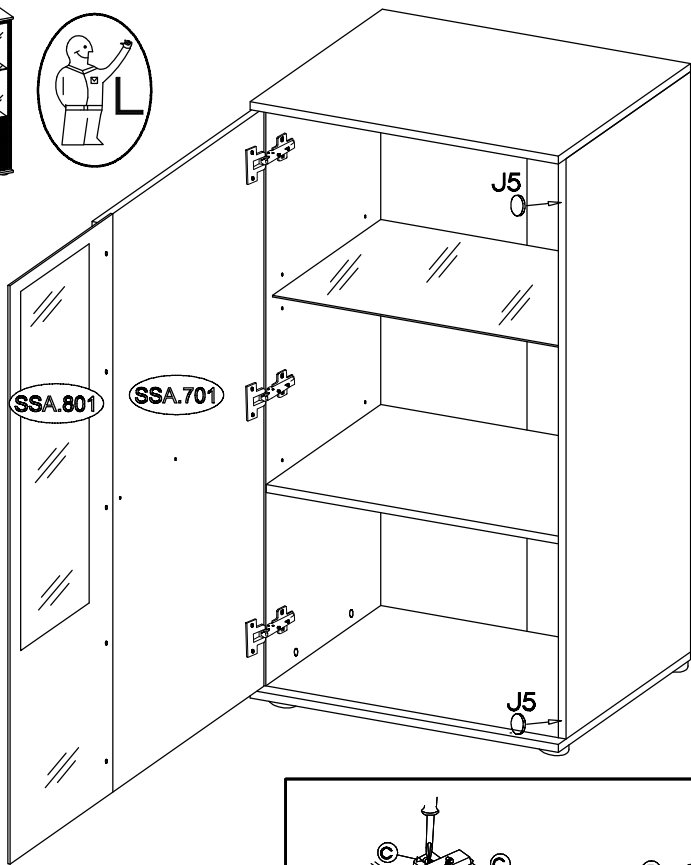
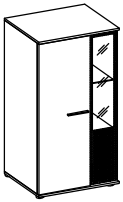
6



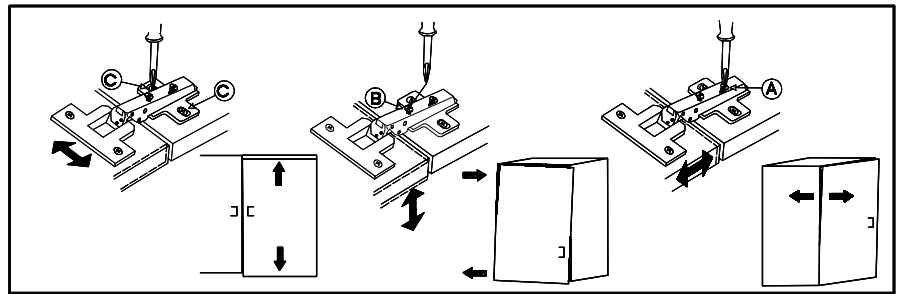
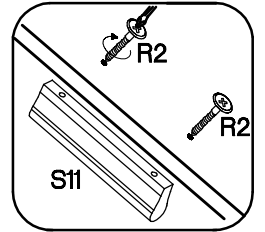
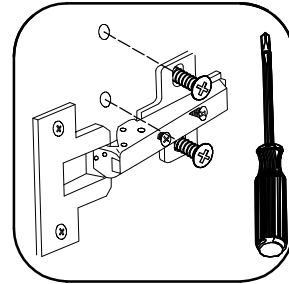
7



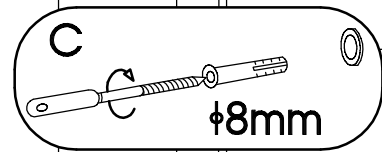
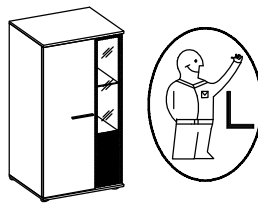
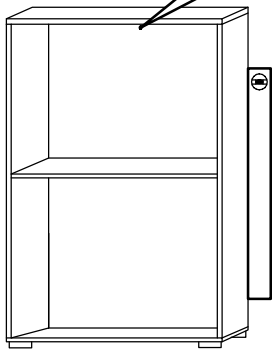
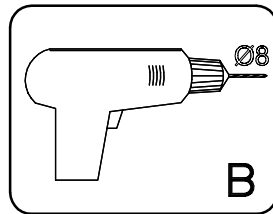
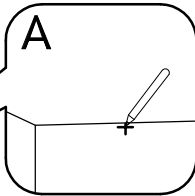
8



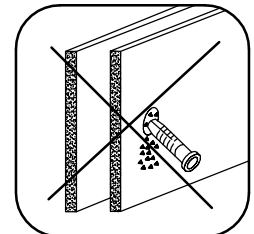
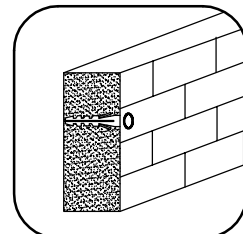
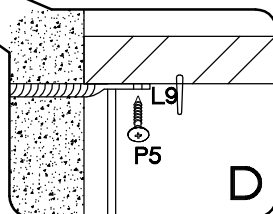
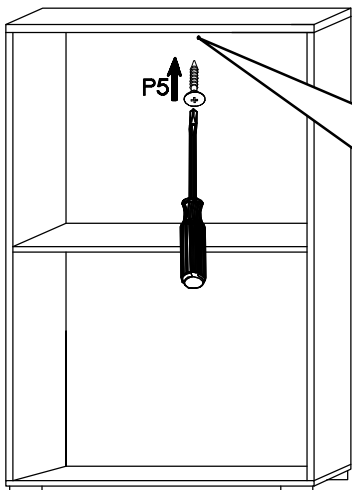
	$\phi 4.0 \times 30 \text{mm}$	L=128mm
J5	R2	S11
2	2	1



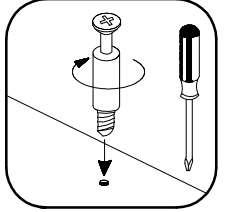
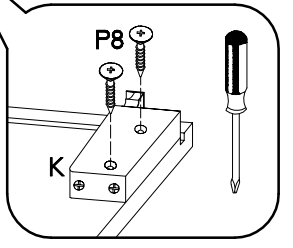
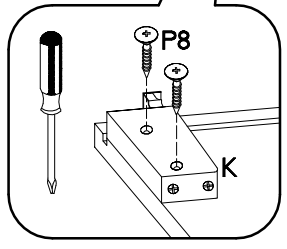
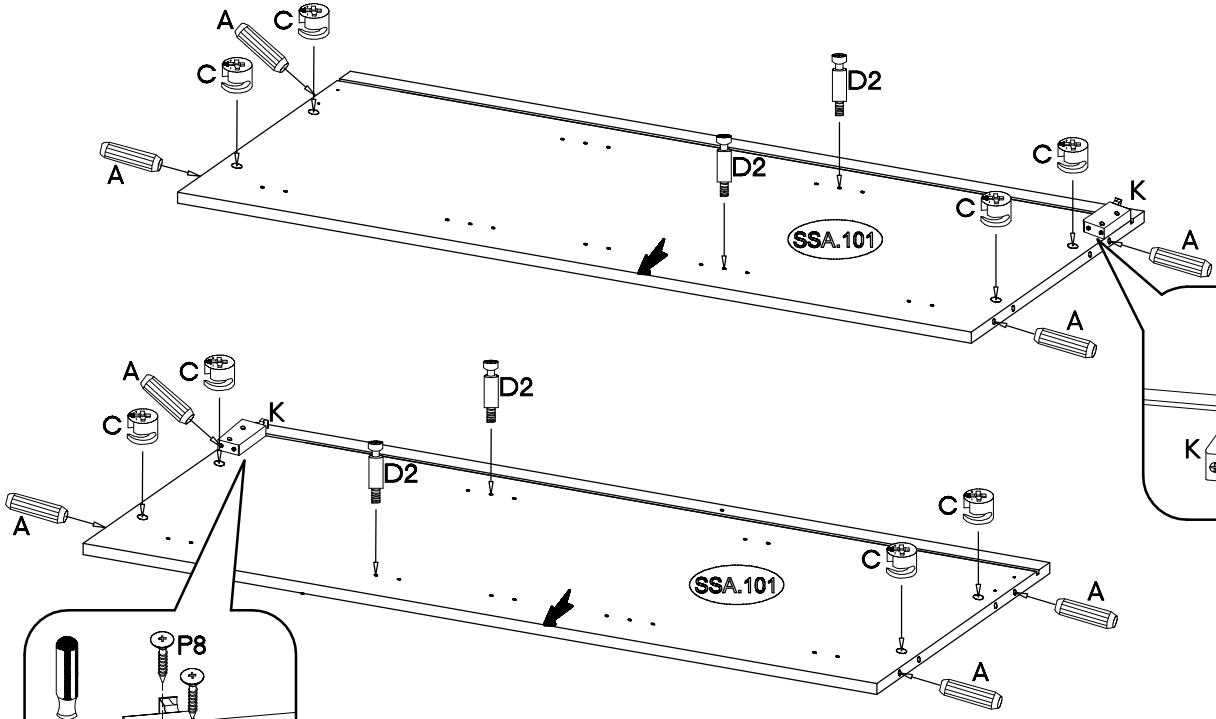
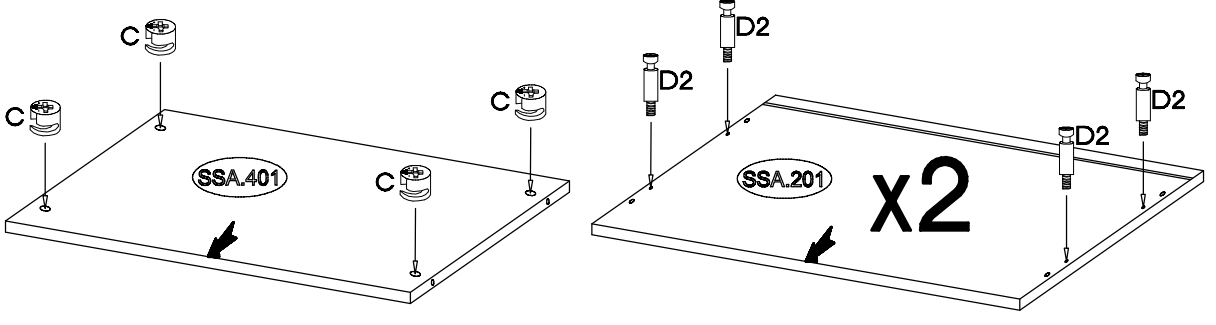
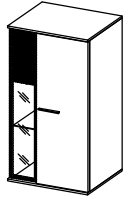
9



	$\phi 3.5 \times 13 \text{mm}$	$\phi 10 \times 50 \text{mm}$
L9	P5	O7
1	1	1

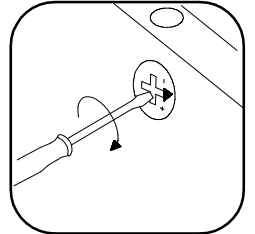
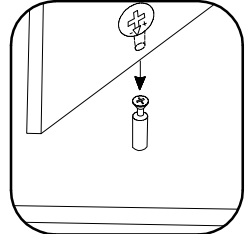
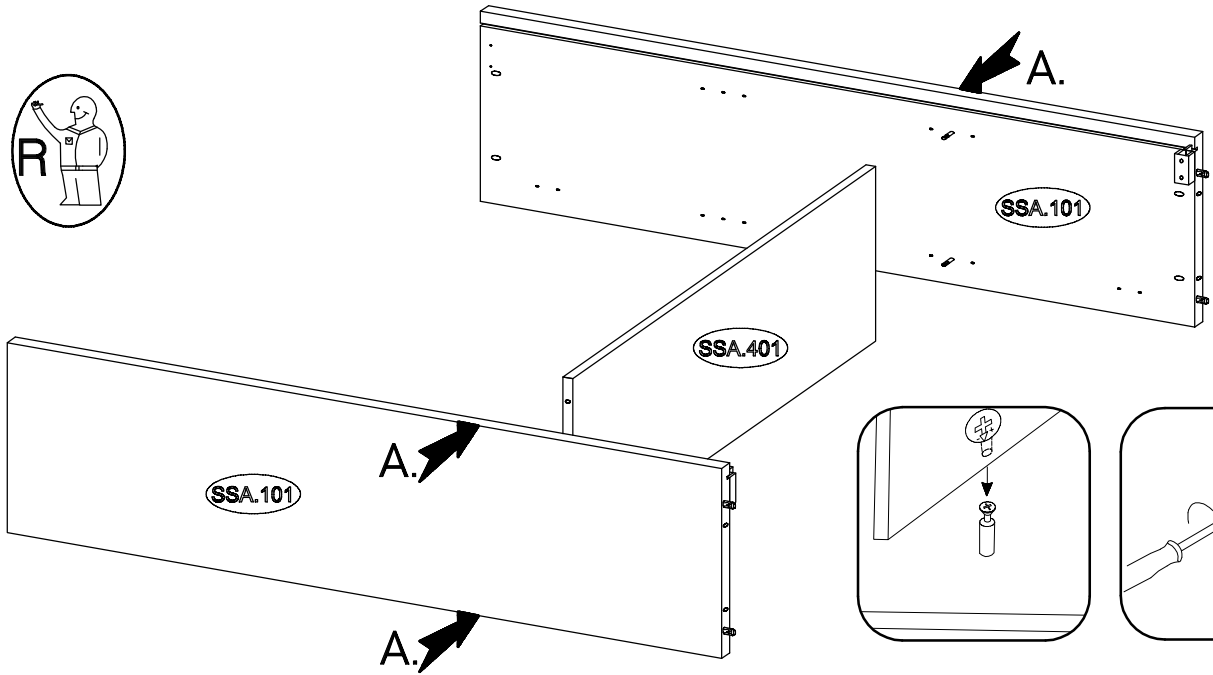
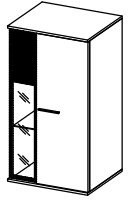


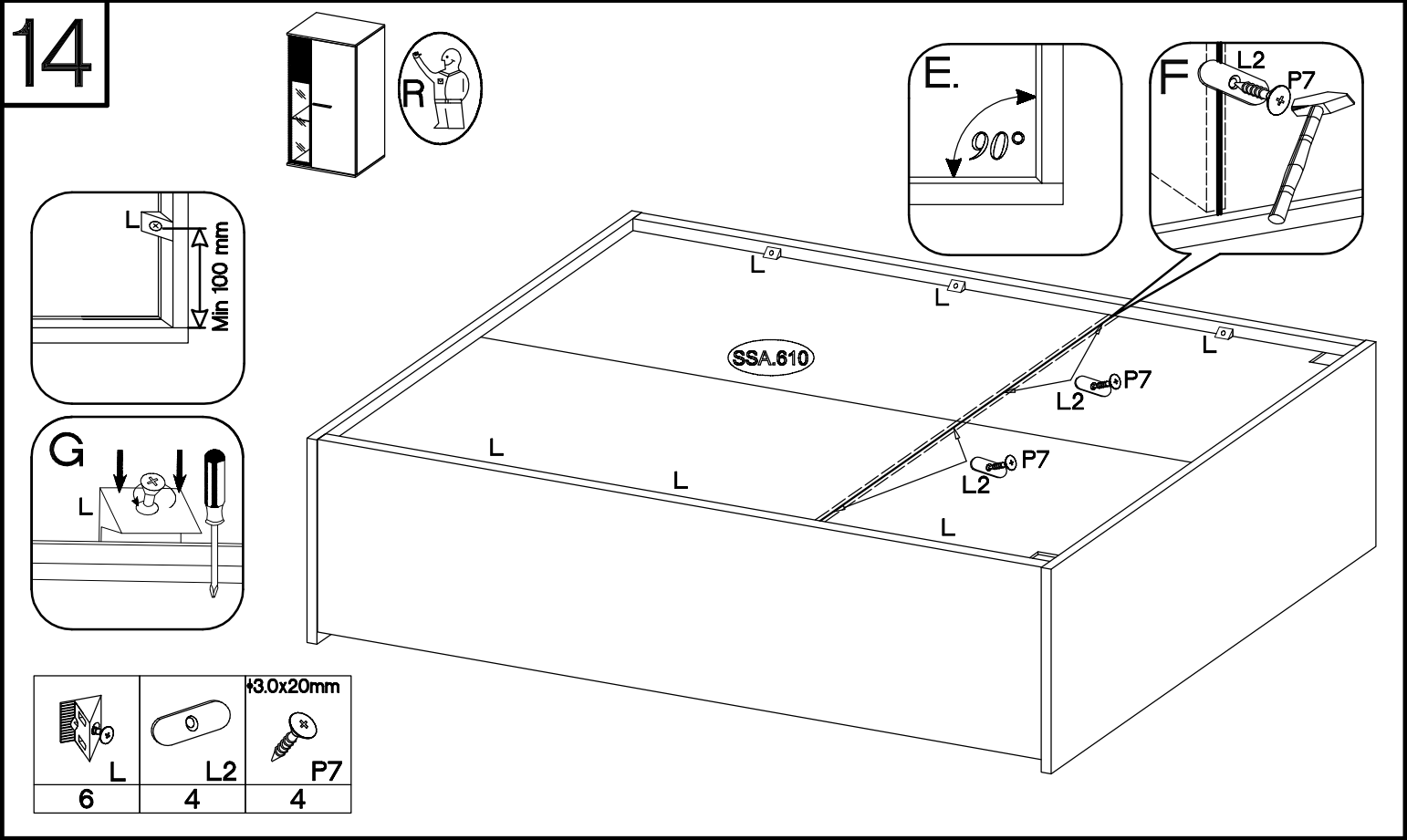
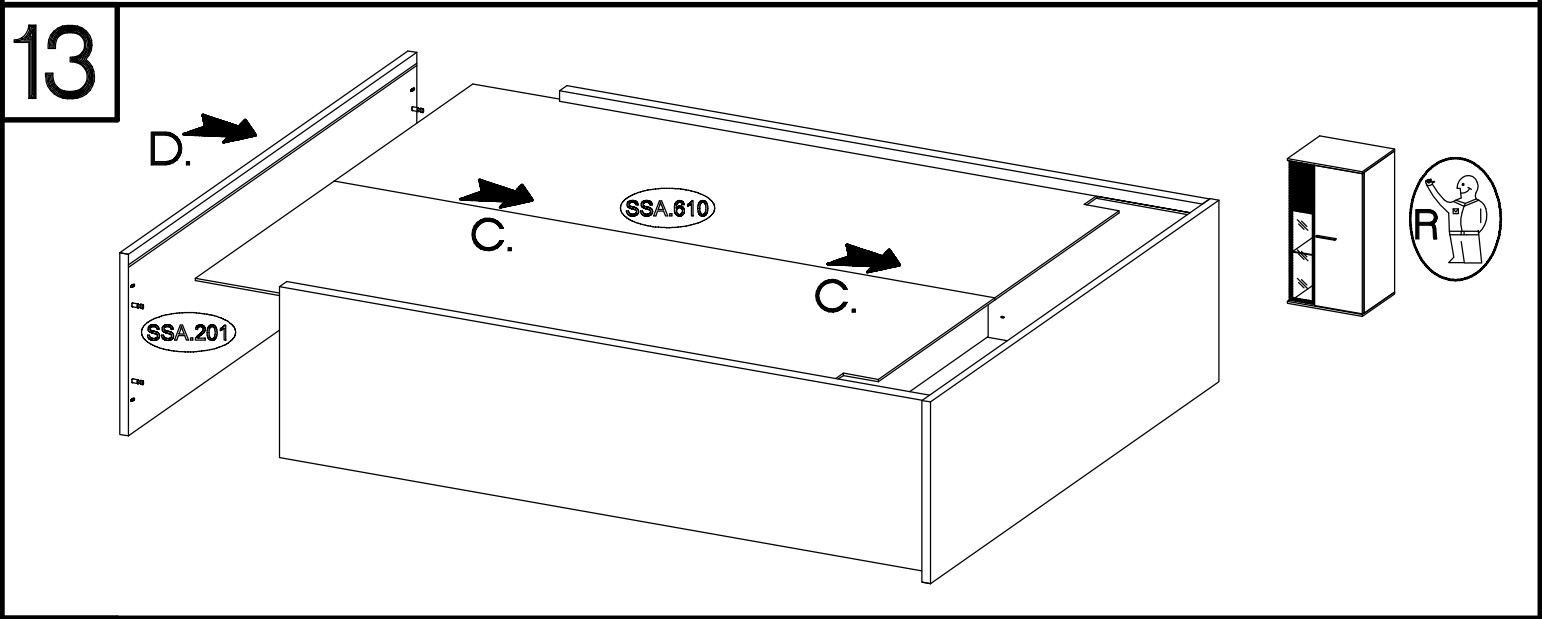
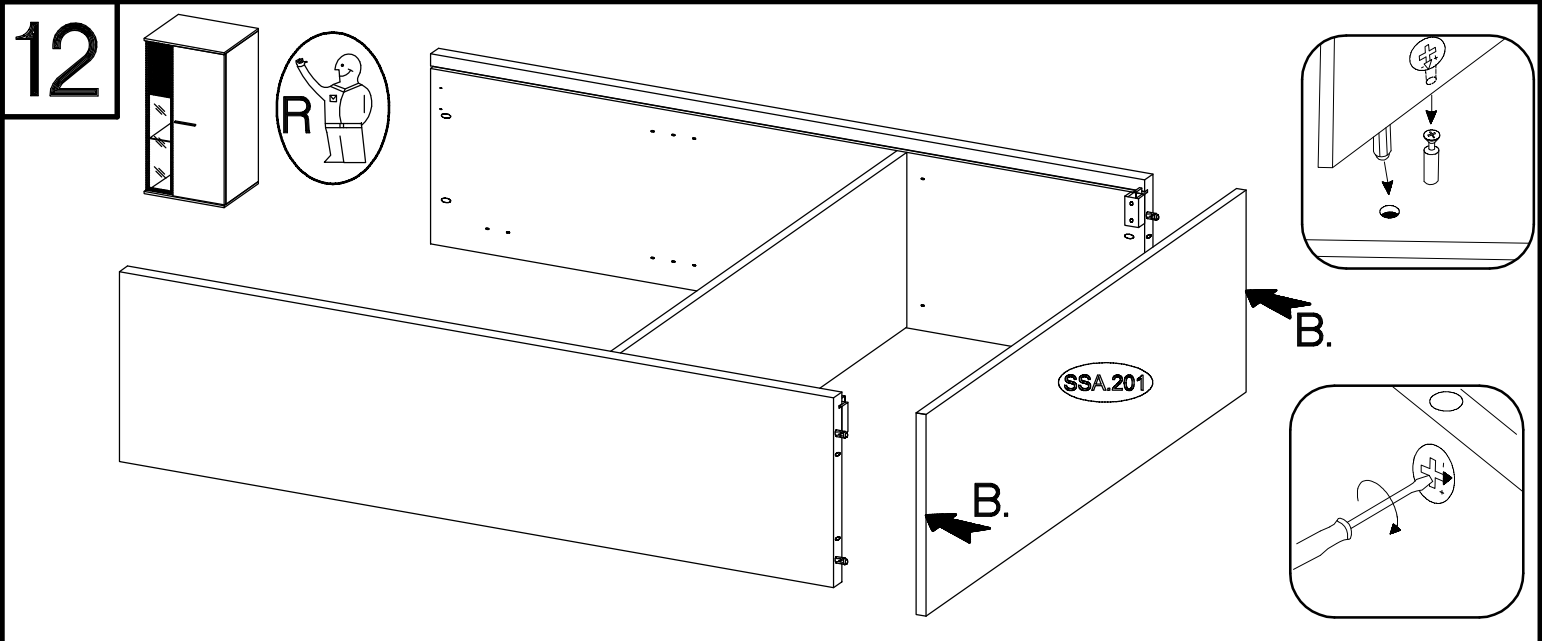
10



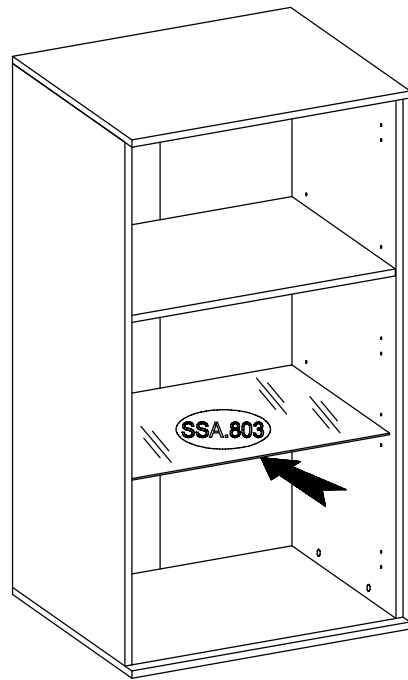
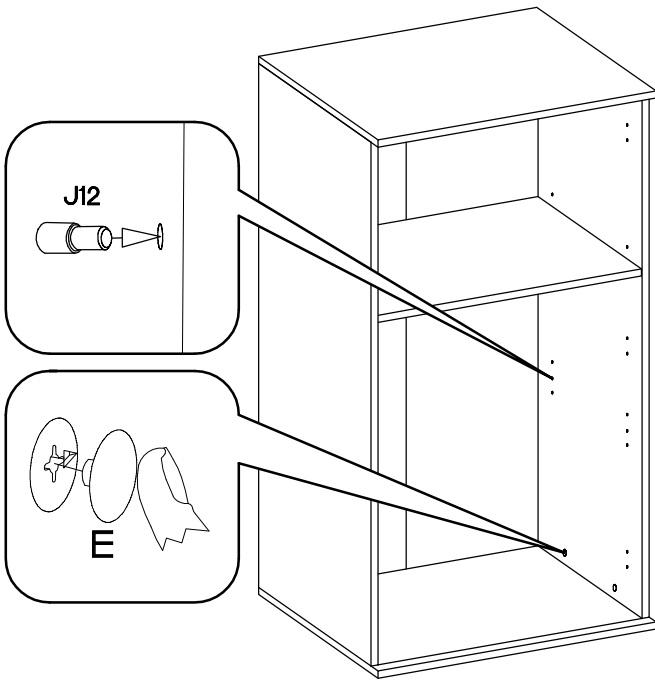
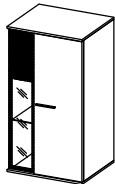
 C	 A	 D2	 K	 P8
12	8	12	2	4

11



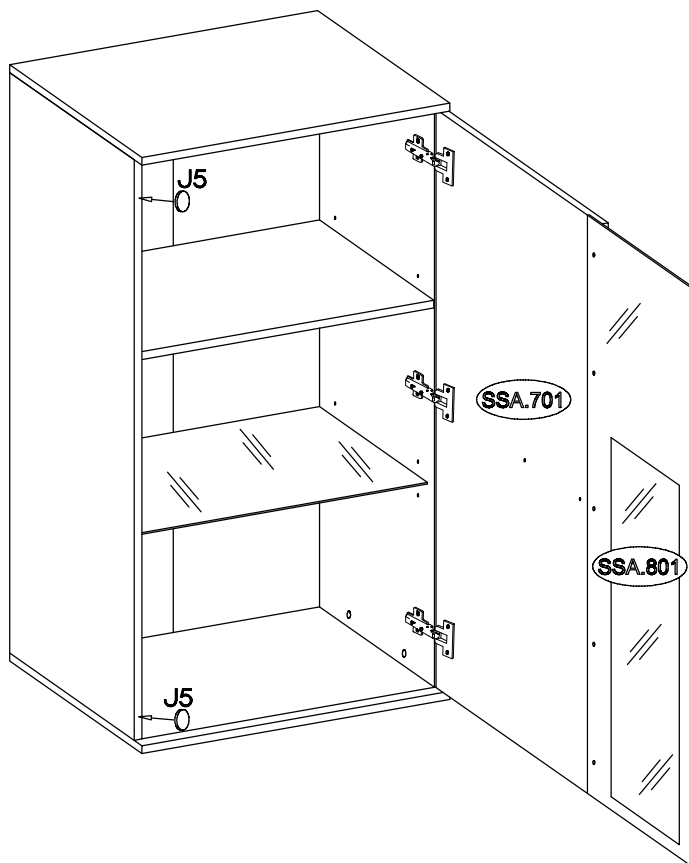
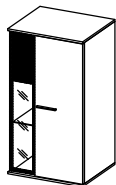


15

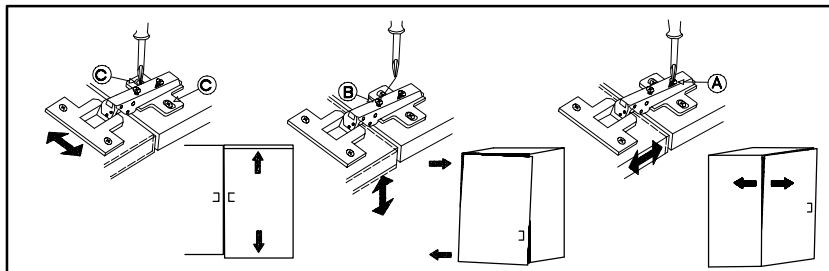
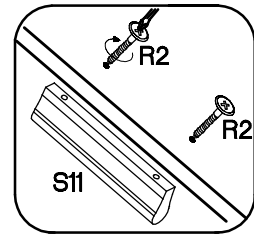
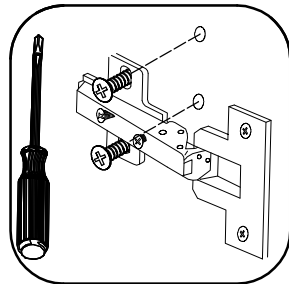


J12	E
4	12

16



J5	R2	S11
2	2	1



±5.0x60mm	±10x50mm	
P12	O7	K16
4	4	2

