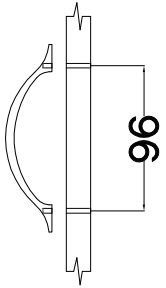
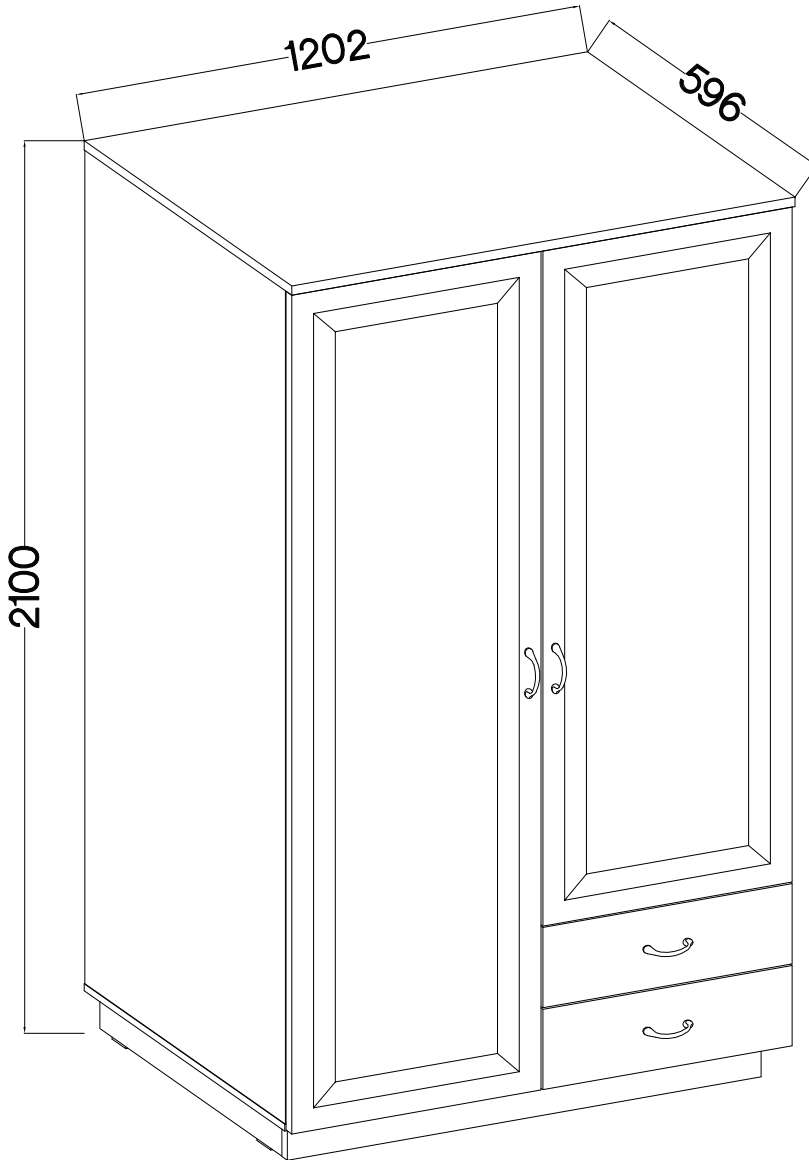
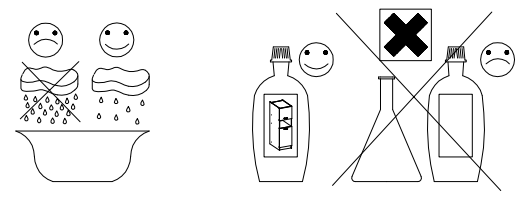


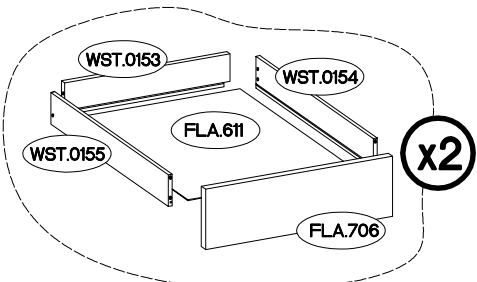
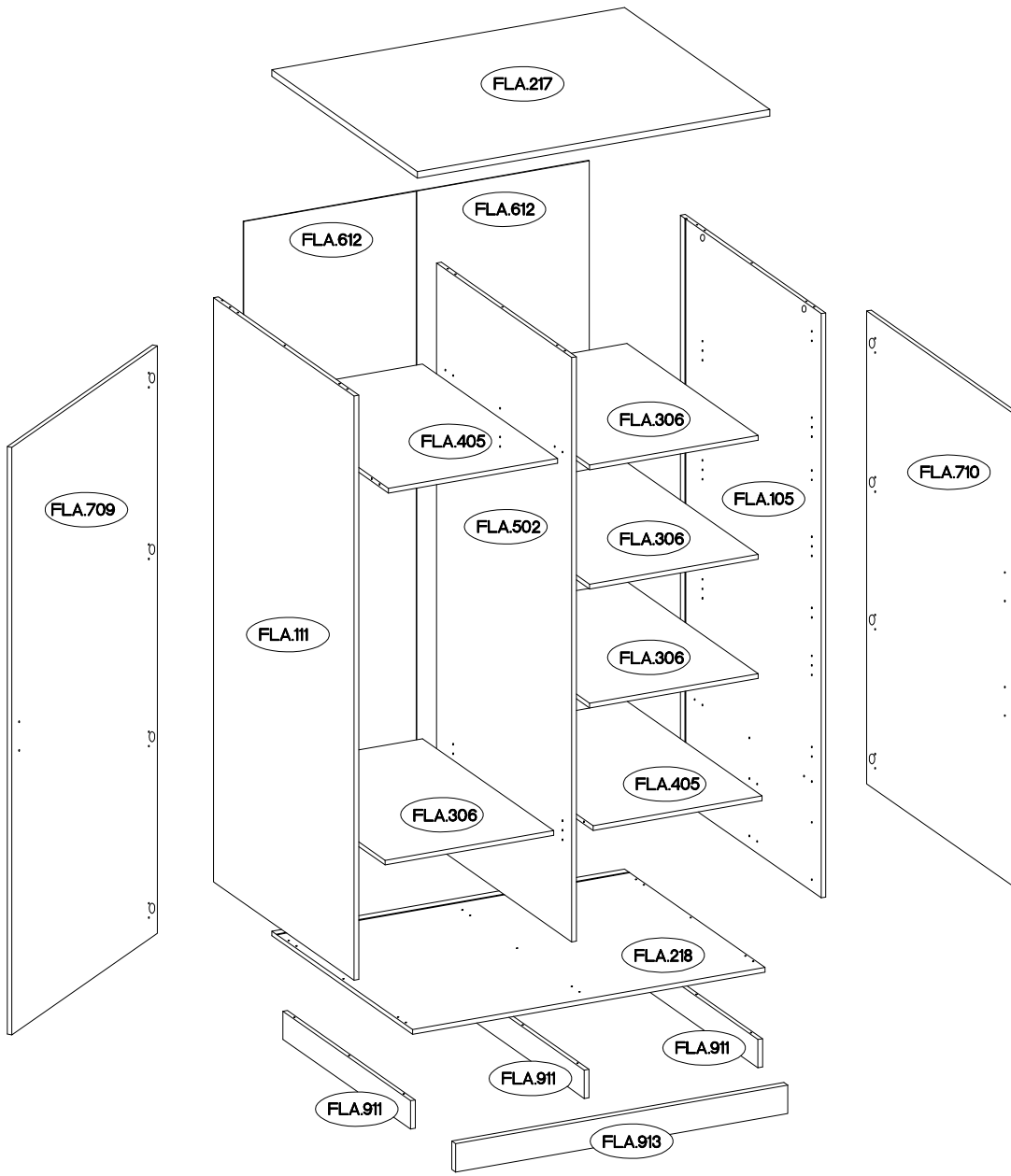
TYP 612



±8x30mm	6,4 x 50mm	±6x42mm
A	B	B2
47	6	4

C	C5	D2	E	E1	F4	F22	HG	L=450mm	I11	J2
14	4	18	14	4	1	6	8	2	1	1
J3	J14	J17	L	L2	L19	M2	M3	O	O1	O7
16	6	2	22	12	1	6	6	1	1	1
P1	P5	P7	P12	S	T3	M4x22mm	U			
10	20	25-30	1	4	5		8			

ISM-FLA-13



FLA.611



FLA.306

FLA.405


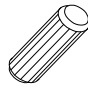

Colli	Ersatzteil Nummer	Dimension
Colli 1/4	FLA.306 x4	575x538x16
	FLA.405 x2	576x553x16
	FLA.611 x2	446x537x2,5
	FLA.911 x3	524x95x16
	WST.0154 x2	450x100x12
	WST.0155 x2	450x100x12
	WST.0153 x2	527x100x12

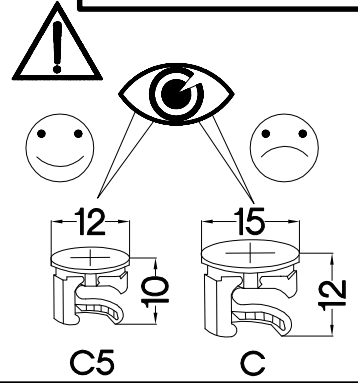
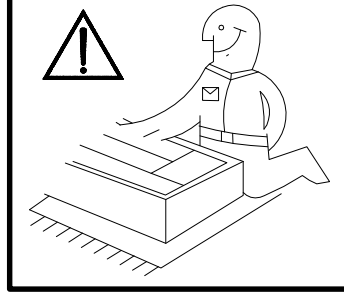
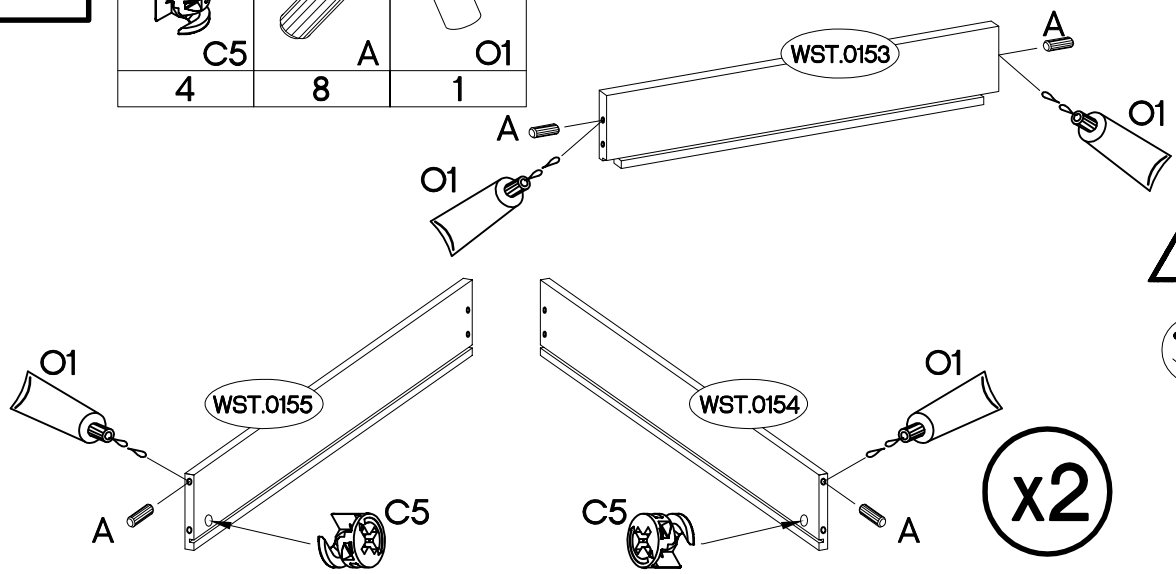
Colli	Ersatzteil Nummer	Dimension
Colli 2/4	FLA.217	1202x596x22
	FLA.218	1202x576x16
	FLA.913	1132x95x16

Colli	Ersatzteil Nummer	Dimension
Colli 3/4	FLA.105	1962x576x16
	FLA.111	1962x576x16
	FLA.502	1962x554x16
	FLA.612 x2	1971x588x2,5

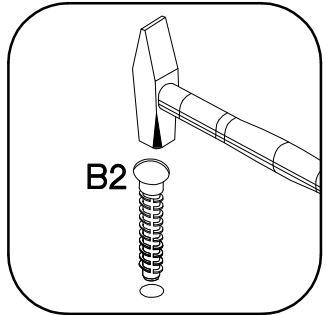
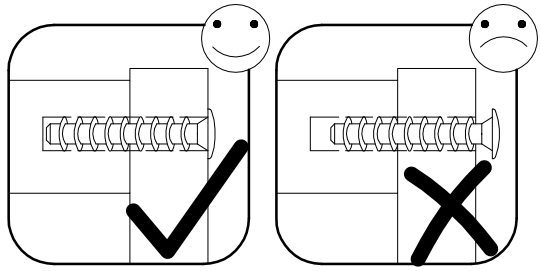
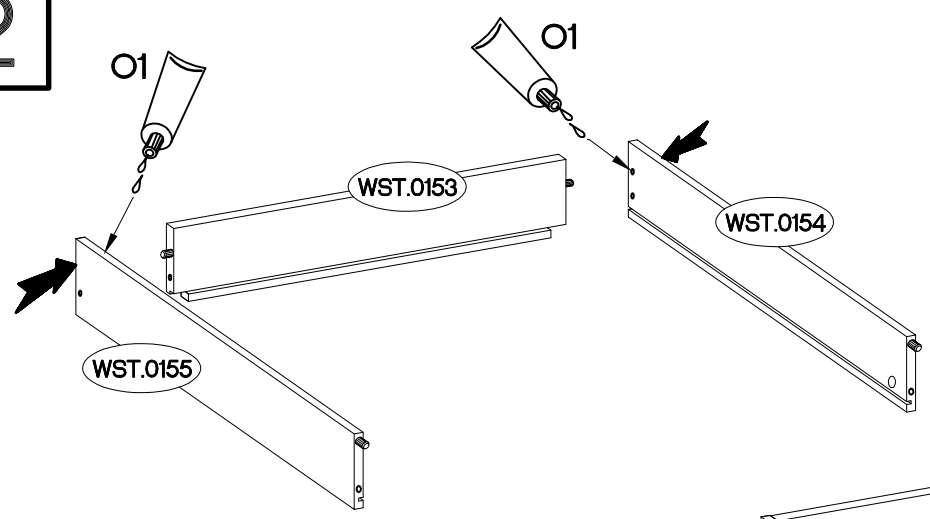
Colli	Ersatzteil Nummer	Dimension
Colli 4/4	FLA.706 x2	189x596x16
	FLA.709	1973x596x16
	FLA.710	1588x596x16



1

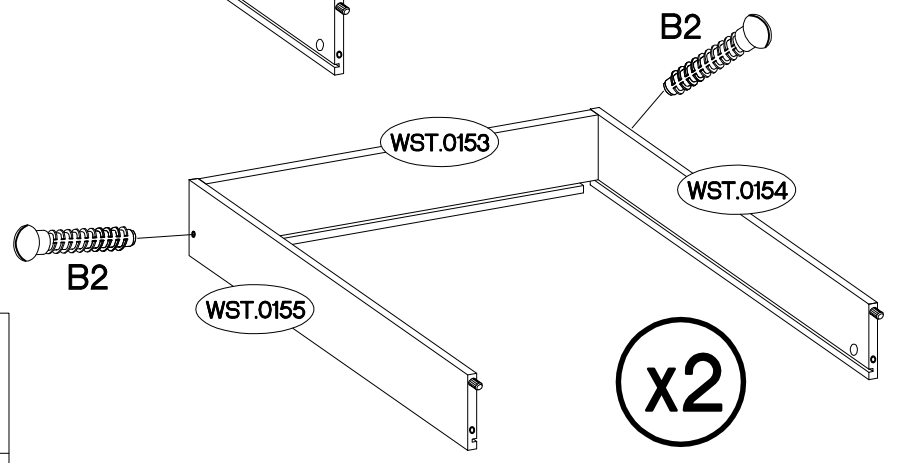
±12/10mm  C5 4	±8x30mm  A 8	 O1 1
---	---	---




2

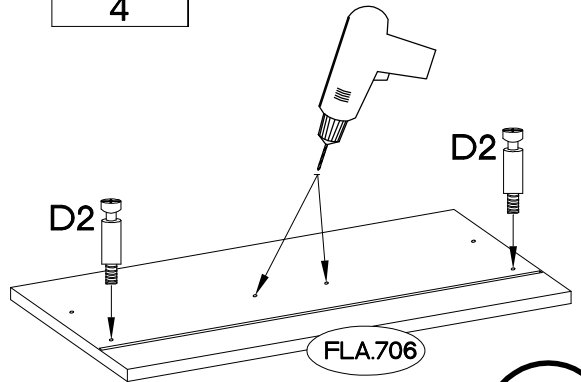


±6x42mm  B2 4	 O1 1
---	--

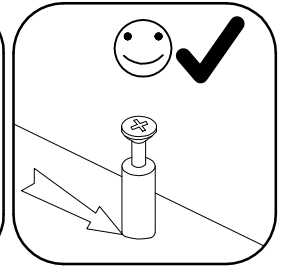
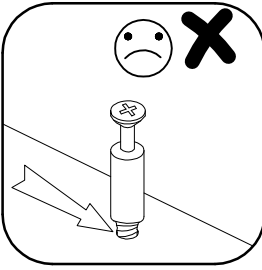
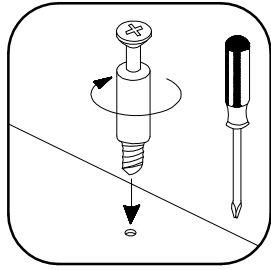
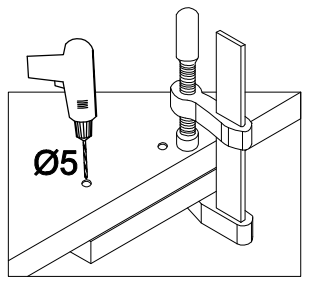
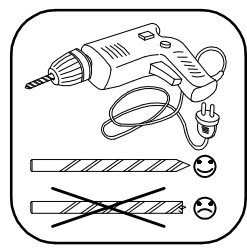


3

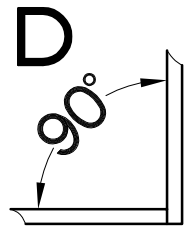
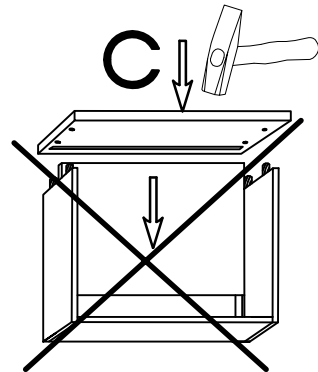
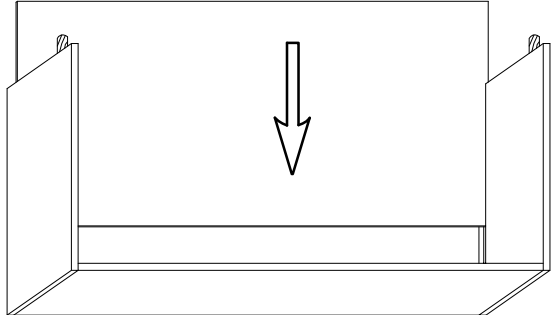
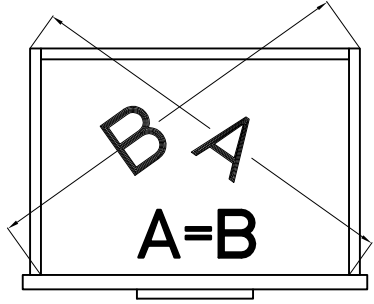
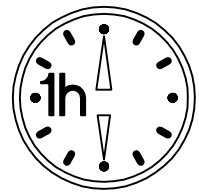
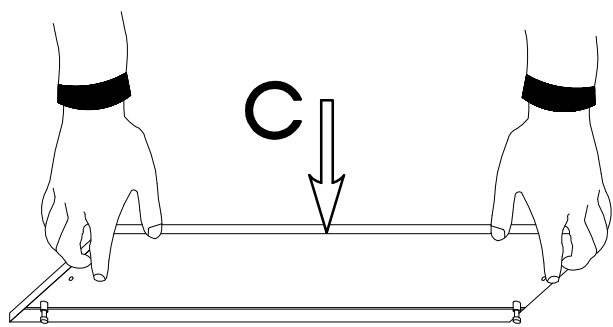
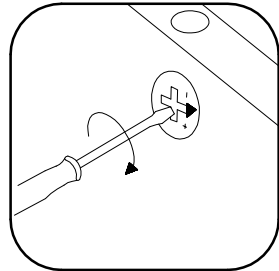
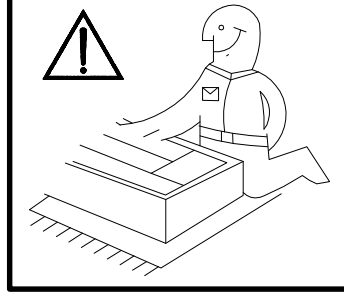
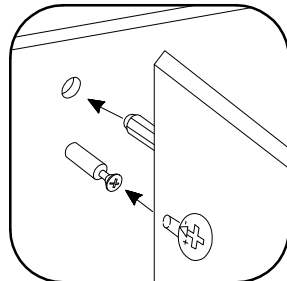
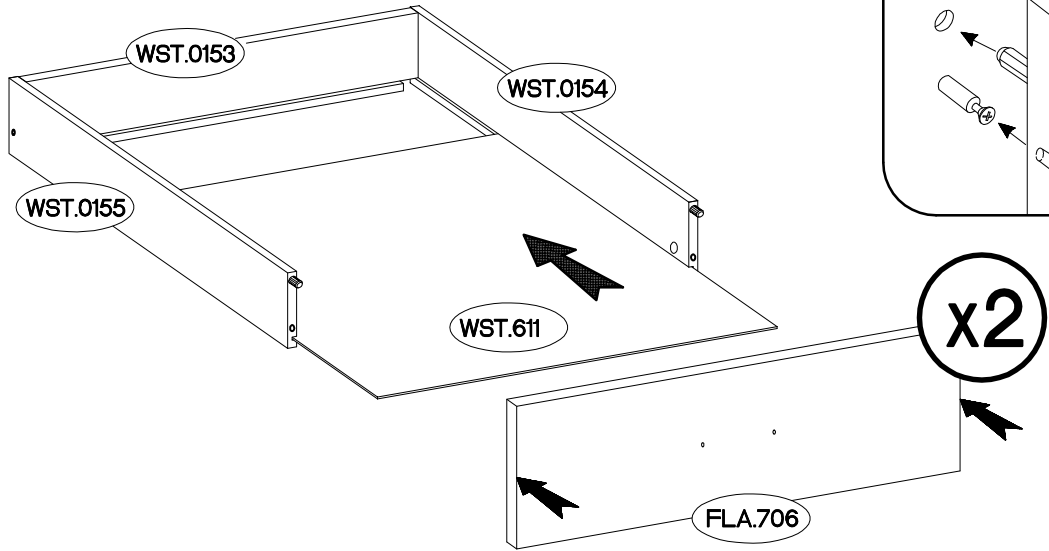
L=20mm  D2 4
--



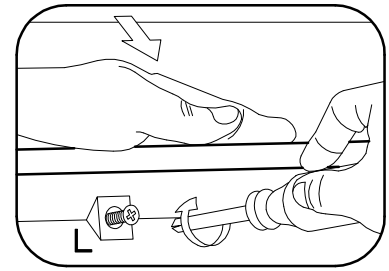
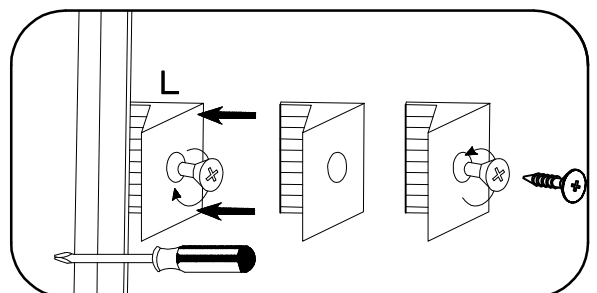
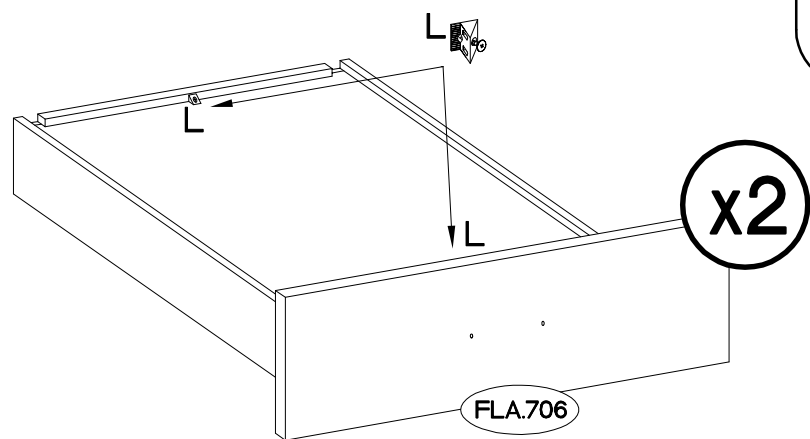
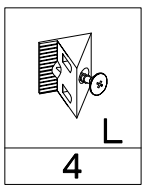
x2



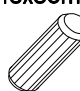


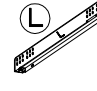


4

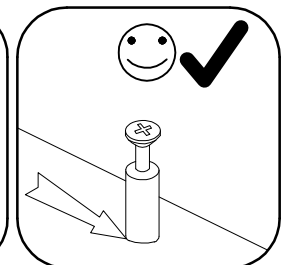
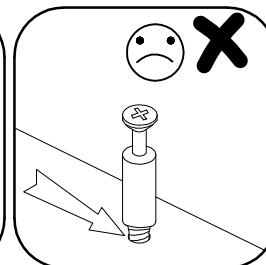
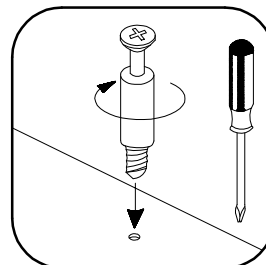
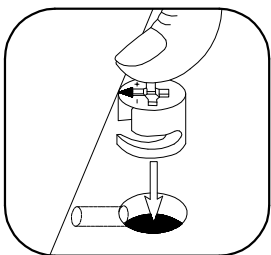
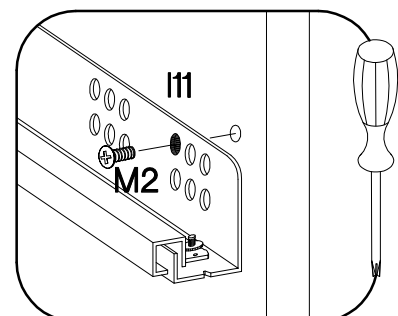
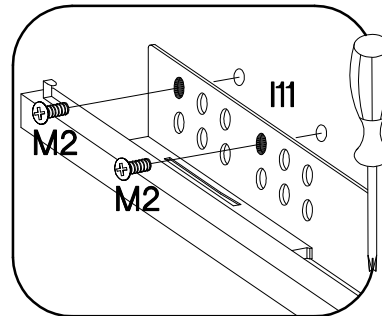
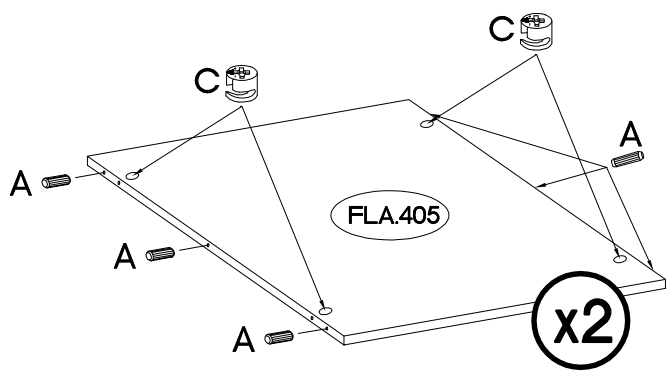
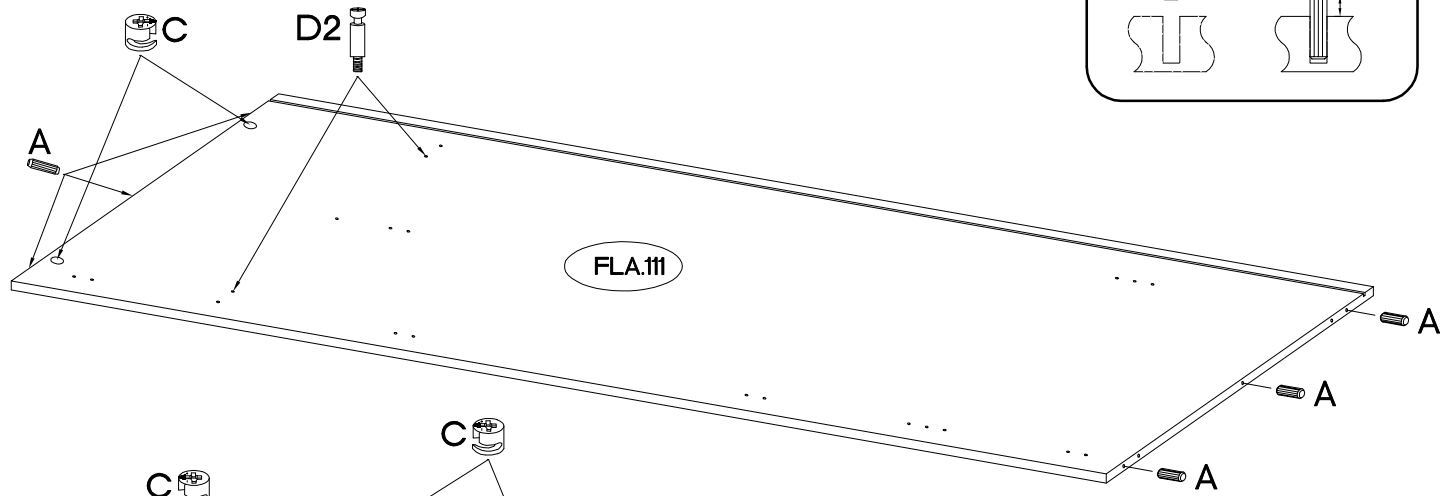
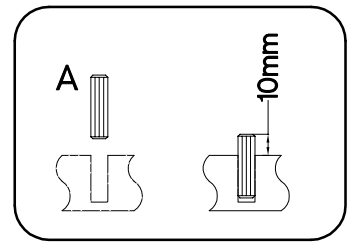
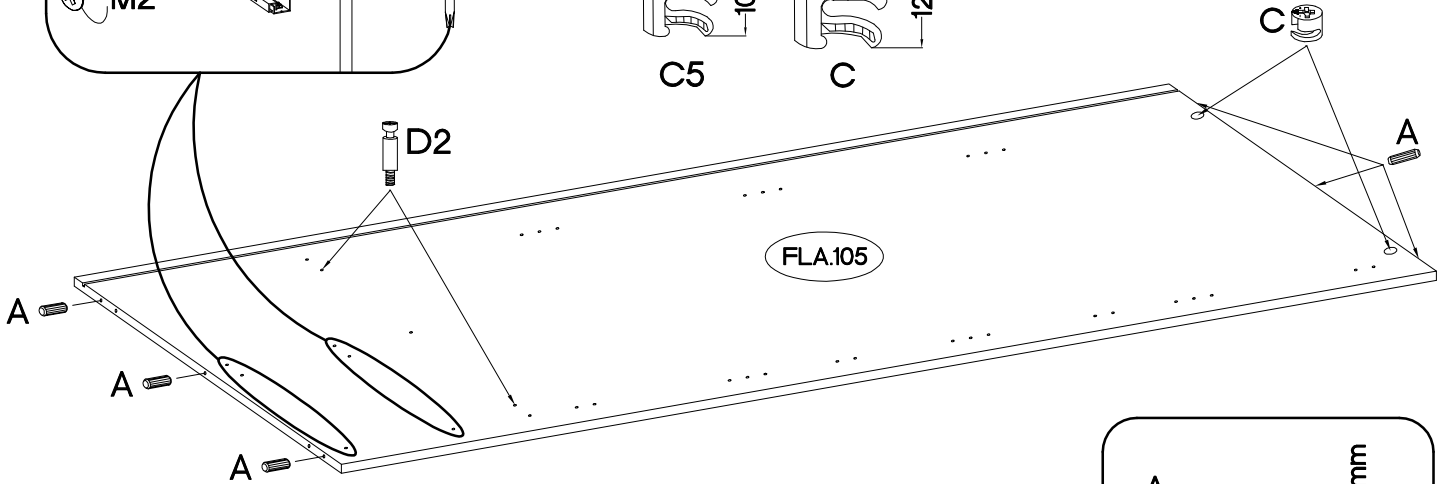
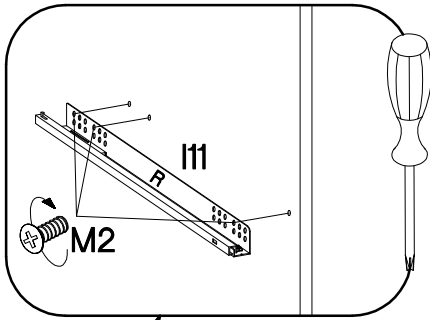
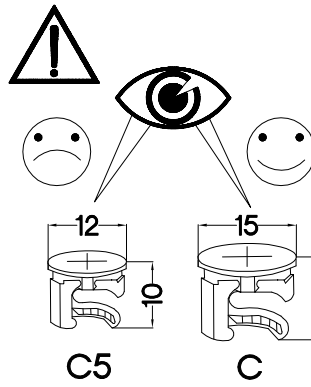
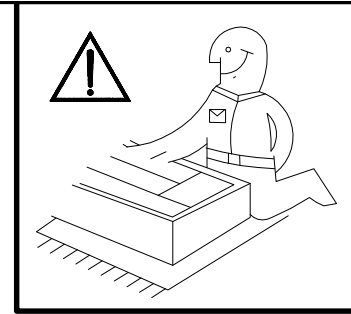


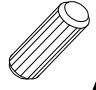

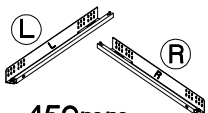

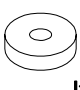

5

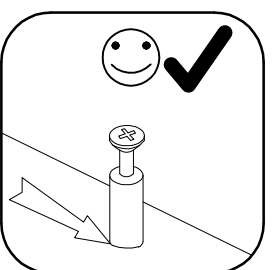
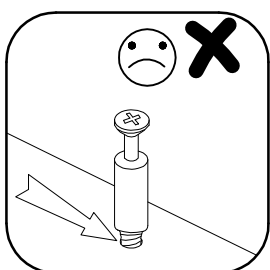
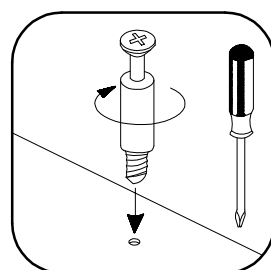
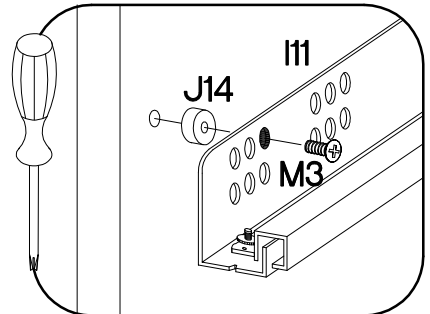
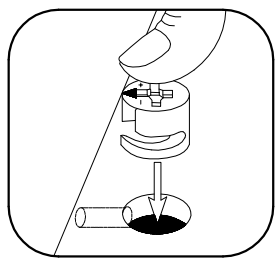
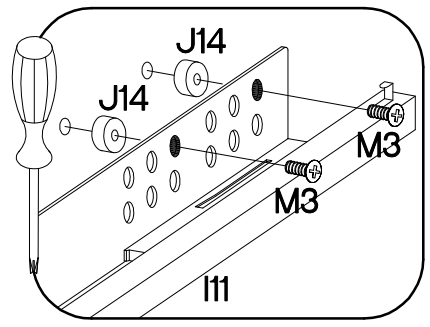
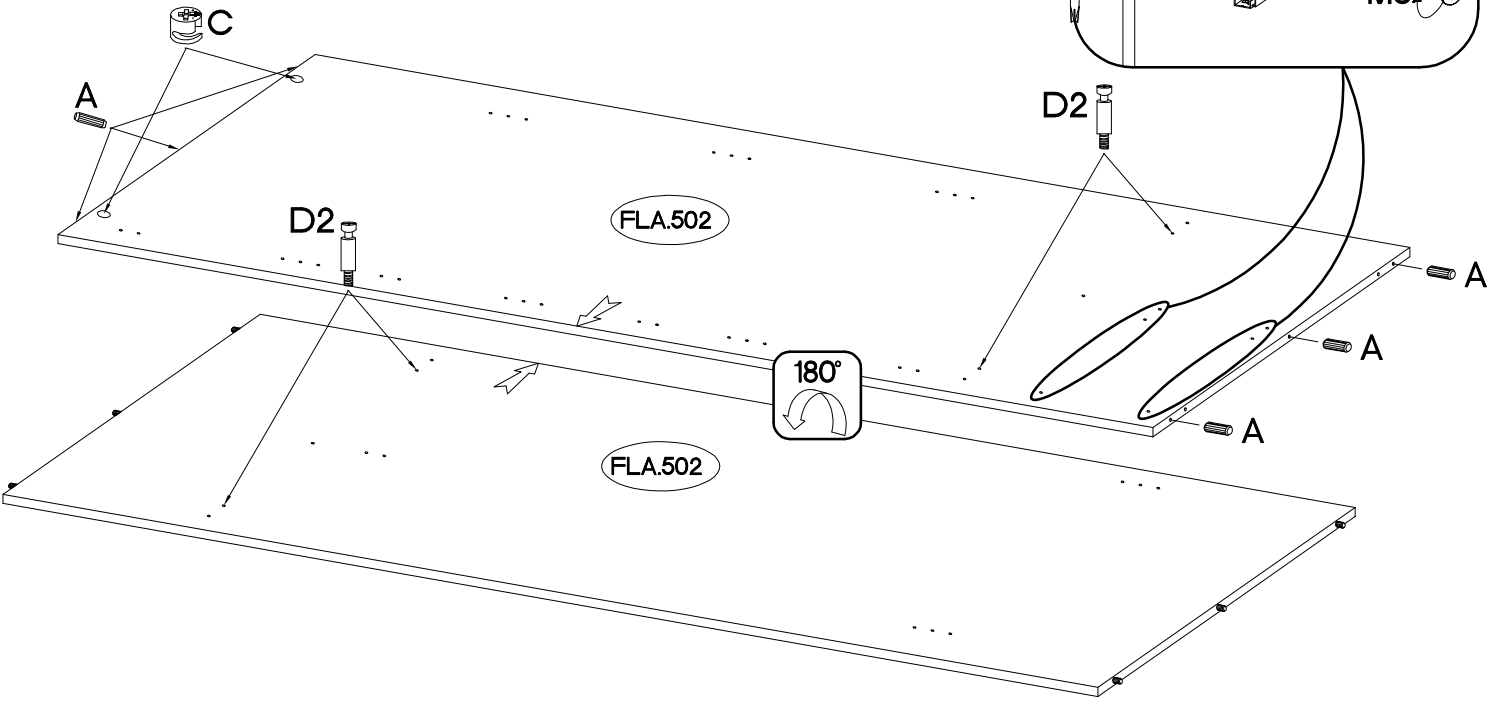
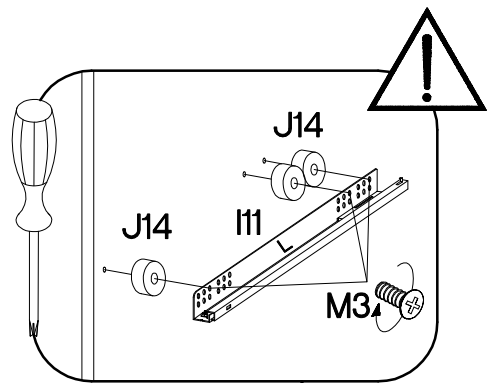
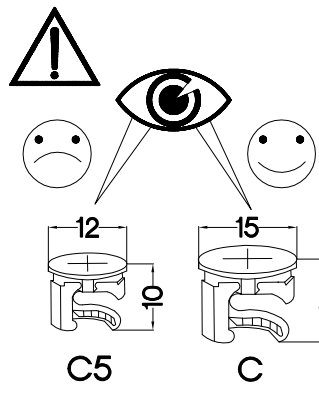
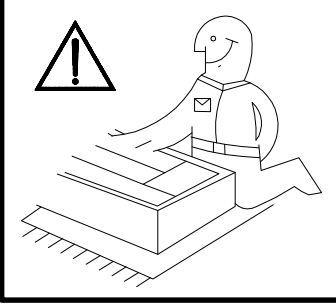




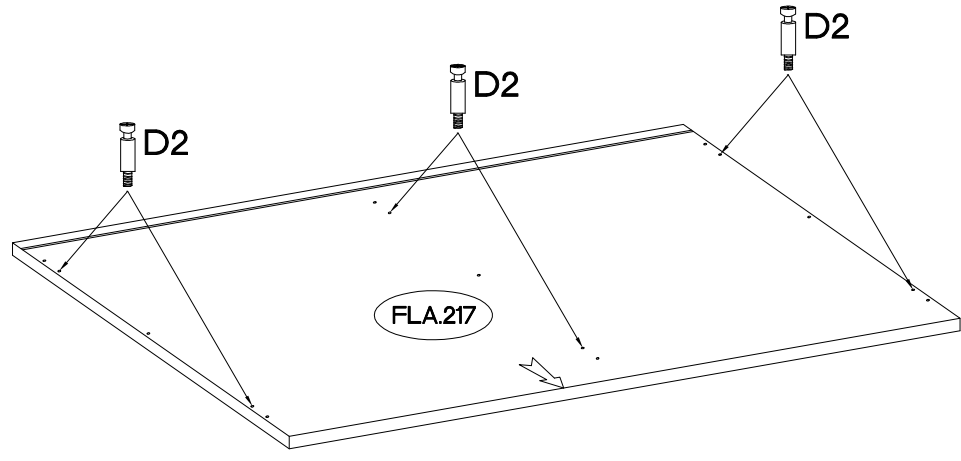
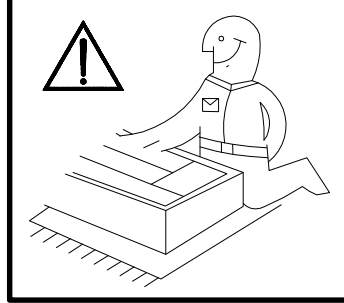
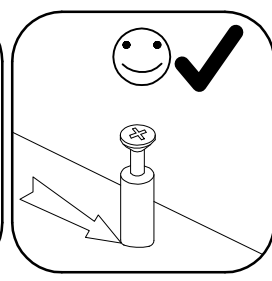
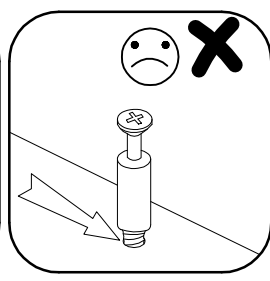
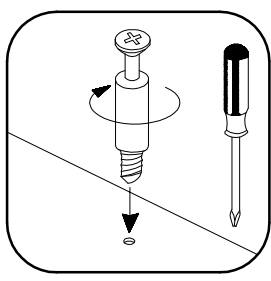
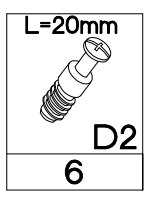
$\pm 8 \times 30 \text{mm}$  A 24	$\pm 15/12 \text{mm}$  C 12	L=20mm  D2 4	L=450mm  L  R I11 2	$\pm 6.3 \times 13 \text{mm}$  M2 6
--	--	---	---	--



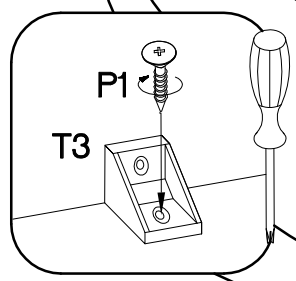
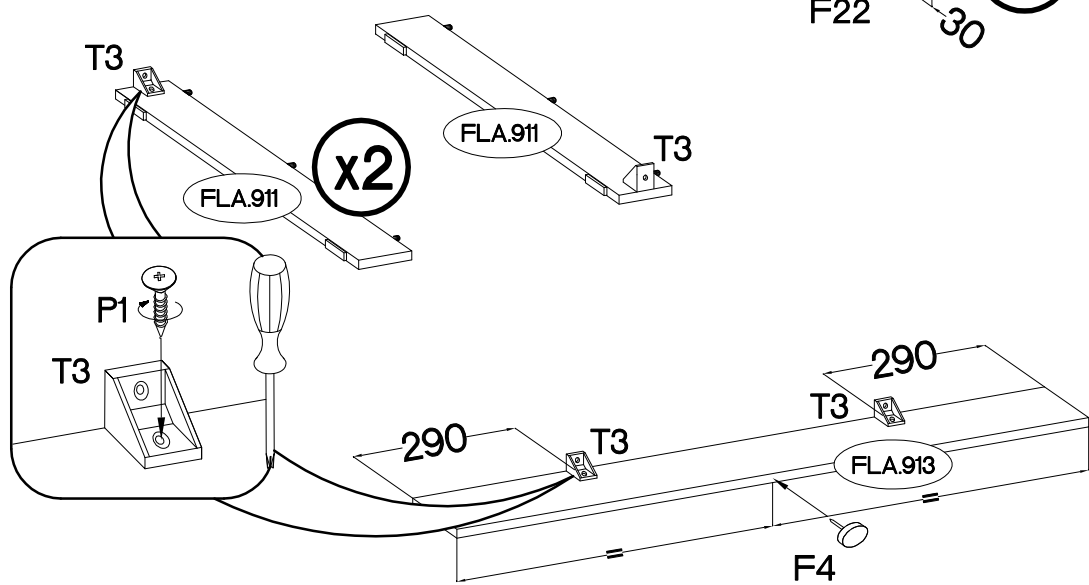
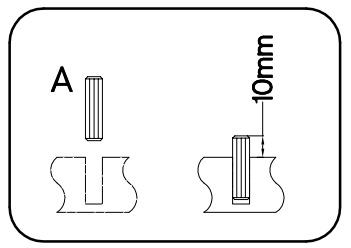
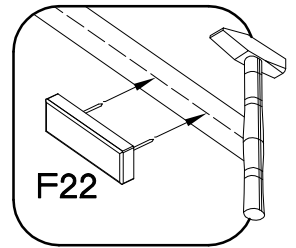
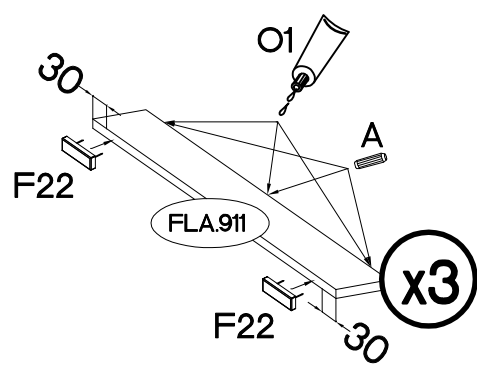
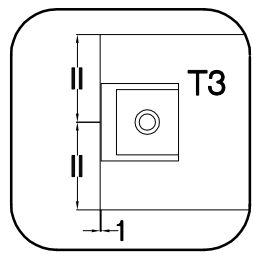
$\pm 8 \times 30 \text{mm}$  A	$\pm 15 / 12 \text{mm}$  C	$L=450 \text{mm}$  I11	$\pm 6.3 \times 20 \text{mm}$  M3	$\pm 20 / 8 \text{mm}$  J14	$L=20 \text{mm}$  D2
6	2	2	6	6	4



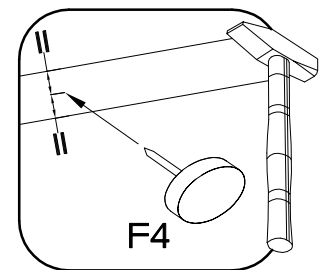
8



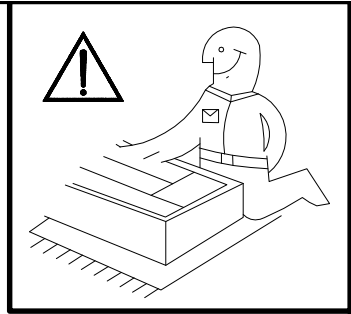
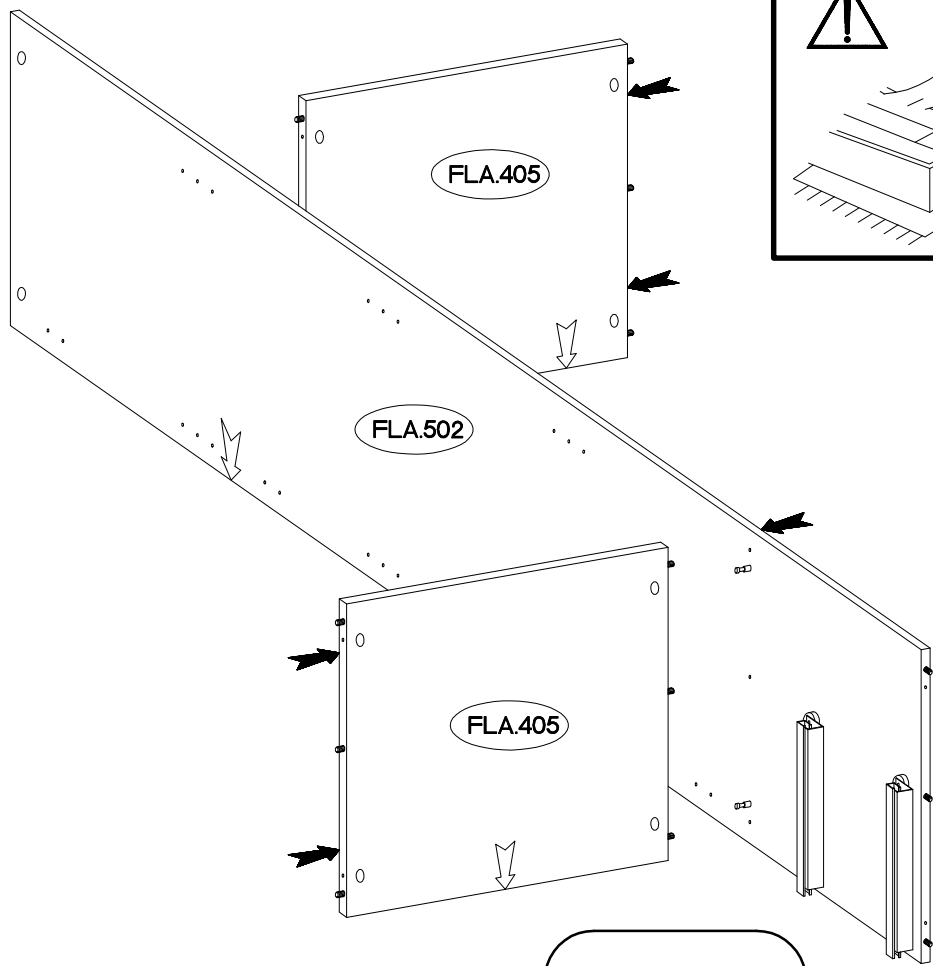
9



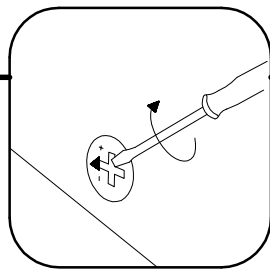
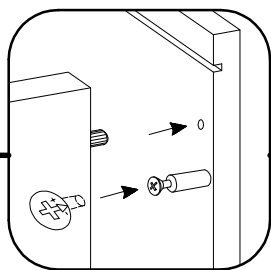
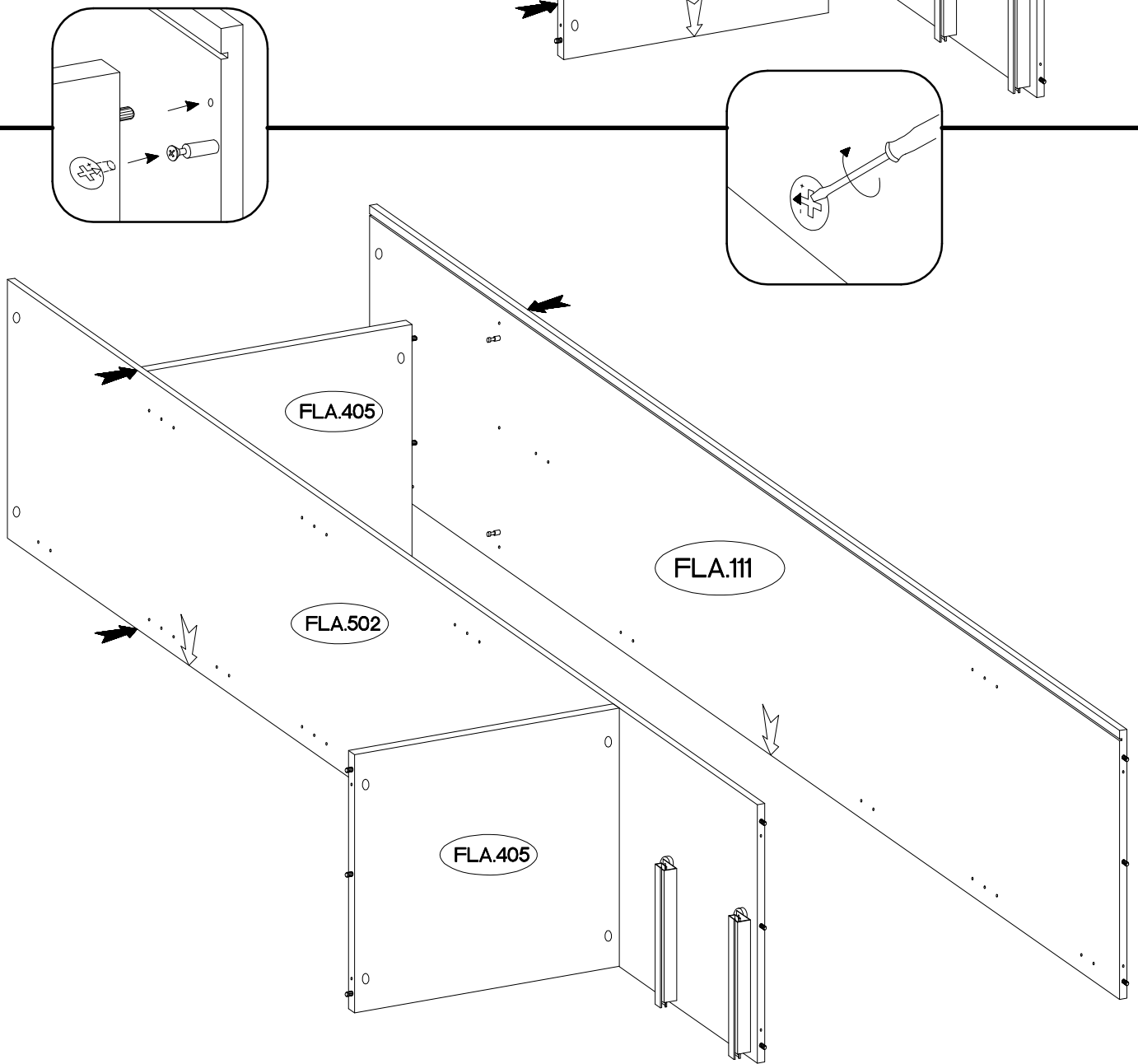
T3	P1	F22	F4	O1	A
5	5	6	1	1	9



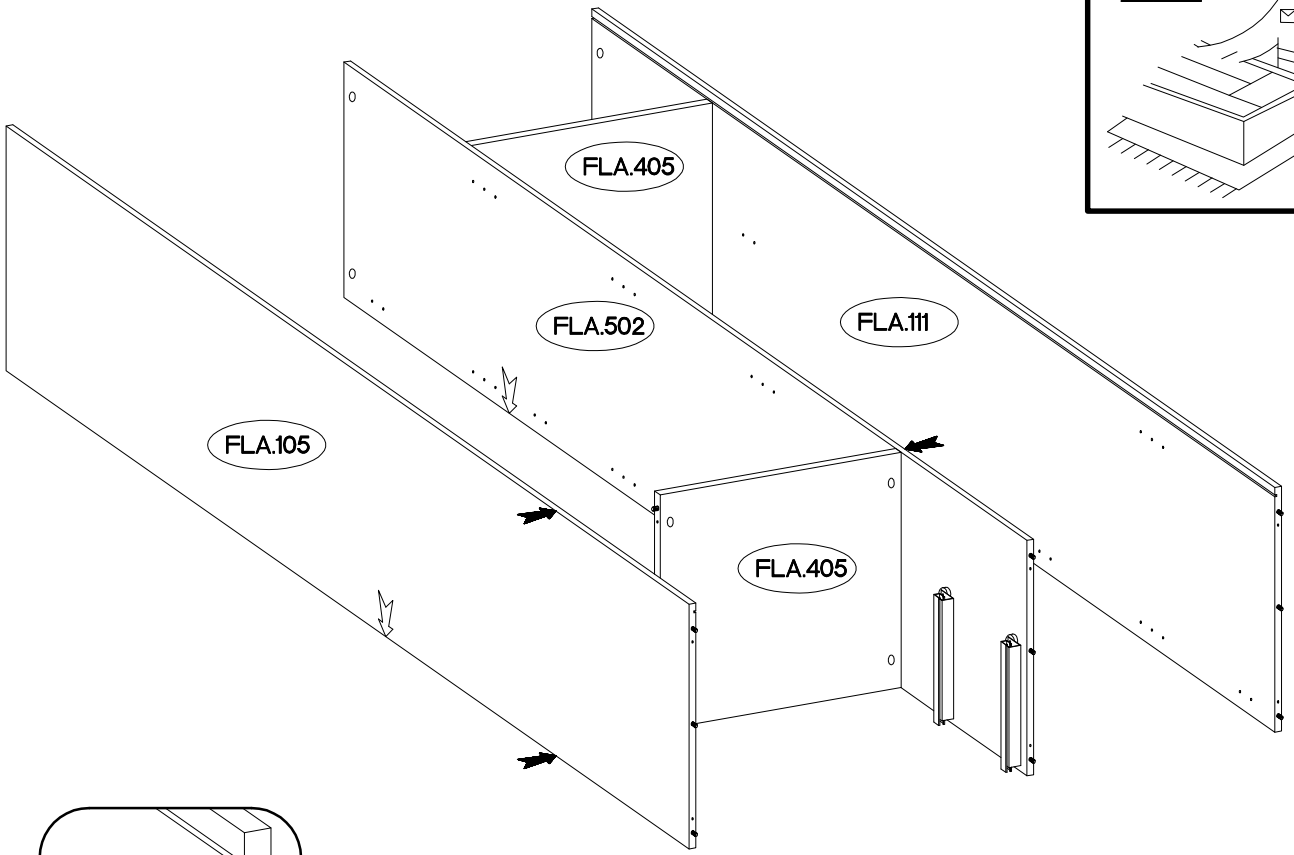
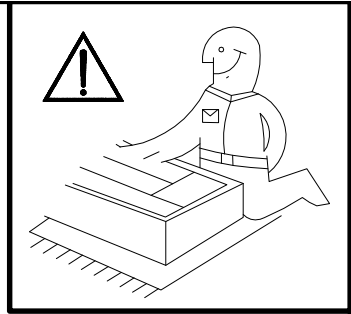
10



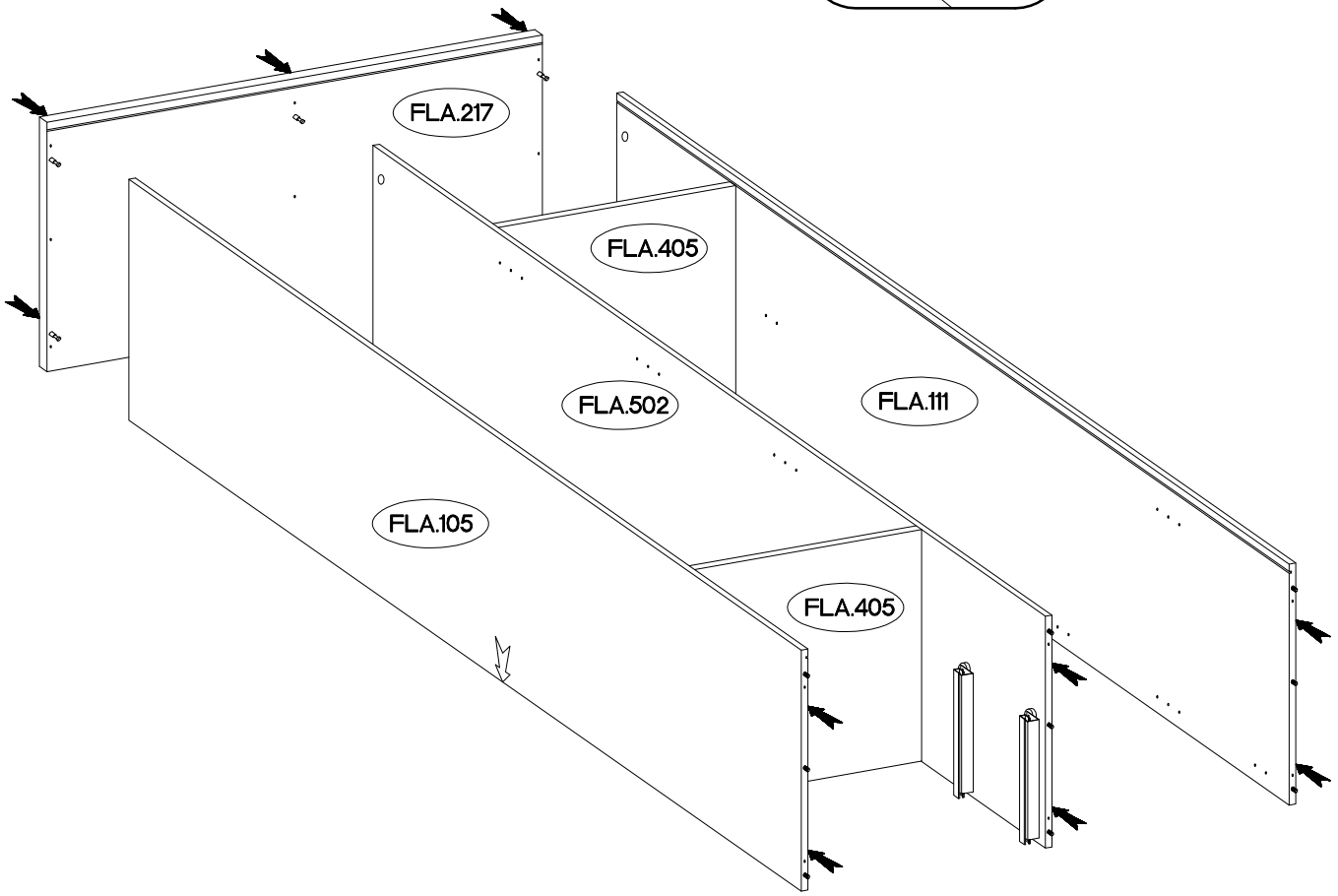
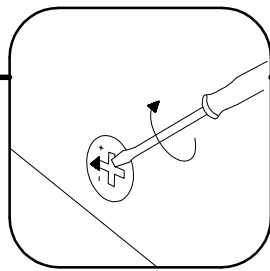
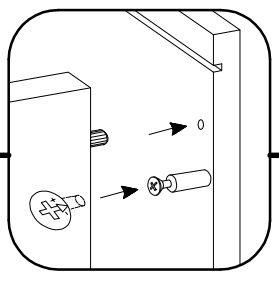
11

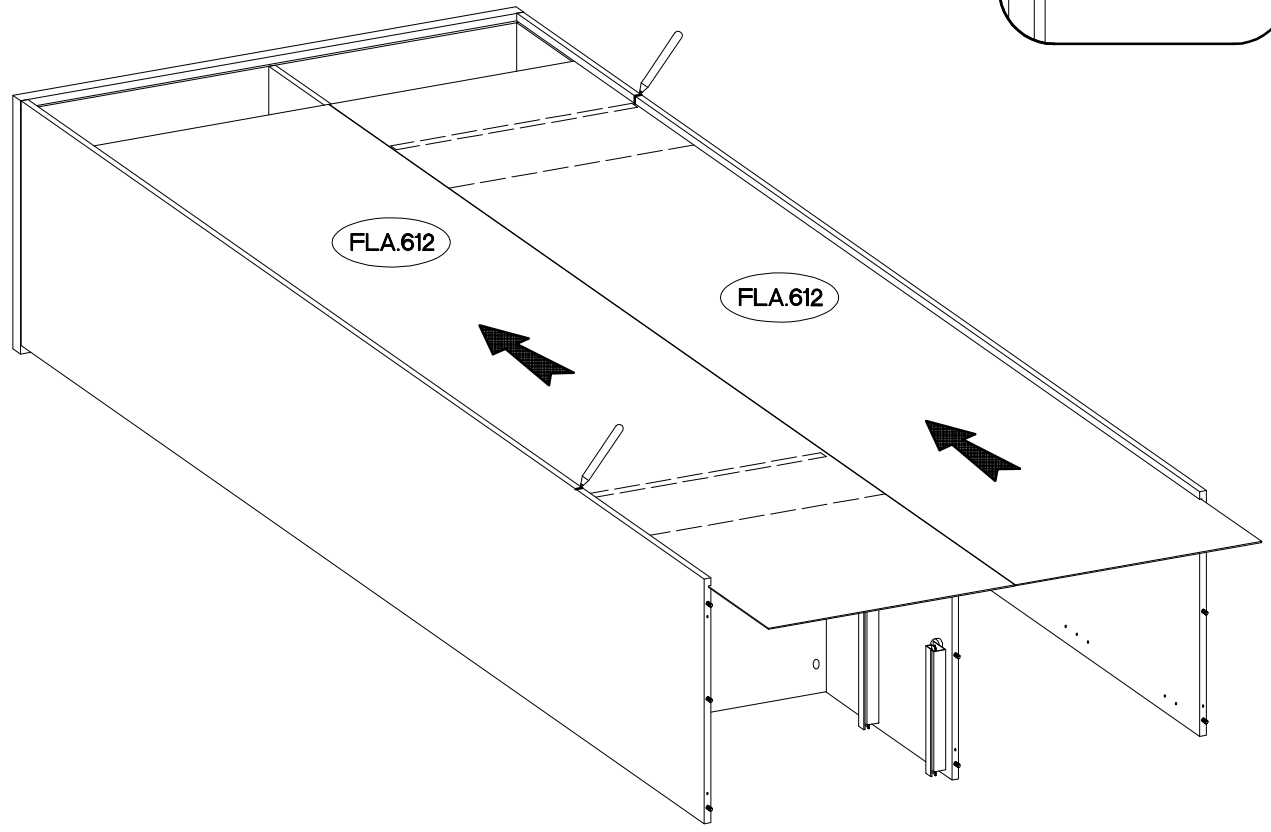
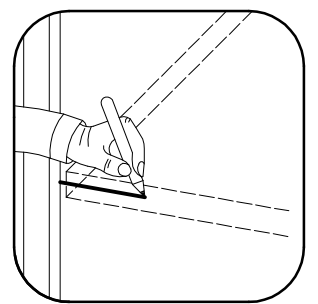
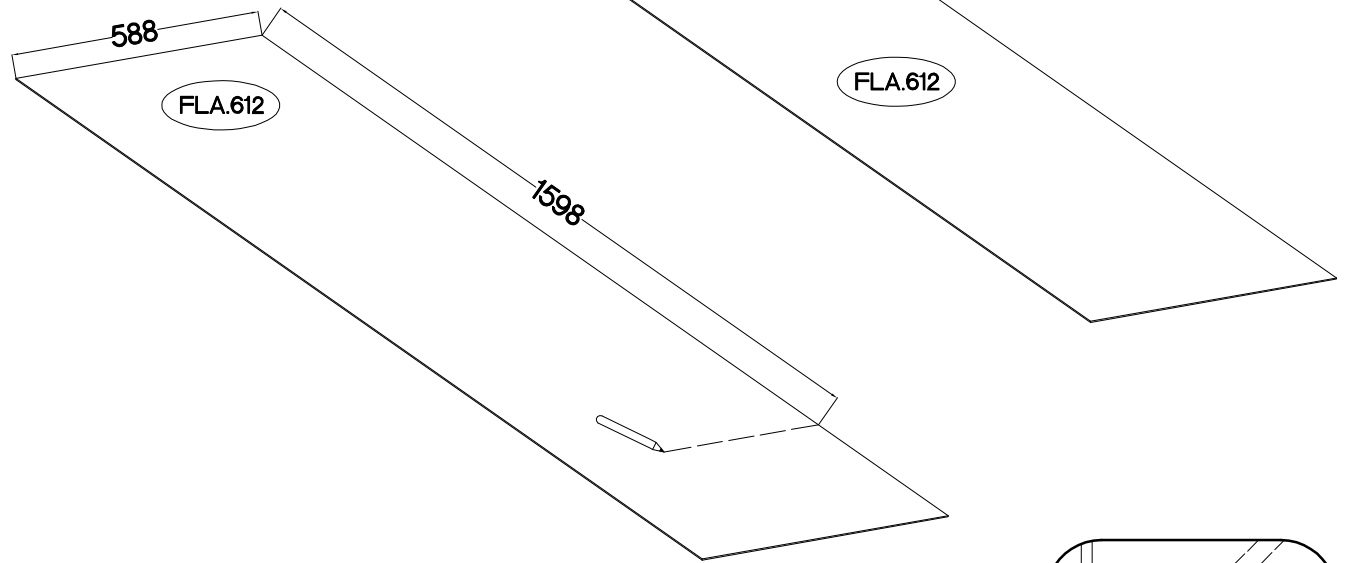
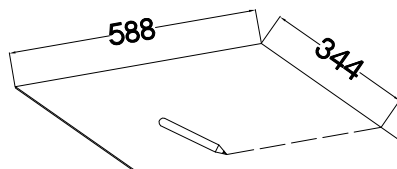
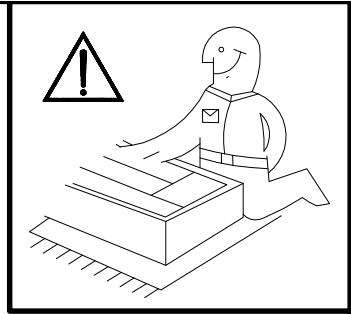


12

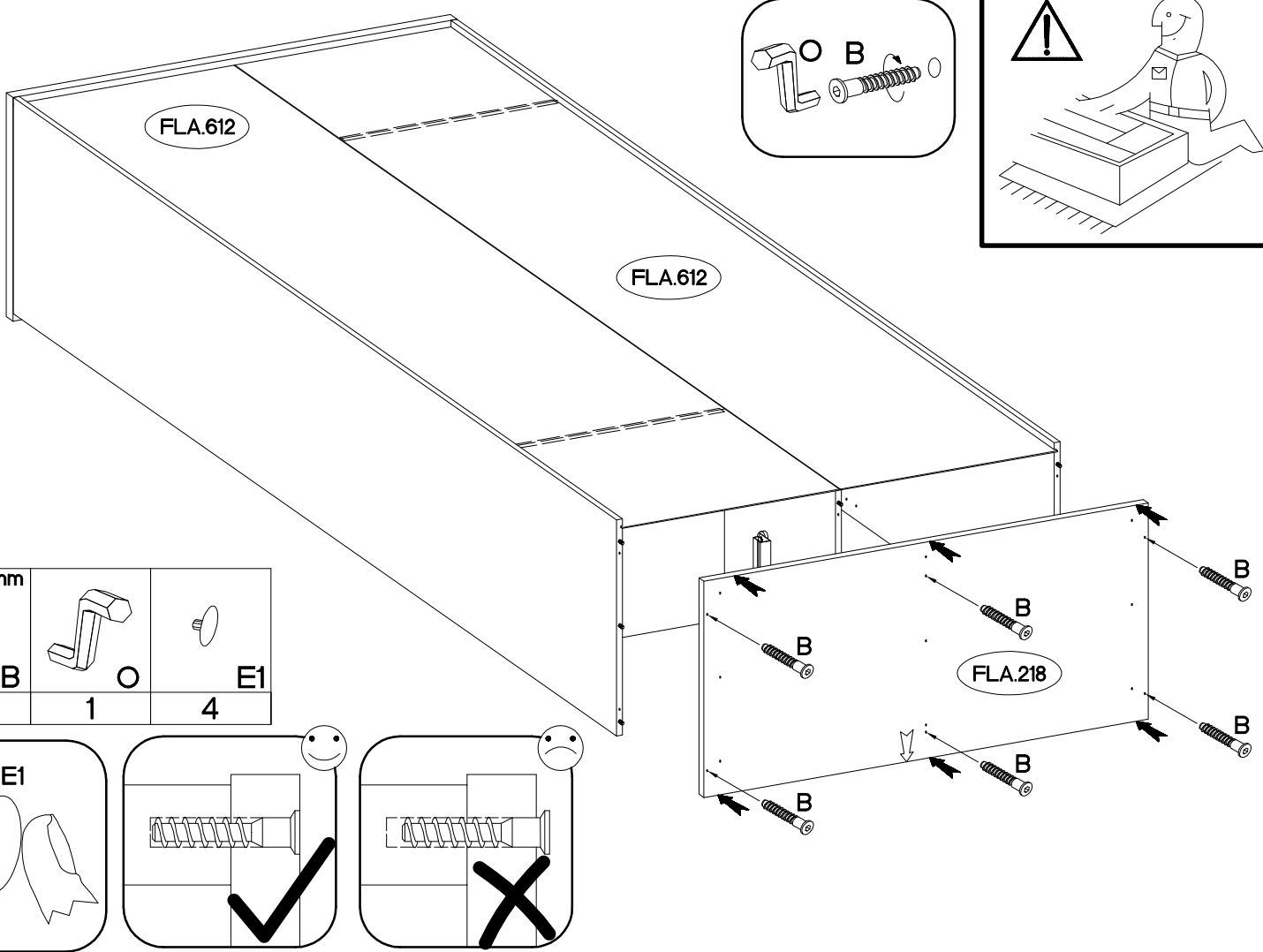


13

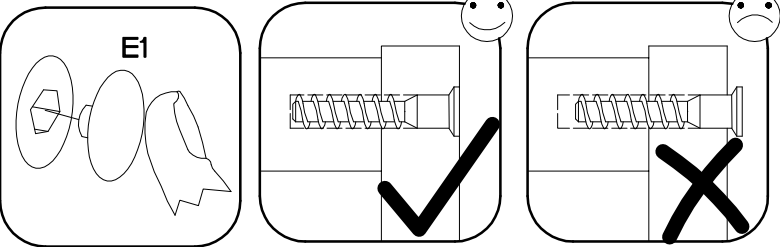




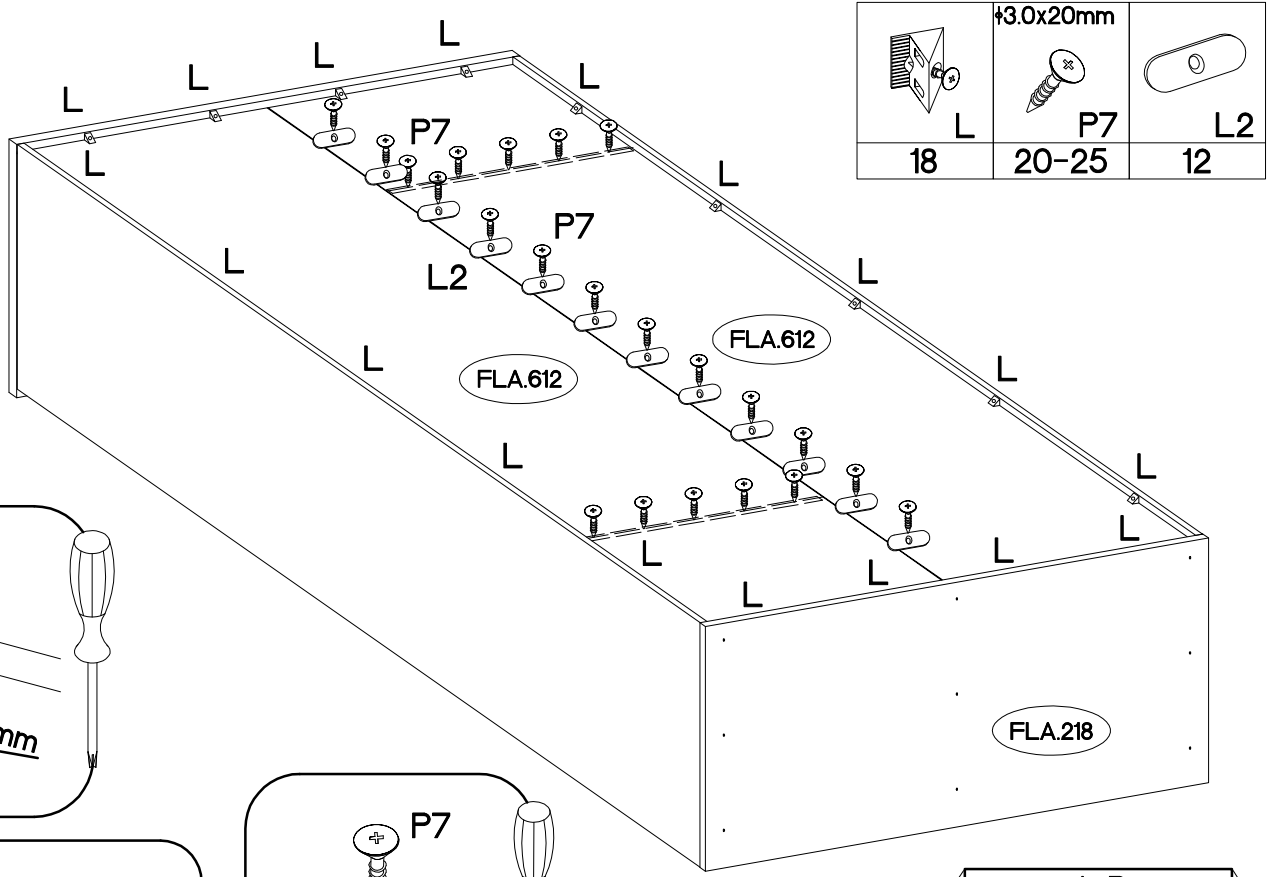
# 15



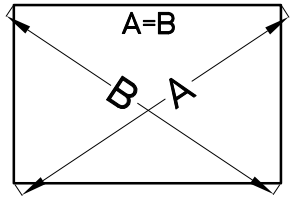
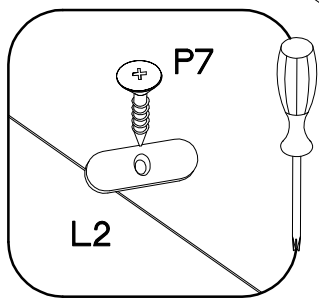
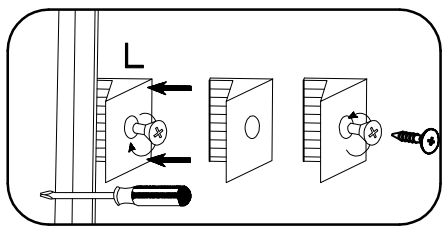
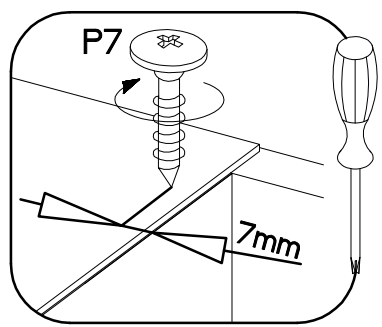
6,4 x 50mm			
	<b>B</b>	<b>O</b>	<b>E1</b>
	6	1	4



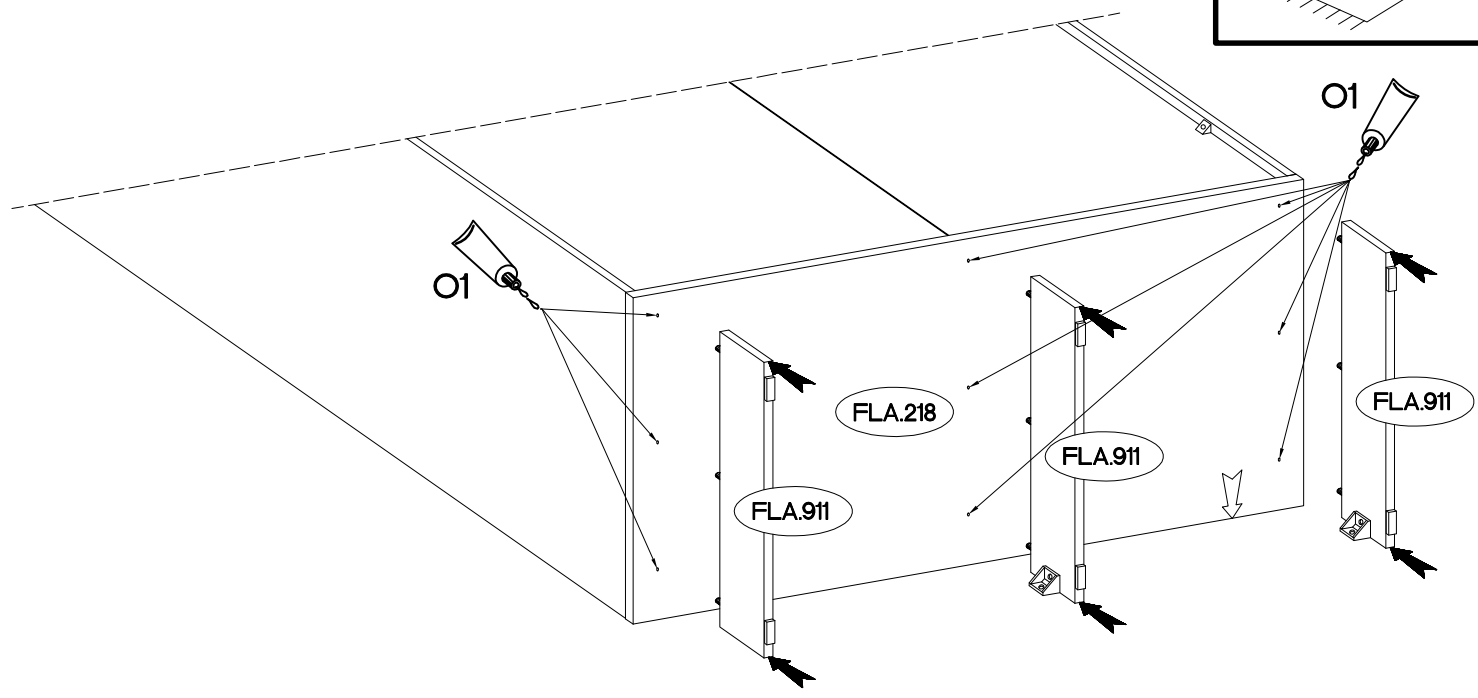
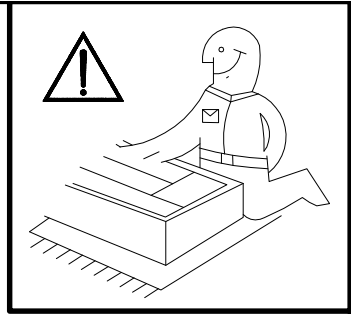
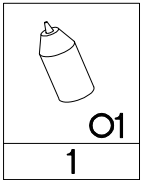
# 16



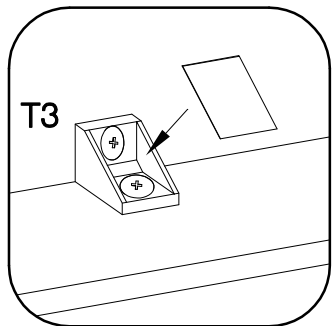
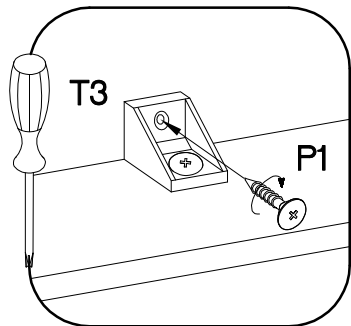
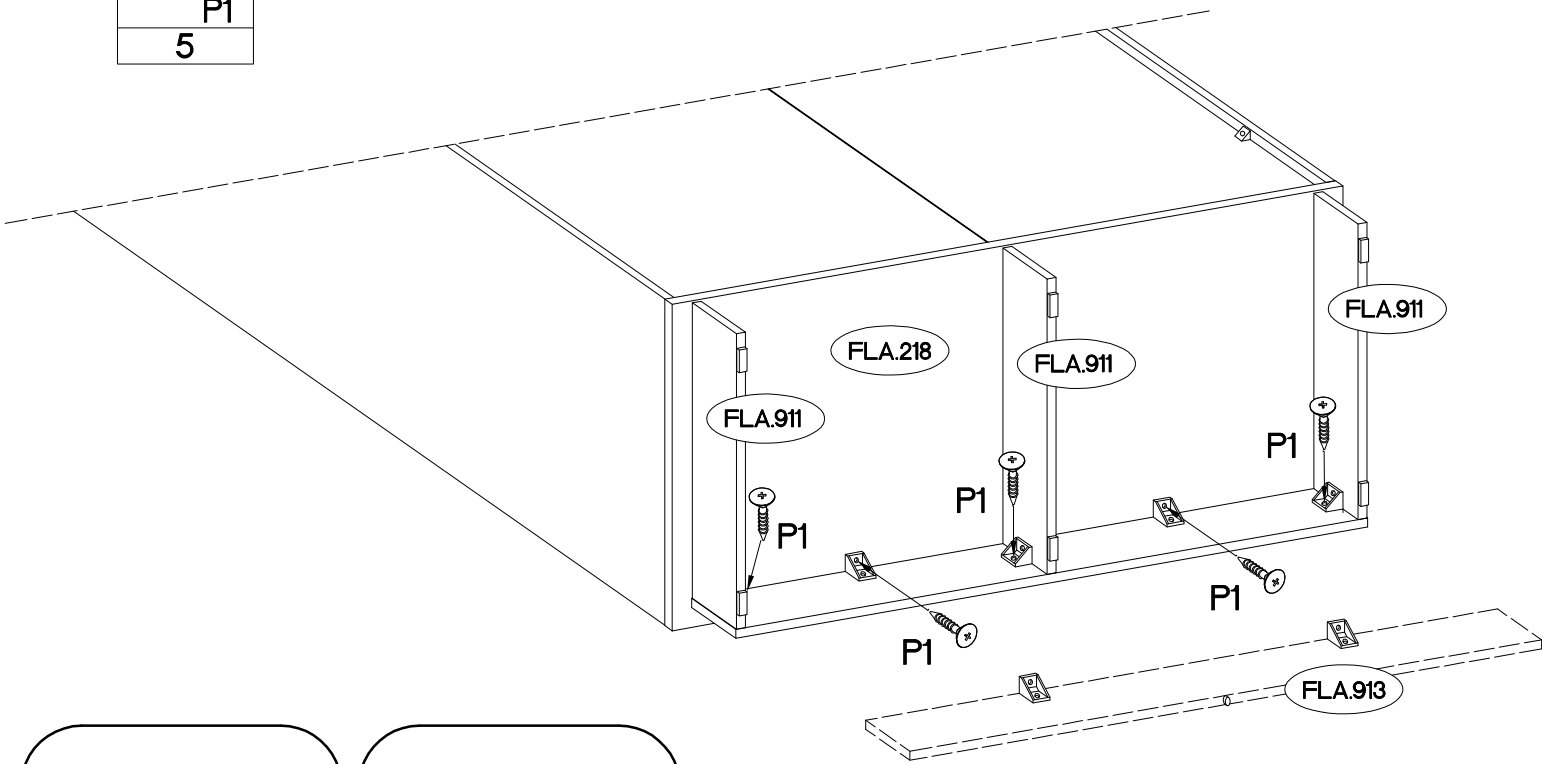
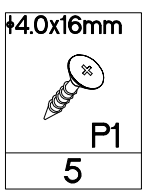
	±3.0x20mm		
<b>L</b>		<b>P7</b>	<b>L2</b>
18		20-25	12



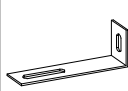

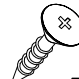

17

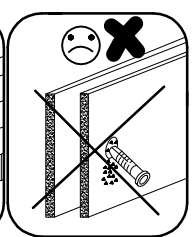
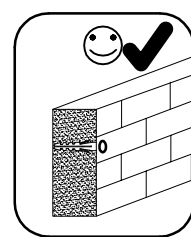
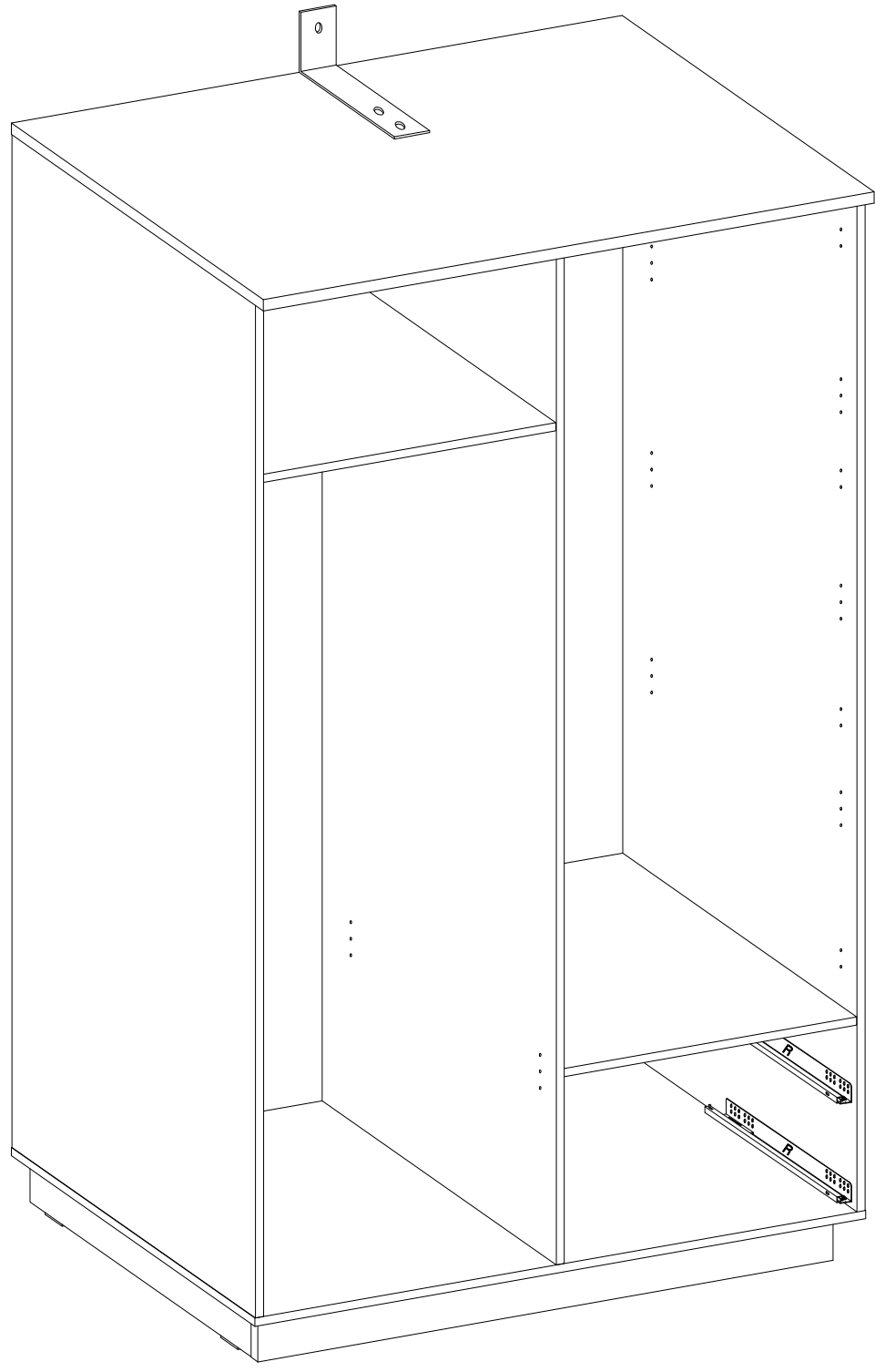
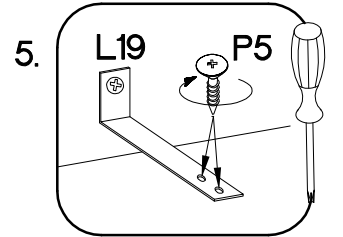
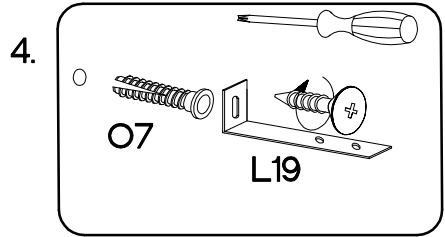
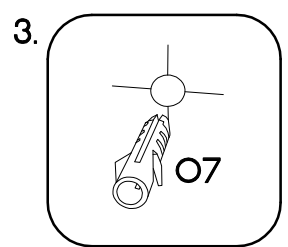
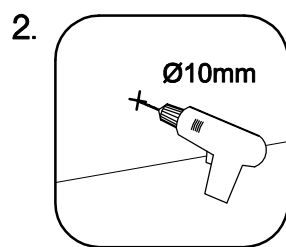
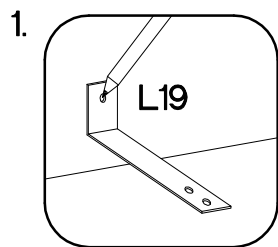


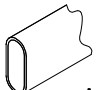



18

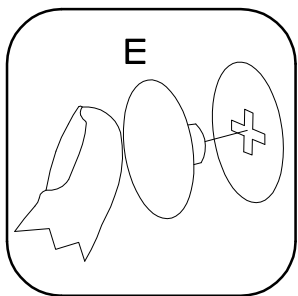
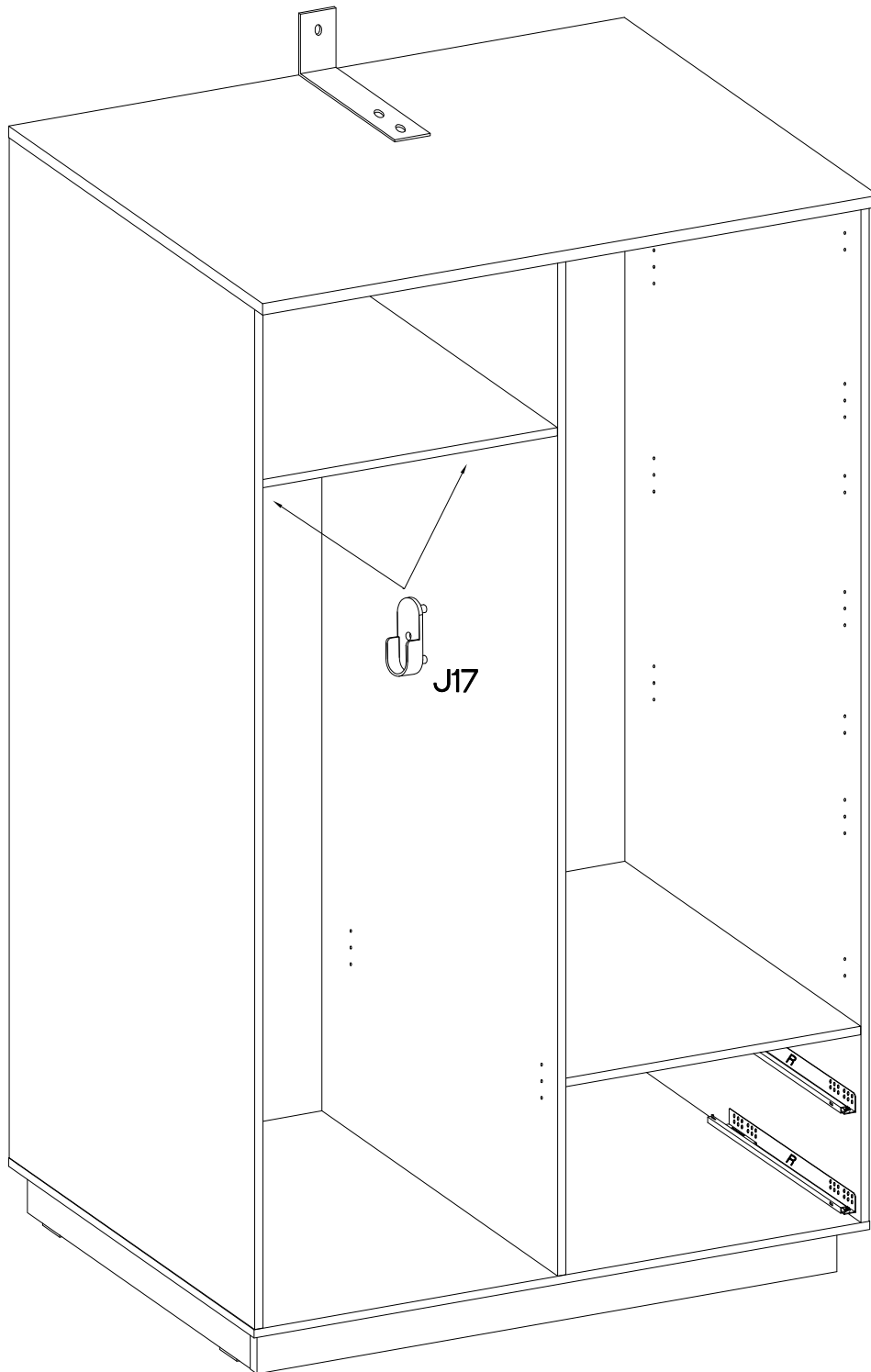




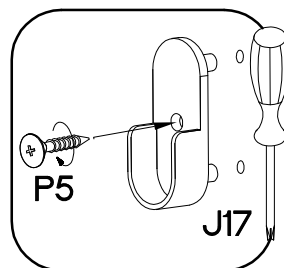
	↑3.5x13mm	↑5.0x60mm	↑10x50mm
			
L19	P5	P12	O7
1	2	1	1



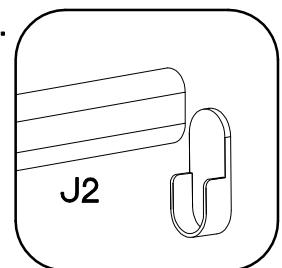
L=570mm  J2	 J17	φ3.5x13mm  P5	 E
1	2	2	14

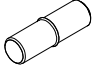


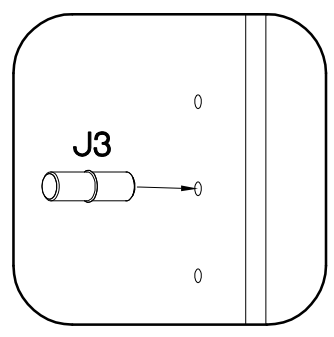
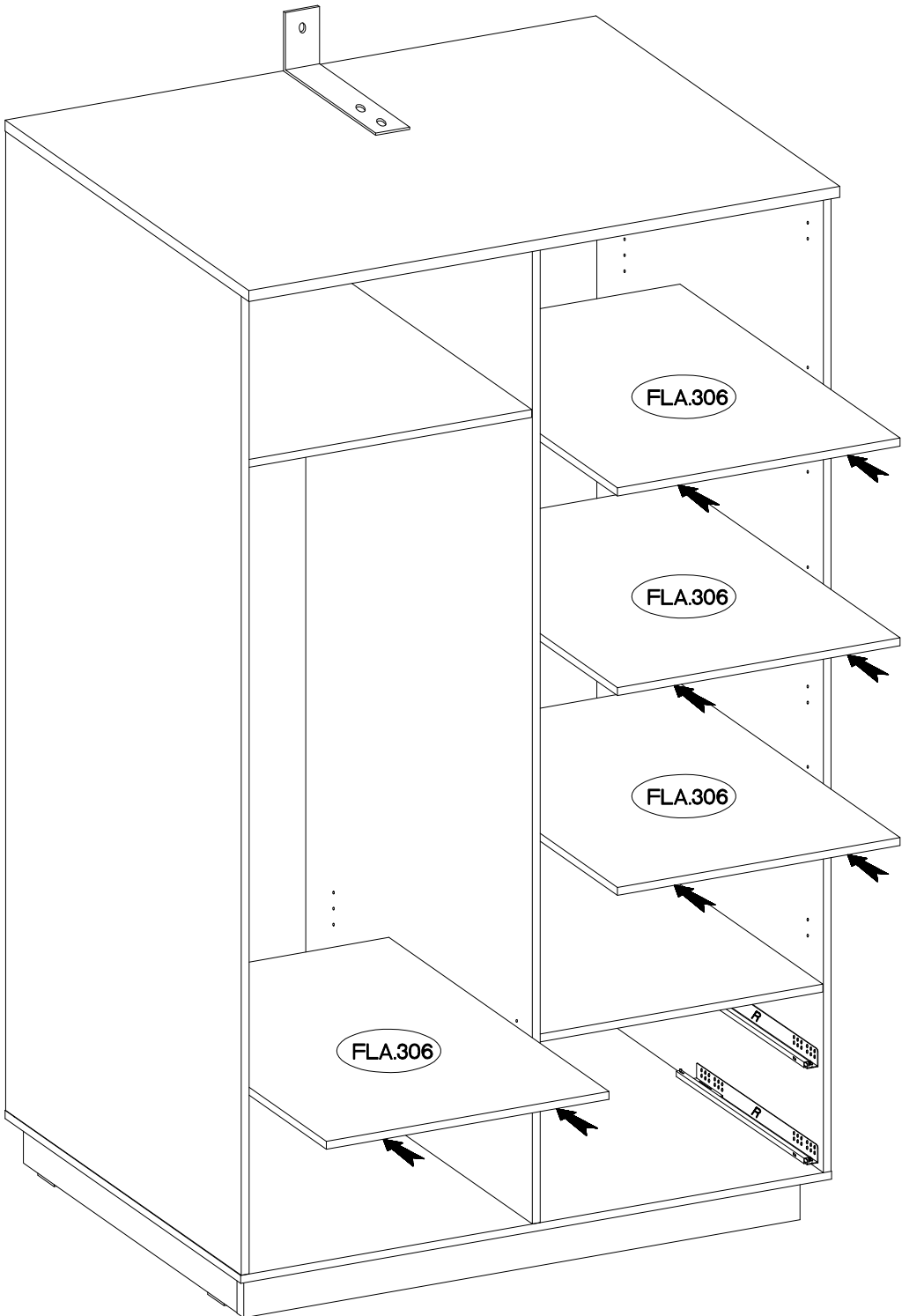
1.



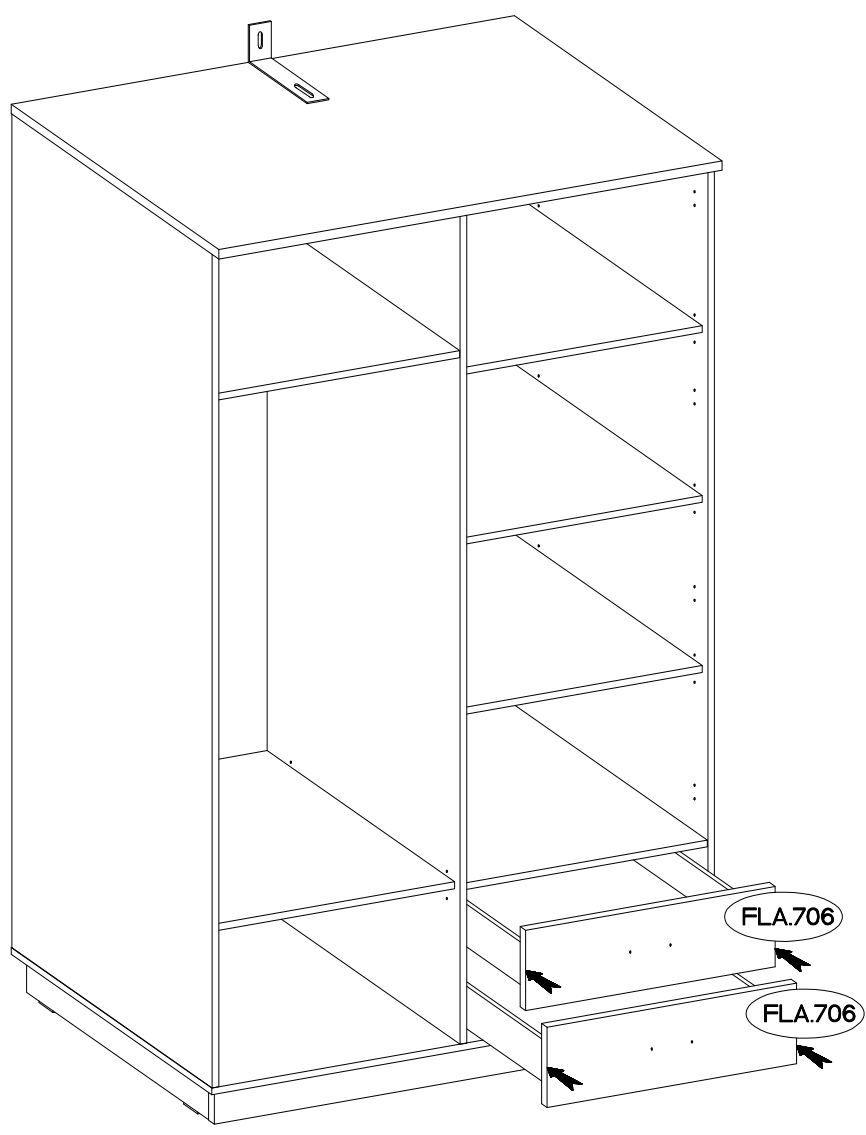
2.



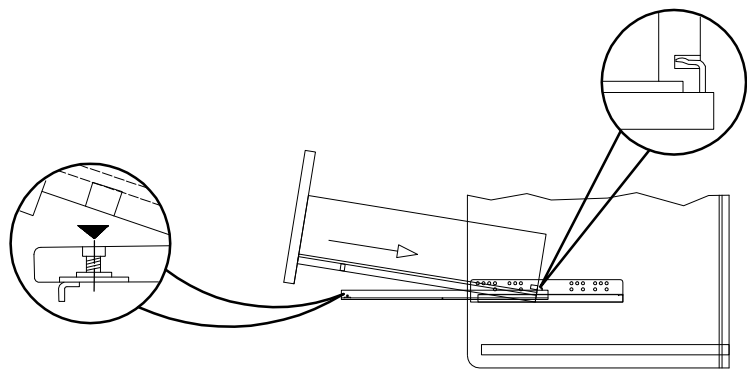
+5/16mm  
  
J3  
16



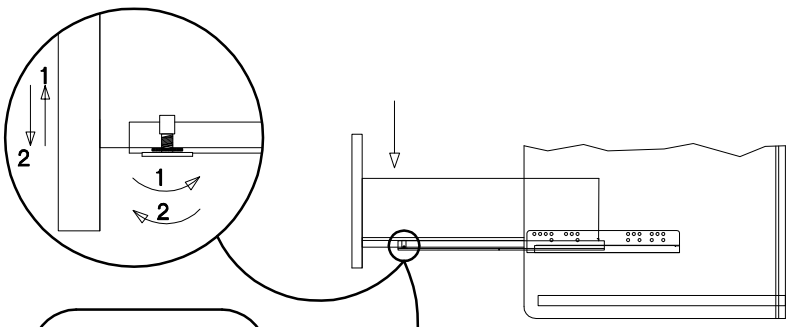
3.0x20mm  
P7  
6



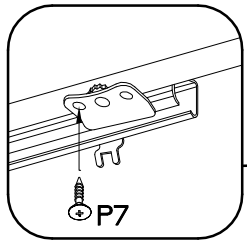
1.

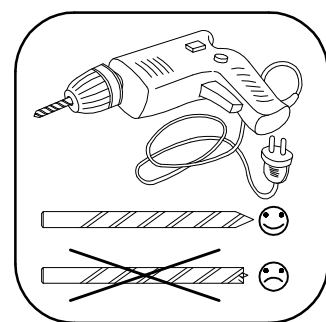
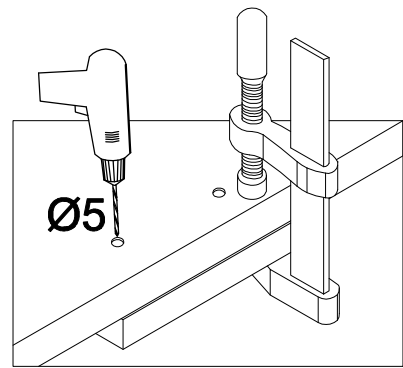
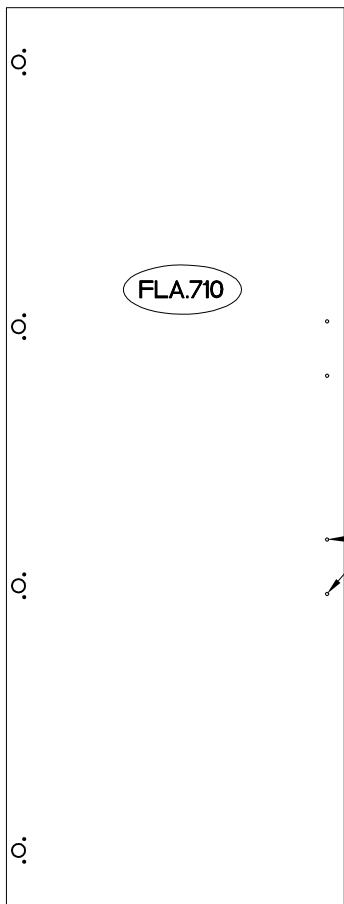
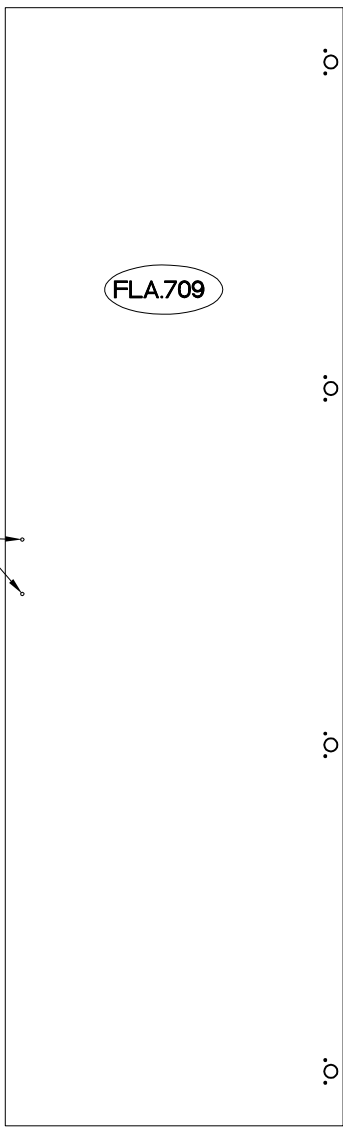


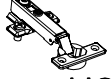

2.

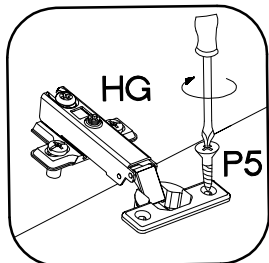
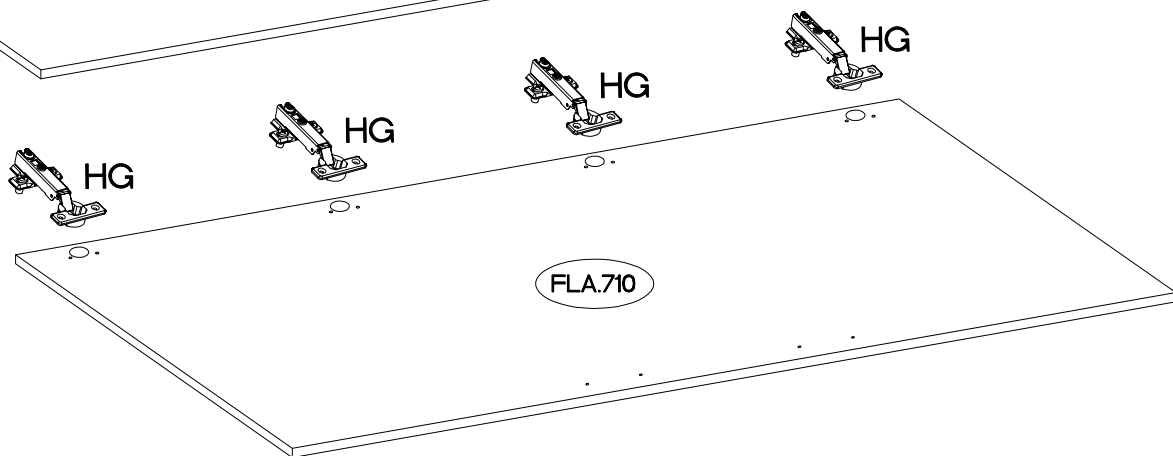
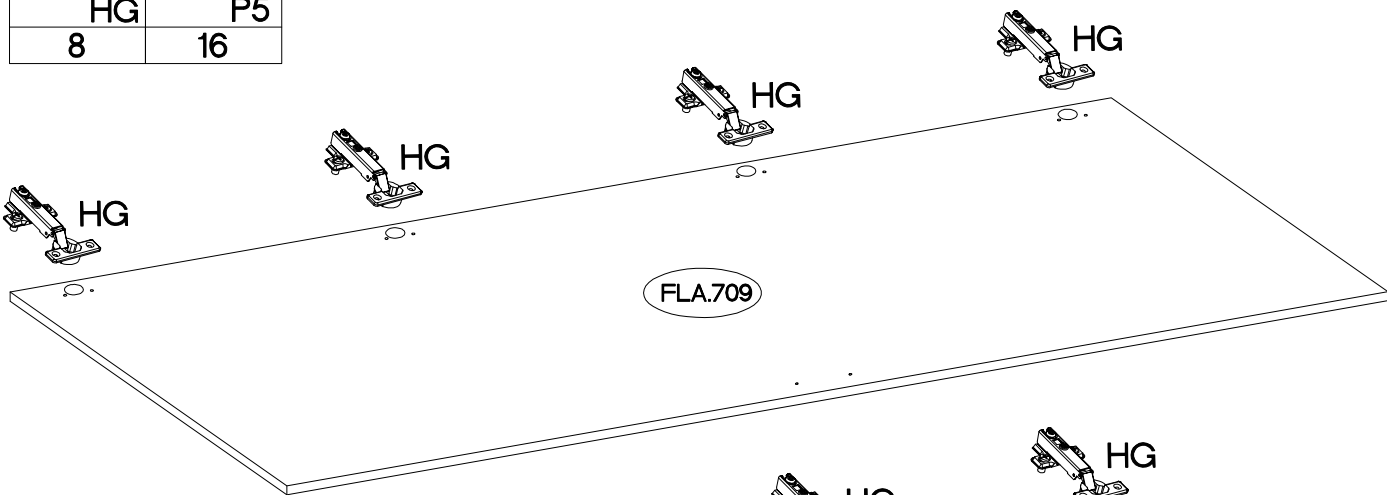


3.





 HG 8	 P5 16
--	---



M4x22mm



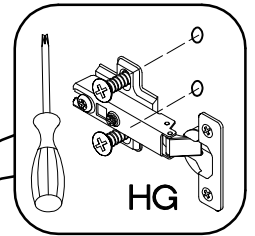
U

8

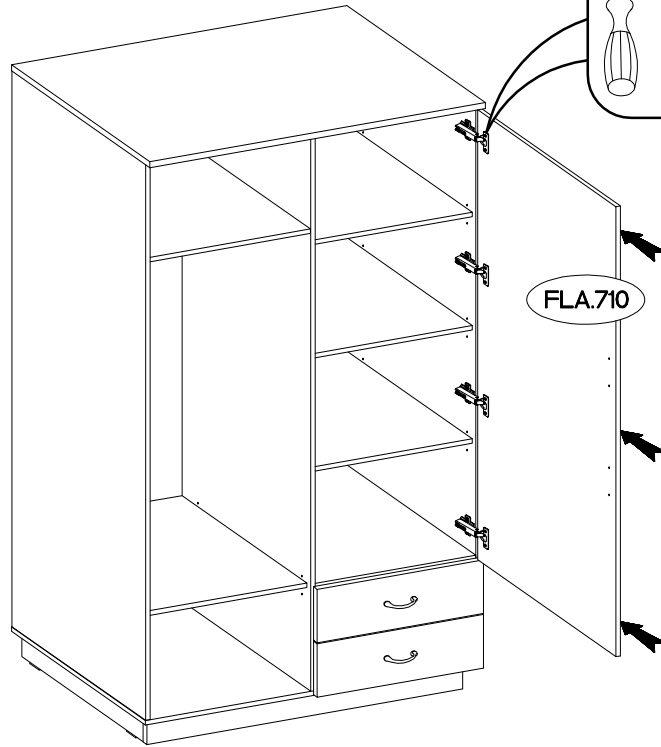


S

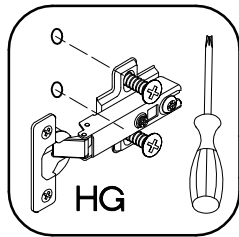
4



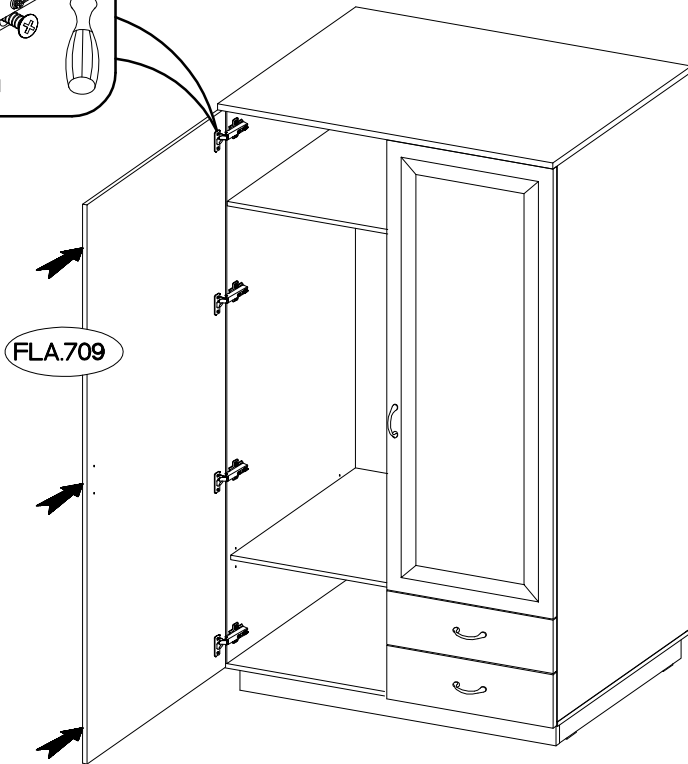
HG



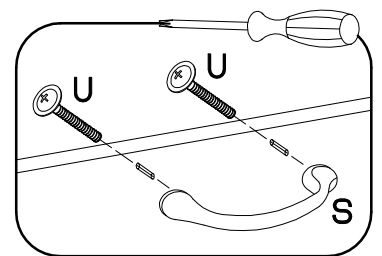
FLA.710



HG



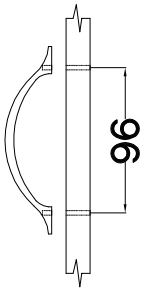
FLA.709



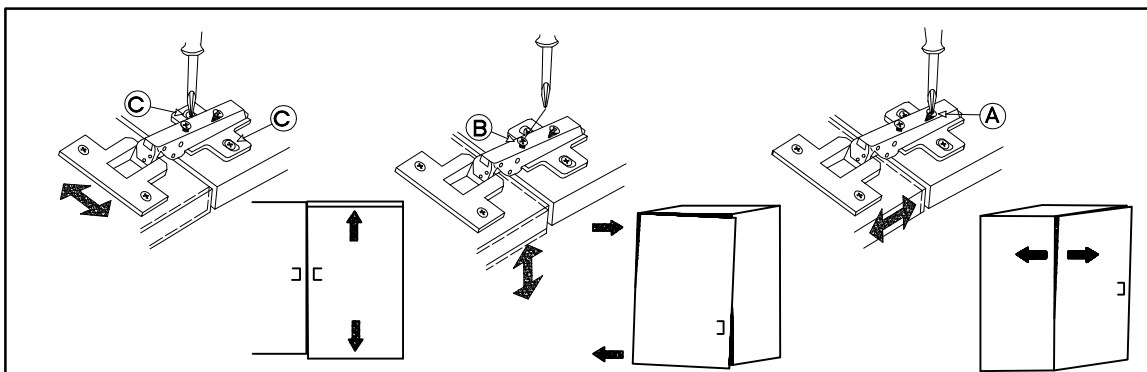
U

U

S



96



C

C

↑

↓

B

B

↑

↓

A

A

←

→