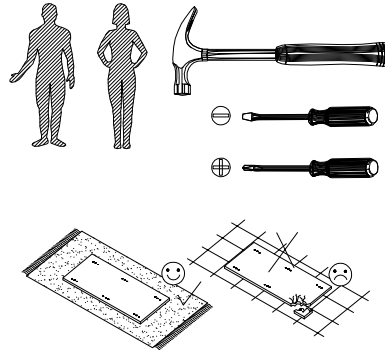
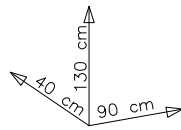
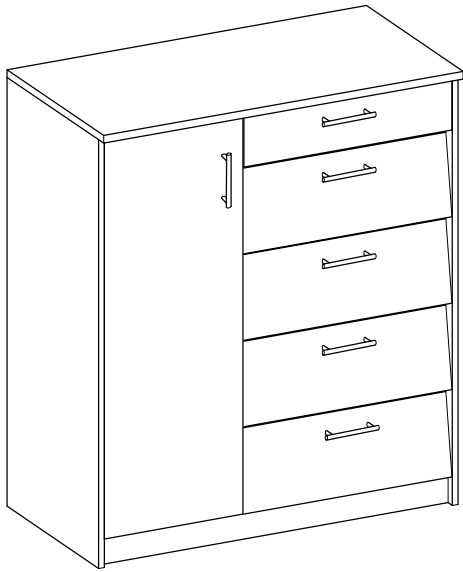
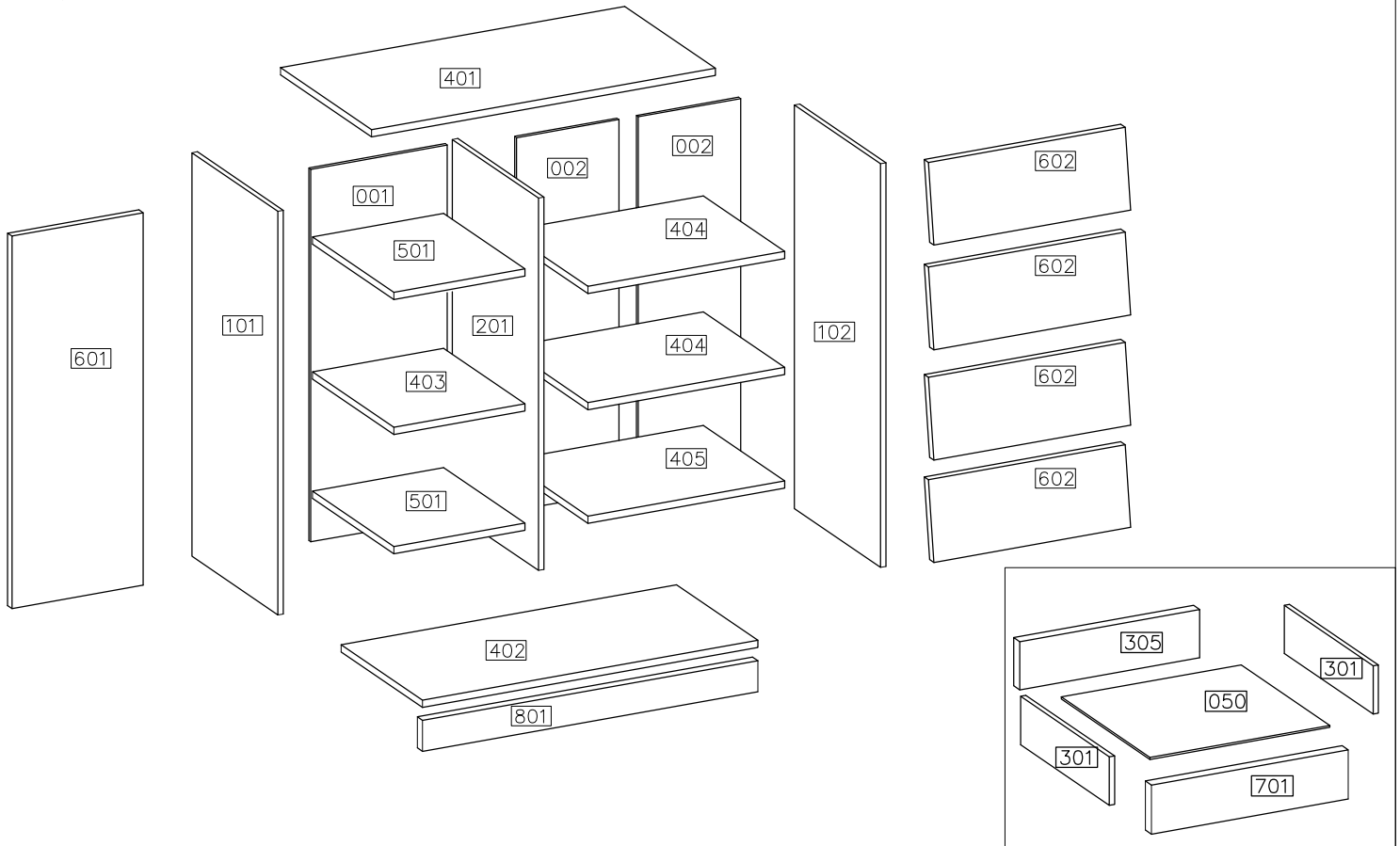


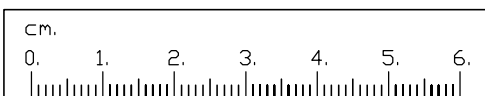
# SZAFKA NA BUTY 12



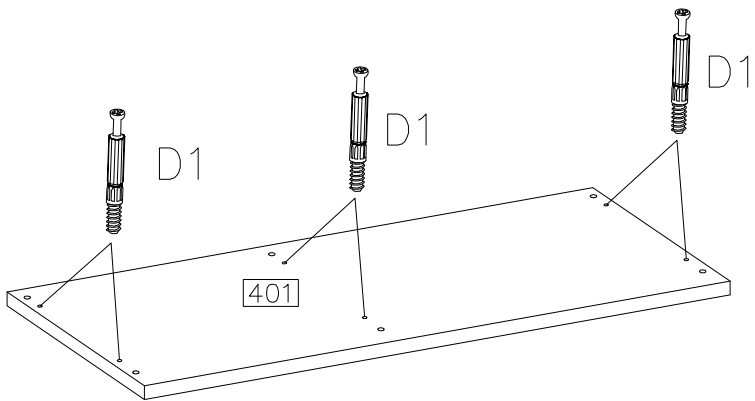
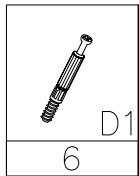
| #  | ART. NR | QUANTITY |
|----|---------|----------|
| 1  | 401     | 1        |
| 2  | 402     | 1        |
| 3  | 403     | 1        |
| 4  | 404     | 3        |
| 5  | 101     | 1        |
| 6  | 102     | 1        |
| 7  | 201     | 1        |
| 8  | 501     | 2        |
| 9  | 001     | 1        |
| 10 | 002     | 2        |
| 11 | 801     | 1        |
| 12 | 601     | 1        |
| 13 | 701     | 1        |
| 14 | 301     | 2        |
| 15 | 305     | 1        |
| 16 | 050     | 1        |
|    |         |          |
|    |         |          |



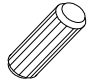



|   |  |   |    |             |                |                                       |  |     |
|---|--|---|----|-------------|----------------|---------------------------------------|--|-----|
| $\varnothing 8 \times 30 \text{ mm}$<br>A | $\varnothing 15 / 12 \text{ mm}$<br>D1 | $\varnothing 4.0 \times 27 \text{ mm}$<br>C | E  | F9          | H=0<br>H4      | $\varnothing 35 / \text{KR}-15$<br>G7 | $\varnothing 4.0 \times 16 \text{ mm}$<br>P1 | O11 |
| 48  | 28                                     | 28  | 28 | 5           | 3              | 3                                     | 10   | 1   |
| F10                                       | J4                                     | R2  | S1 | L-300<br>PR | 3.5x13mm<br>P2 | F8                                    | Z1   |     |
| 50  | 12                                     | 12  | 6  | 1KPL        | 4              | 8                                     | 1  |     |

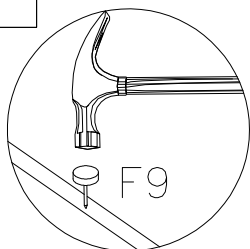
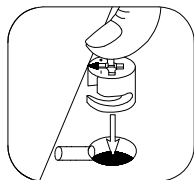
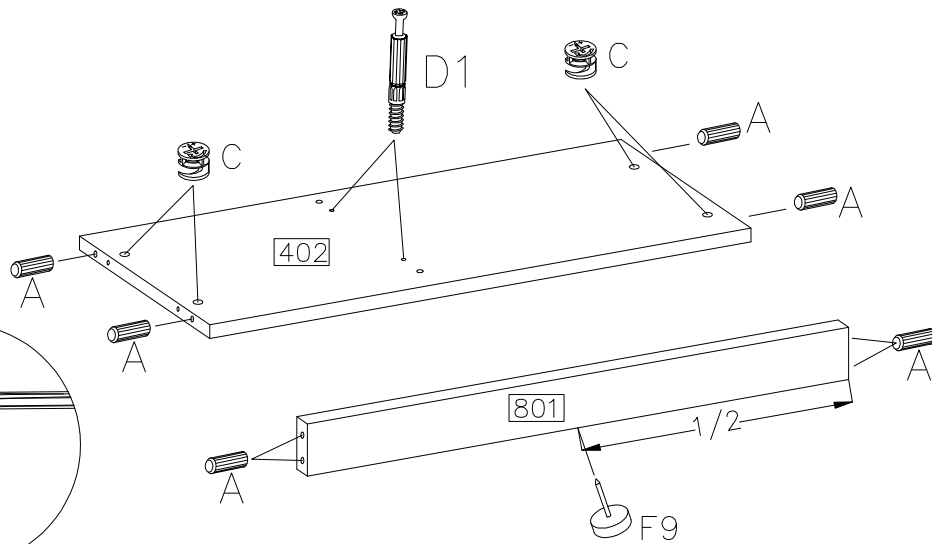


1

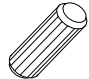



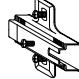

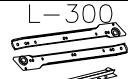



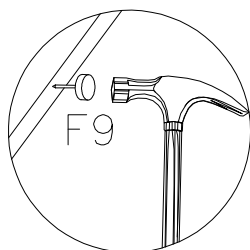
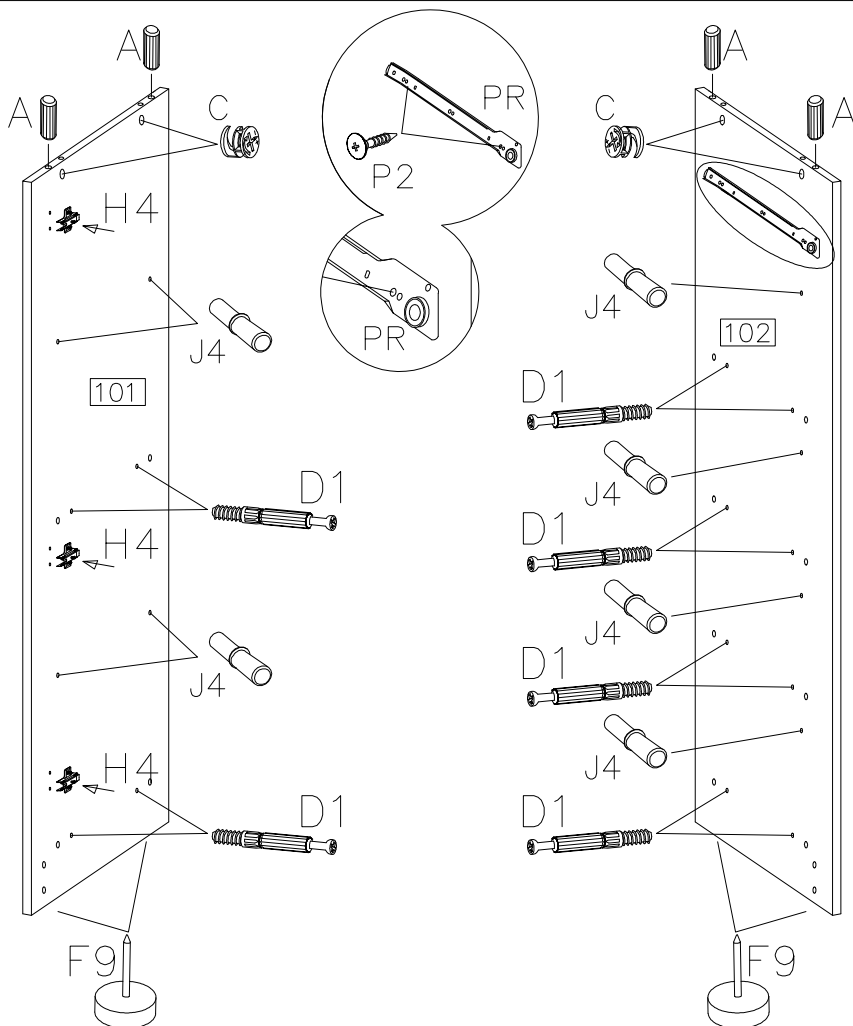
2

|   |   |
|---|---|
| $\varnothing 8 \times 30 \text{mm}$   | $\varnothing 15/12 \text{mm}$   |
|  |  |
| A   | C   |
| 8   | 4   |
|  |  |
| D1  | F9  |
| 2   | 1   |



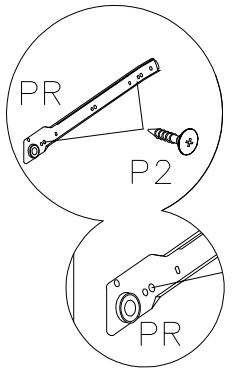
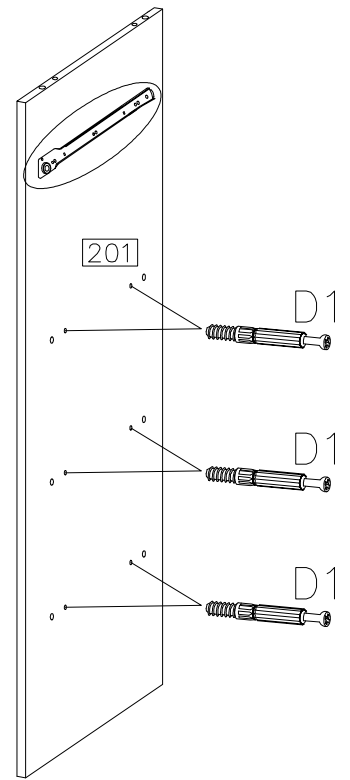
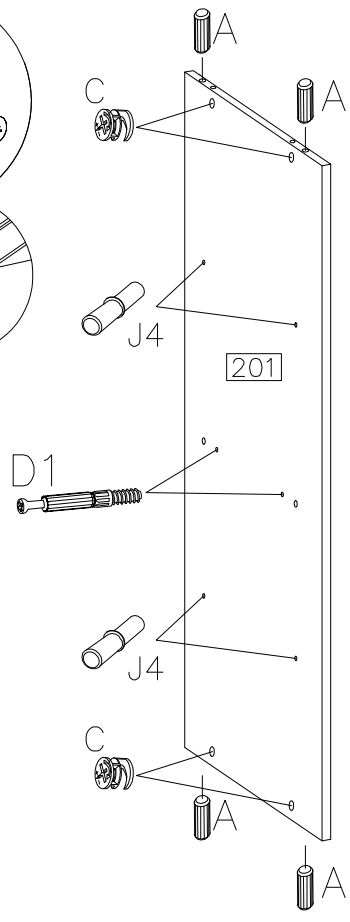
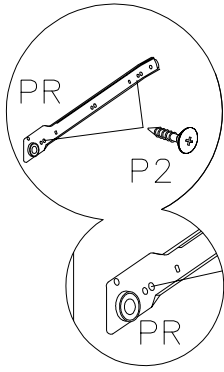
3

|   |   |   |
|---|---|---|
| $\varnothing 8 \times 30 \text{mm}$   |   |   |
|  |  |  |
| A   | J4  | D1  |
| 4   | 8   | 12  |
|  | H=0   | $\varnothing 15/12 \text{mm}$   |
| F9  |  |  |
| 4   | 3   | 4   |
| L-300   | 3.5x13mm  |   |
|  |  |   |
| PR  | P2  |   |
| 1KPL  | 2   |   |



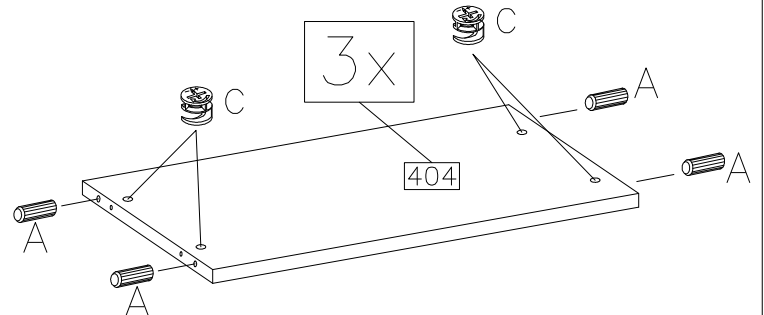
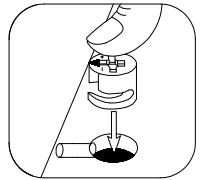
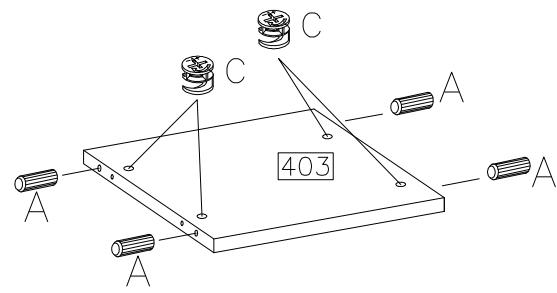
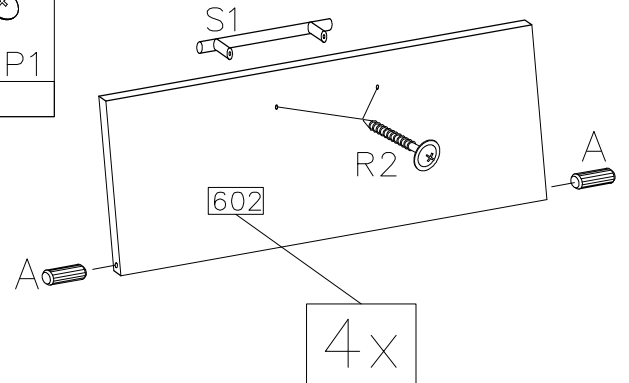
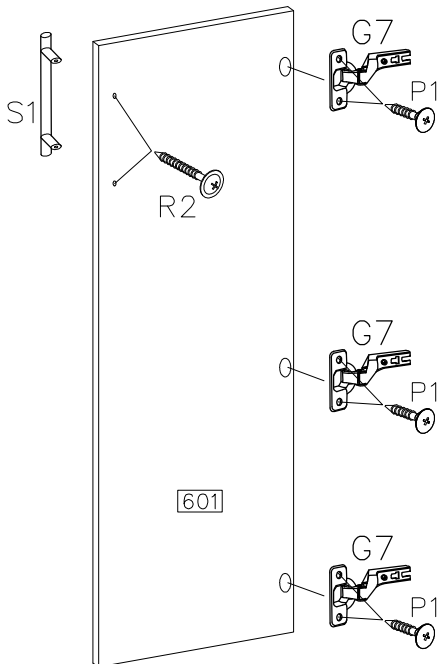
4

|                      |                    |
|----------------------|--------------------|
| L-300<br>PR          | 3.5x13mm<br>P2     |
| 1KPL<br>ø8x30mm<br>A | 2<br>ø15/12mm<br>C |
| 4                    | 4                  |
| J4                   | D1                 |
| 4                    | 8                  |

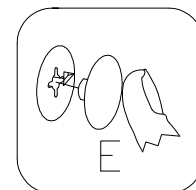
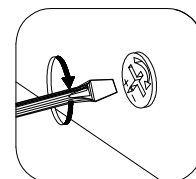
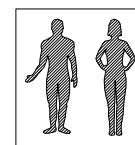
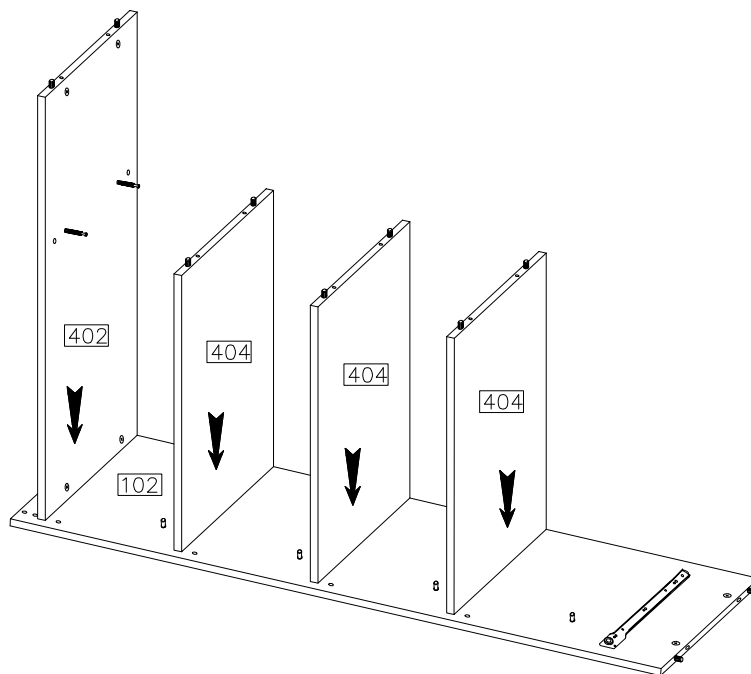
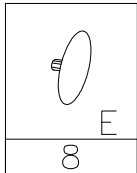


5

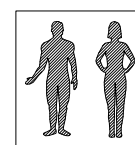
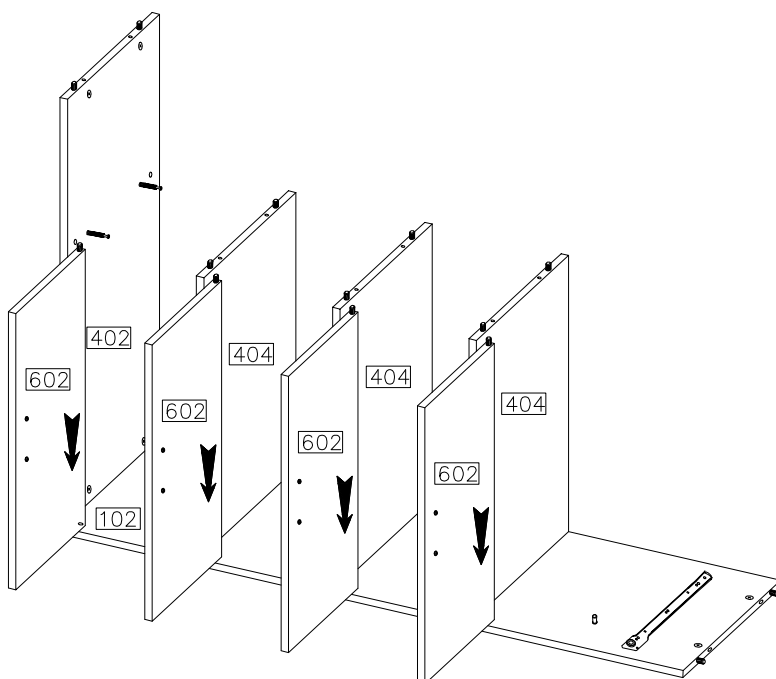
|              |                 |    |                |               |                 |
|--------------|-----------------|----|----------------|---------------|-----------------|
| ø8x30mm<br>A | ø35/KR-15<br>G7 | S1 | 4.0x27mm<br>R2 | ø15/12mm<br>C | ø4.0x16mm<br>P1 |
| 24           | 3               | 5  | 10             | 16            | 6               |



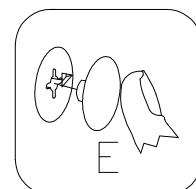
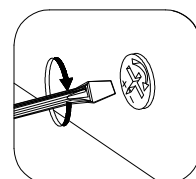
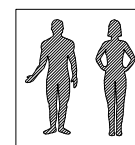
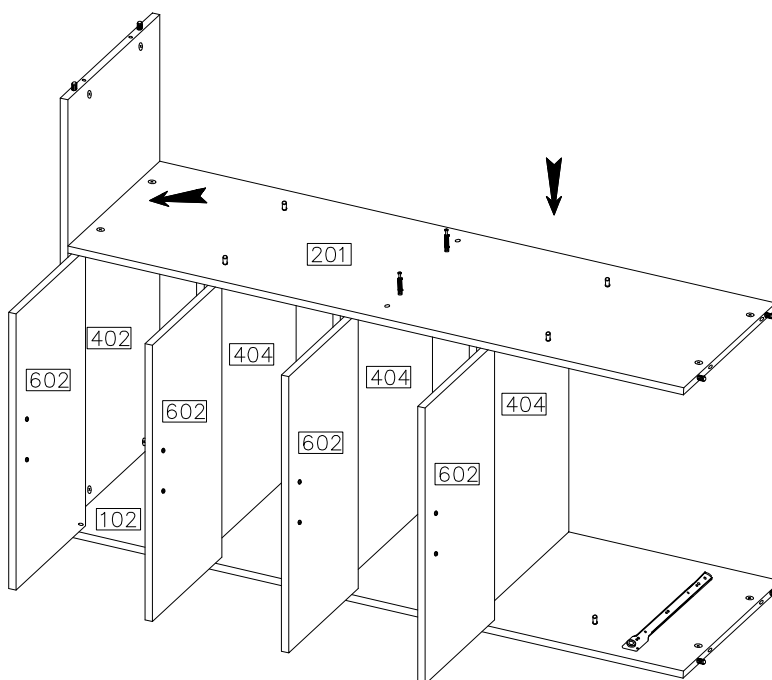
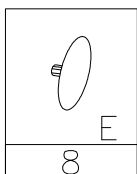
6



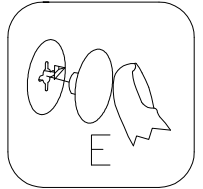
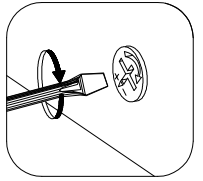
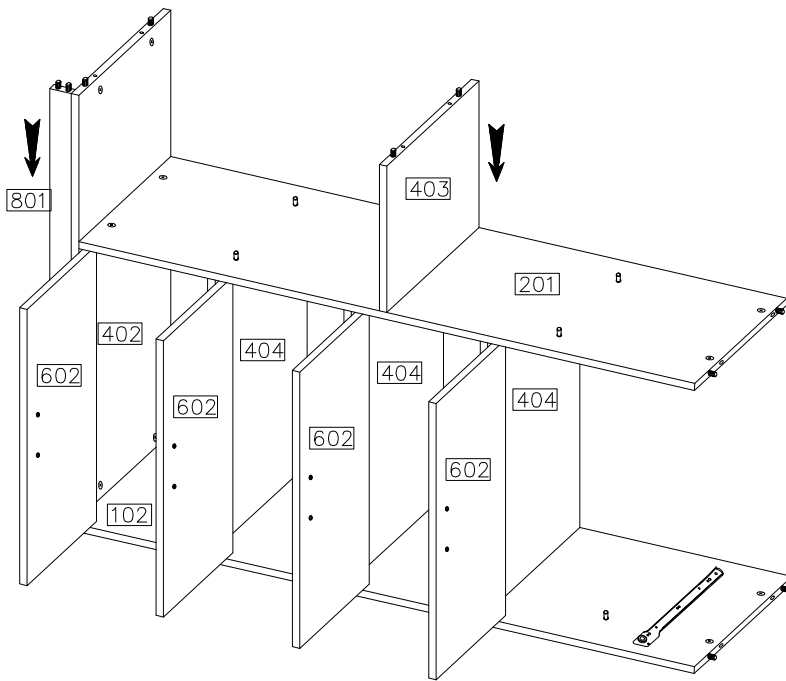
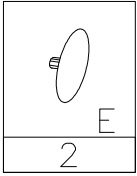
7



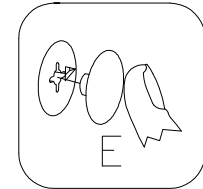
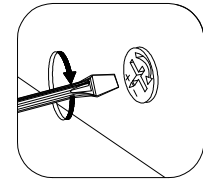
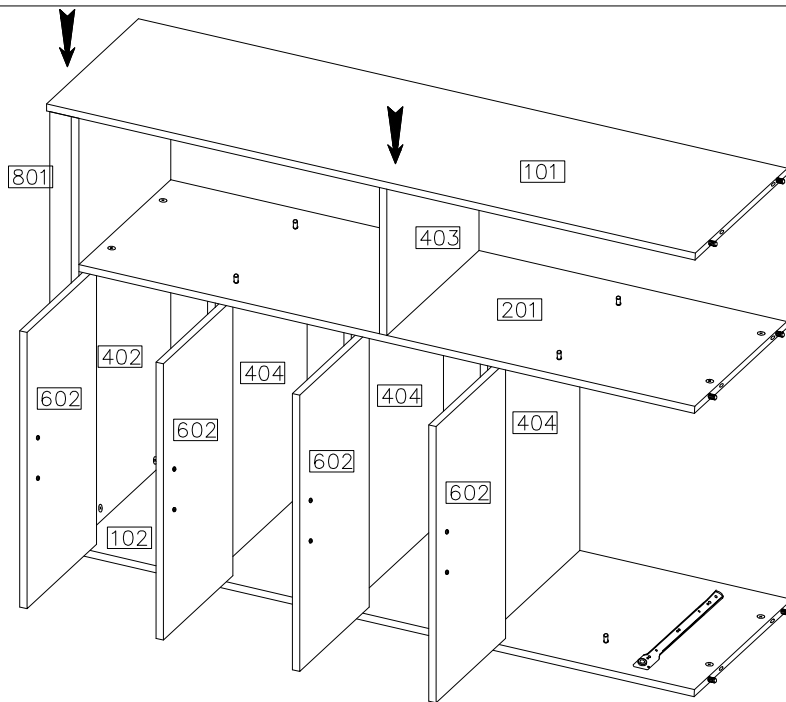
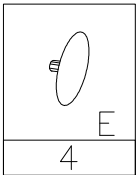
8



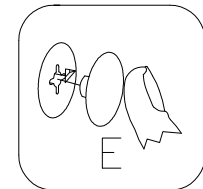
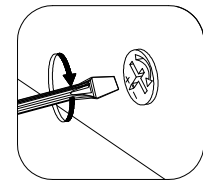
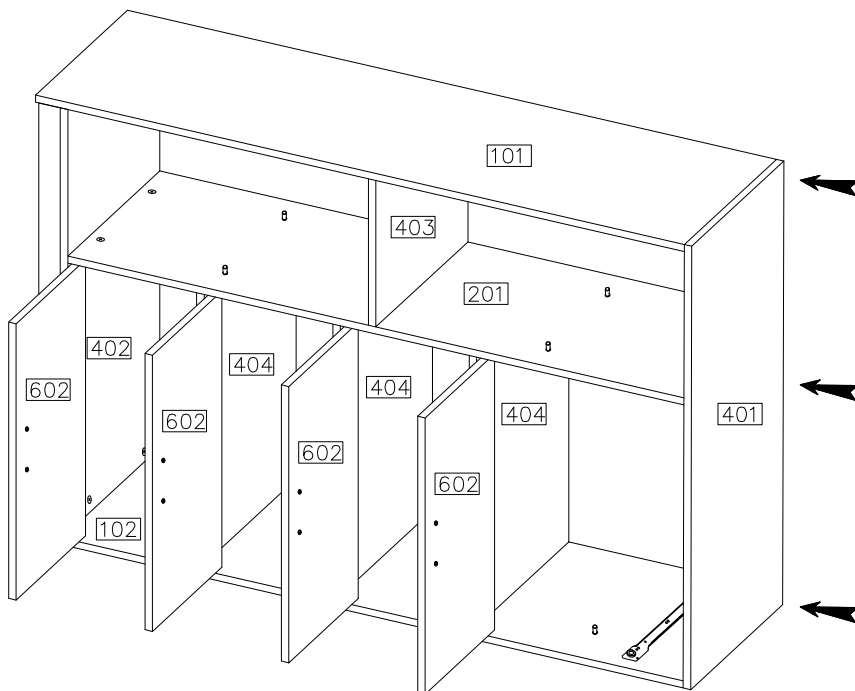
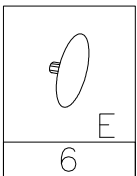
9




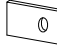
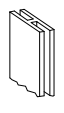
10

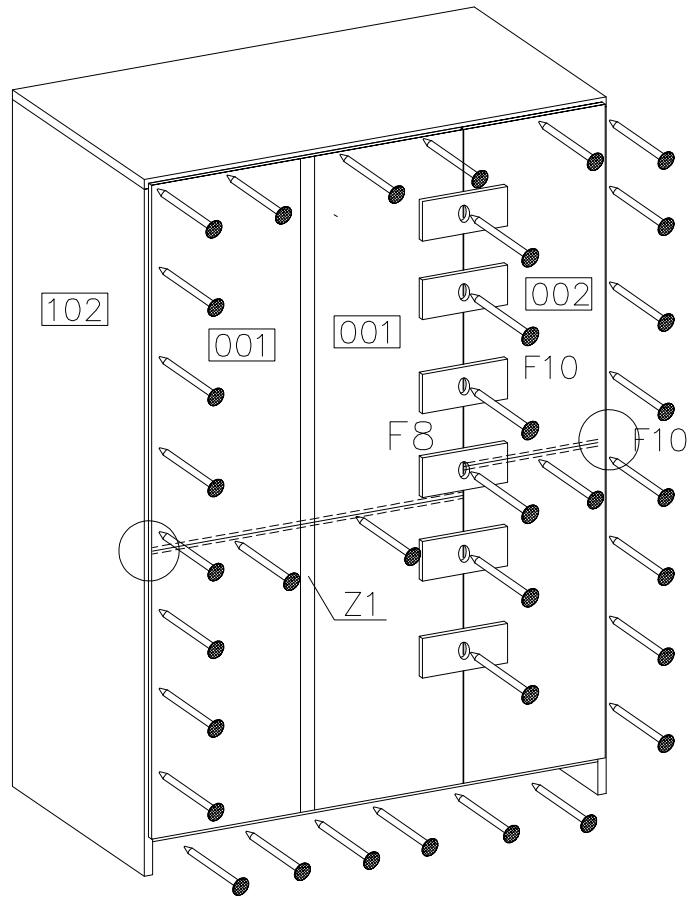
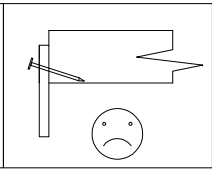
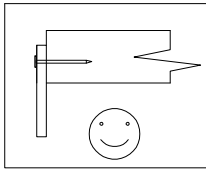
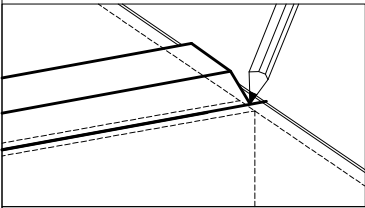
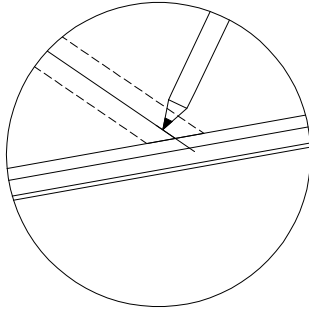
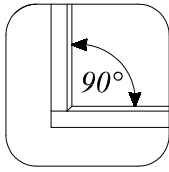


11

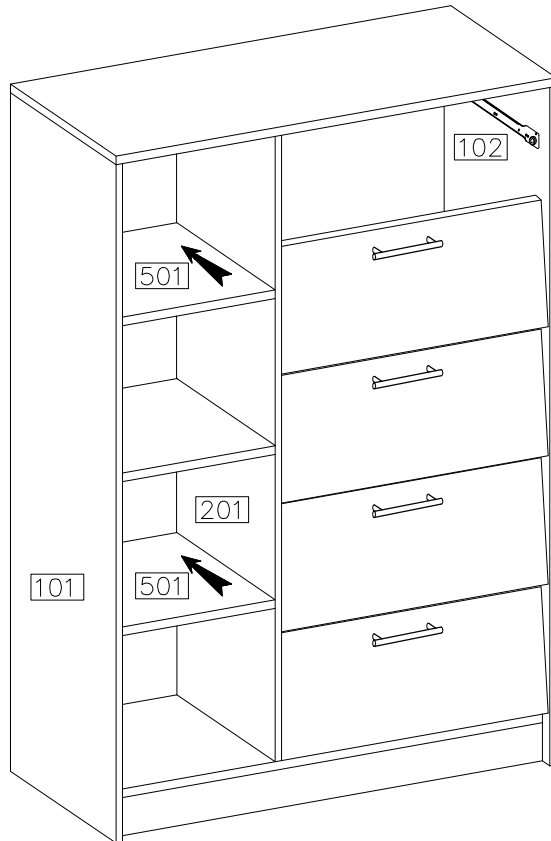


12


|  |  |   |
|--|--|---|
| <br>F10<br>30 | <br>F8<br>8 | <br>Z1<br>1 |
|--|--|---|

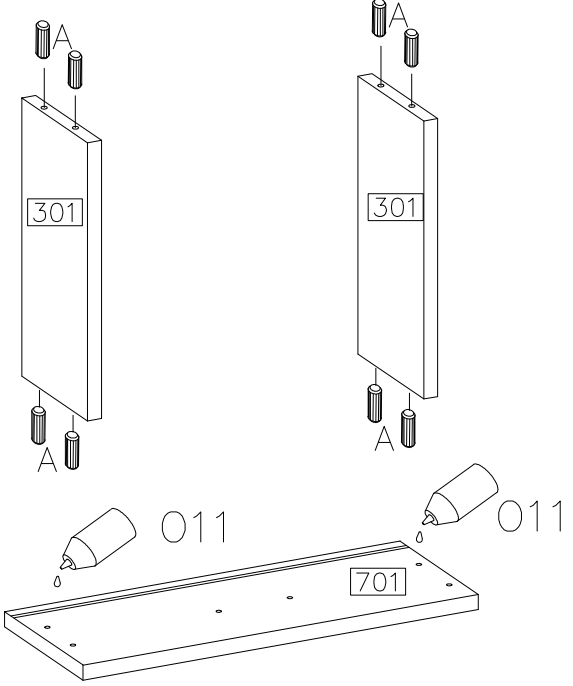


13





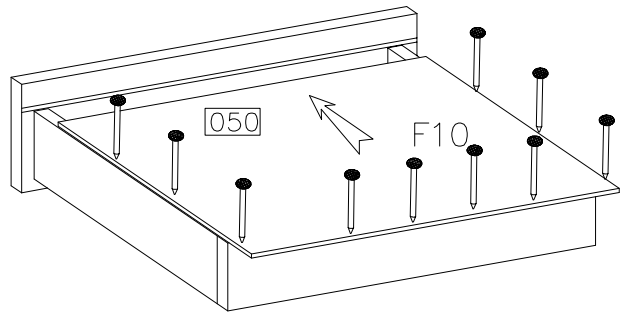
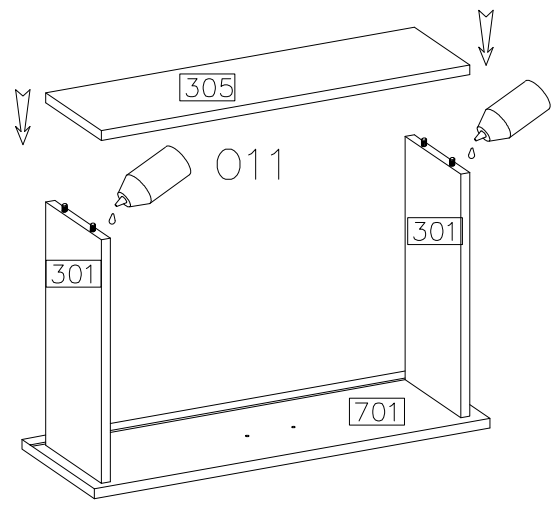
14

|  |         |
|--|---------|
|  | Ø8x30mm |
| 011  | A       |
| 1  | 8       |




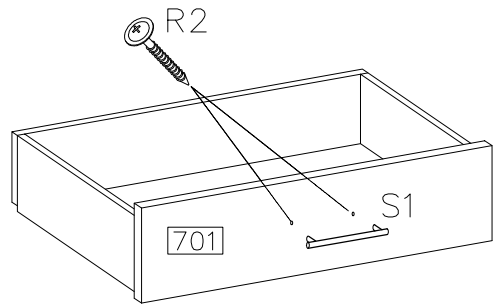
15

|   |     |
|---|-----|
|  | F10 |
| 20  |     |
|  | 011 |
| 1   |     |





16

|   |          |
|---|----------|
|  | 4.0x27mm |
| S1  | R2       |
| 1   | 2        |



17

|   |   |
|---|---|
| L-300   | Ø4.0x16mm   |
|  |  |
| PR  | P1  |
| 1KPL  | 4   |

