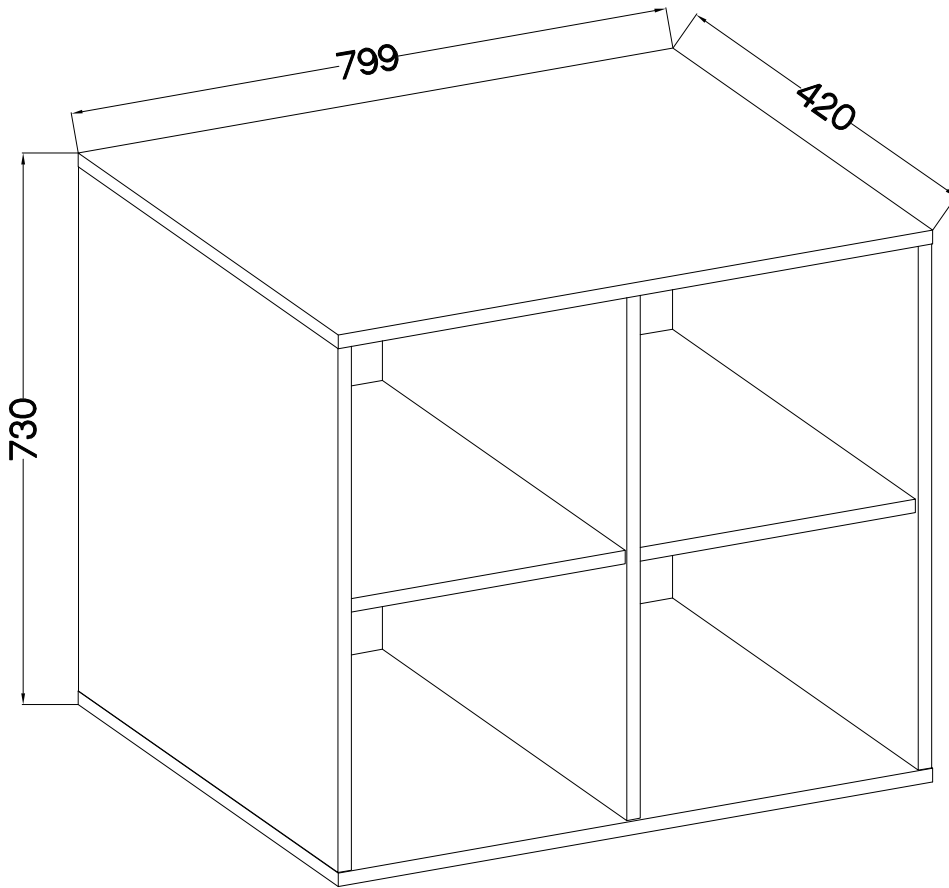
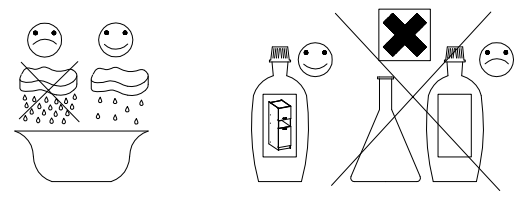


MALTA
TYP 103

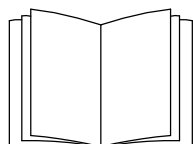
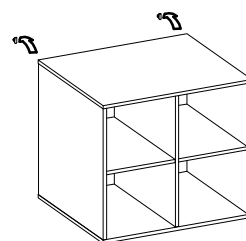
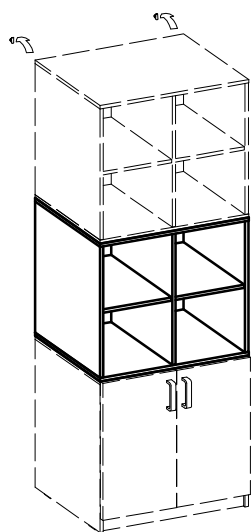
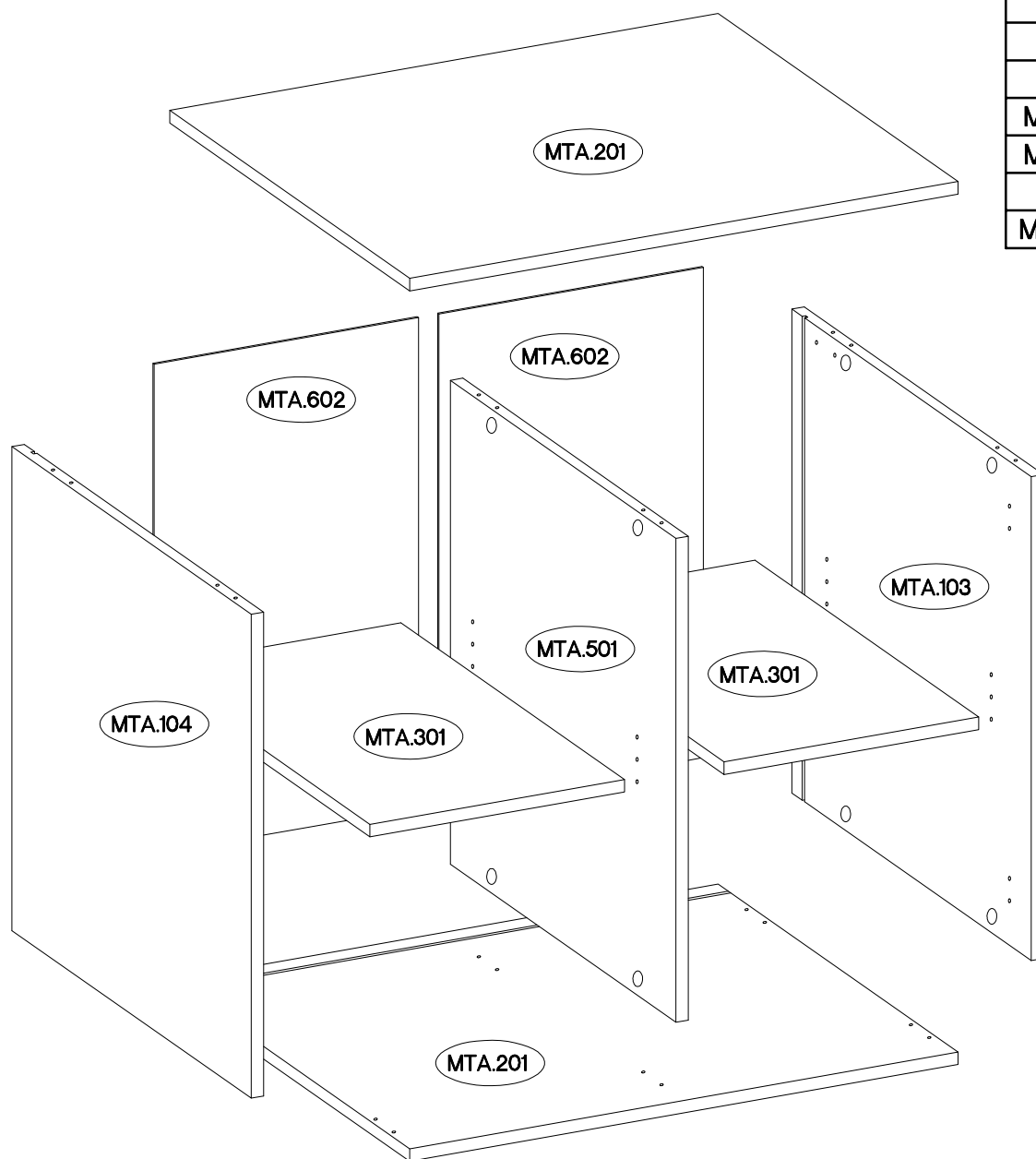


 $\dagger 8 \times 30 \text{mm}$ A 12	 $\dagger 15 / 12 \text{mm}$ C 12	 $L = 20 \text{mm}$ D2 12	 $\dagger 20$ E11 12	 $\dagger 14$ E13 4
 $\dagger 5 / 16 \text{mm}$ J3 8	 K9 1	 K10 1	 K11 1	 K12 1

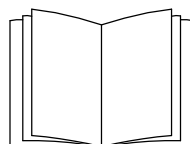
 L 10	 L2 5	 $\dagger 5$ M10 2	 $\dagger 10 \times 50 \text{mm}$ O7 2	 $6,5 / 68 \text{mm}$ O4 2	 $\dagger 3,0 \times 20 \text{mm}$ P7 5
--------------------	--------------------	------------------------------------	--------------------------------------------------------	--------------------------------------------	---------------------------------------------------------

ISM-MTA-03

Ersatzteil Nummer	Dimension
MTA.103	394x419x18
MTA.104	394x419x18
MTA.201 x2	799x420x18
MTA.301 x2	371x392x18
MTA.501	694x395x18
MTA.602 x2	703x385x2,5

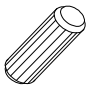




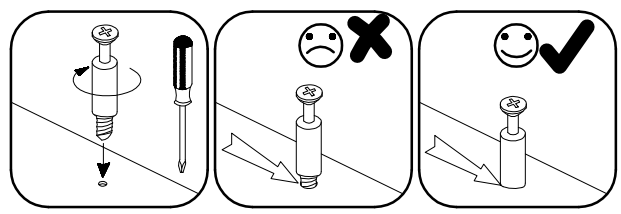
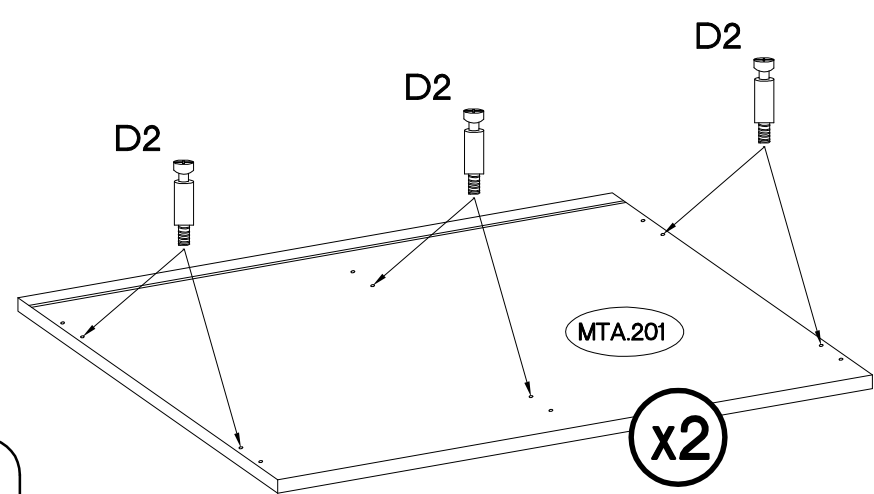
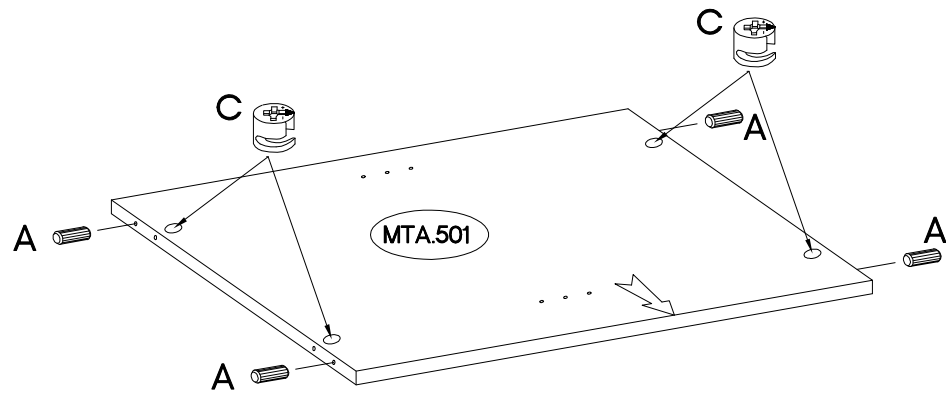
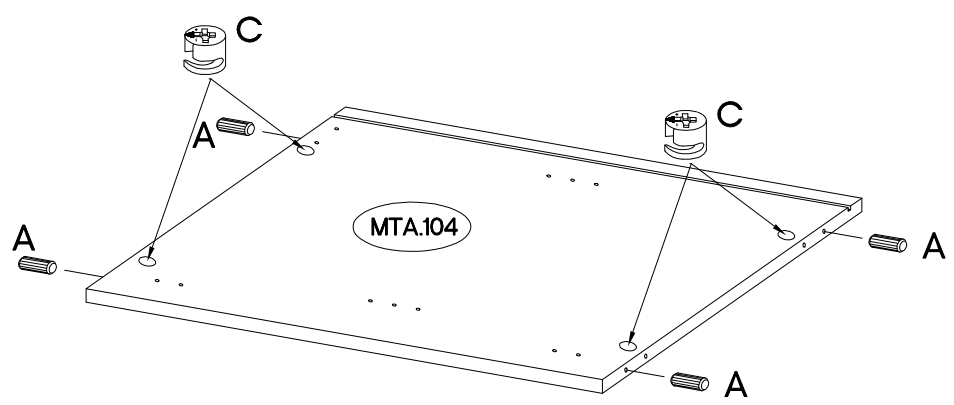
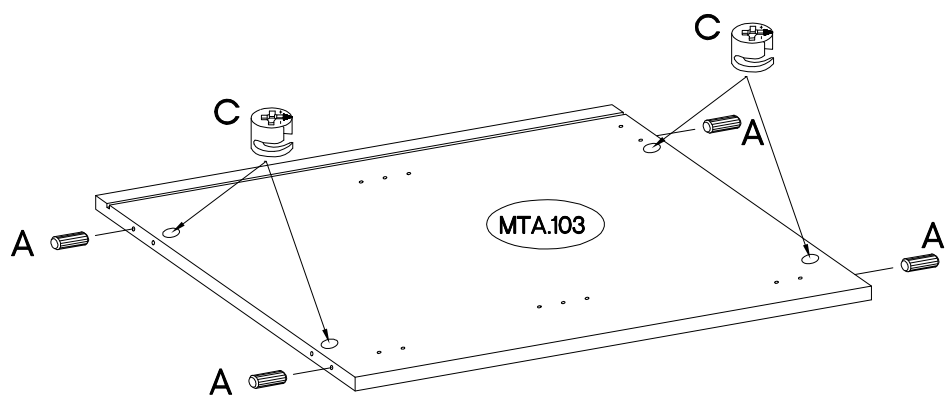
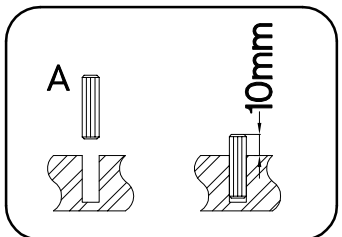
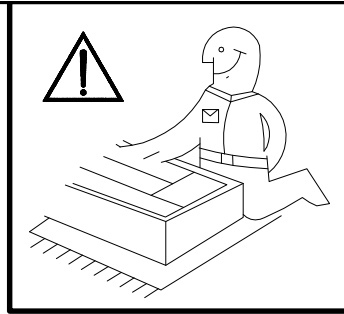
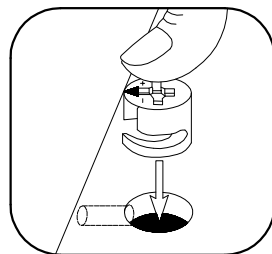
1 — 6



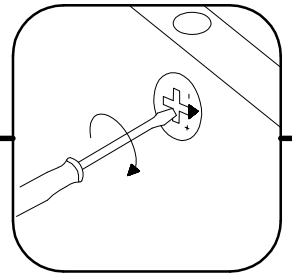
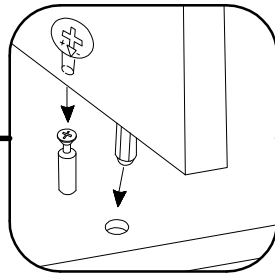
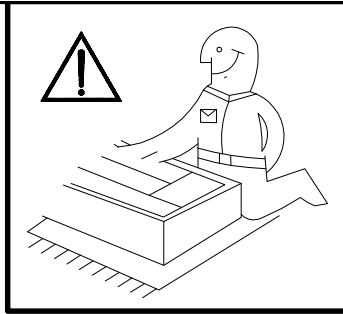
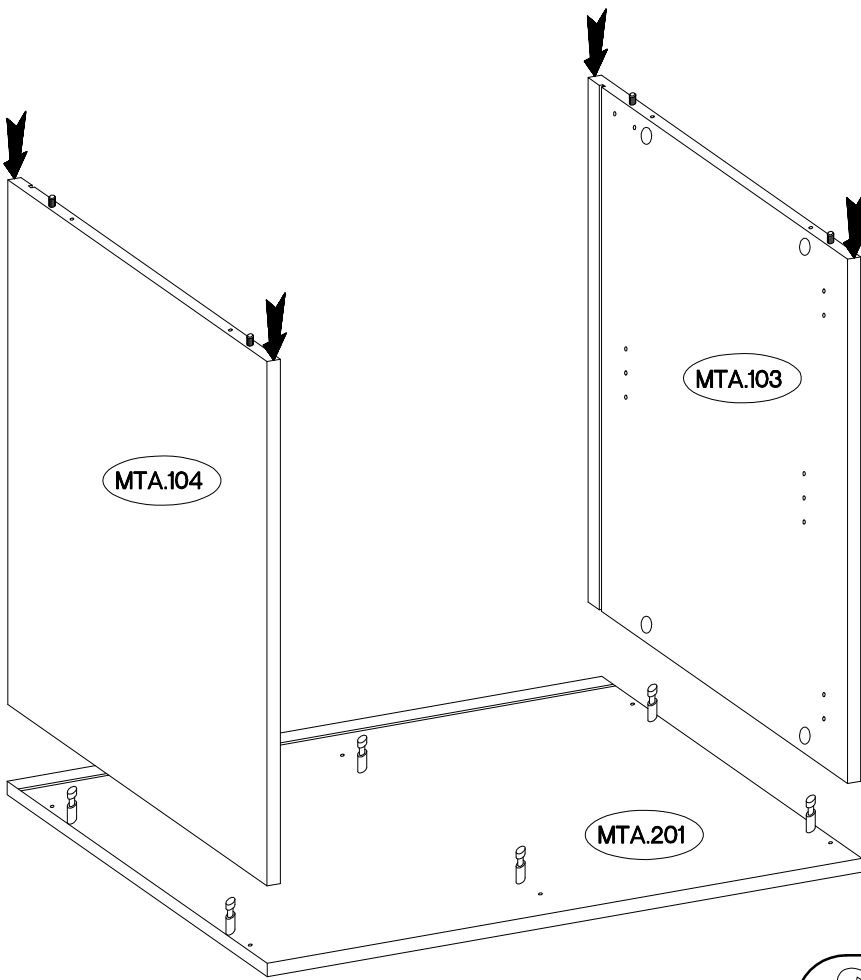
7 — 14

1

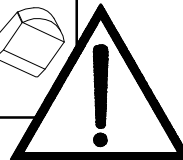
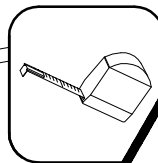
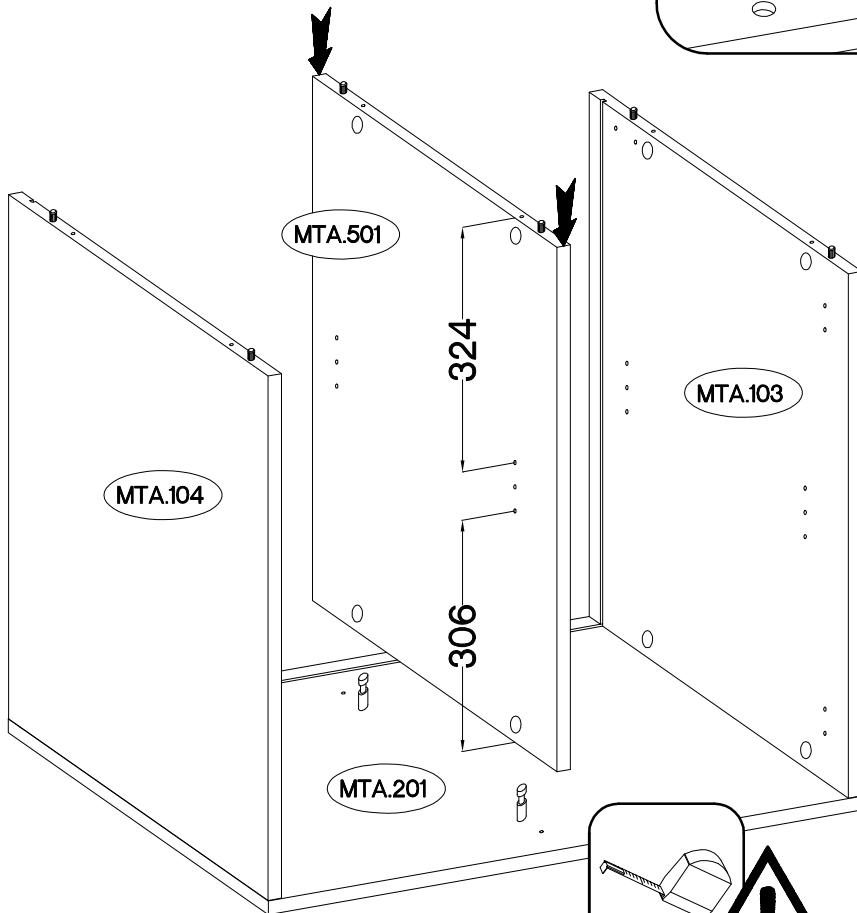
$\varnothing 8 \times 30 \text{mm}$  A 12	L=20mm  D2 12	$\varnothing 15/12 \text{mm}$  C 12
------------------------------------------------------------------------------------------------------------------------------------	--------------------------------------------------------------------------------------------------------	------------------------------------------------------------------------------------------------------------------------------



2

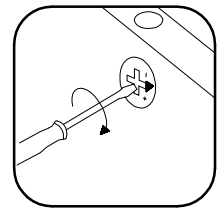
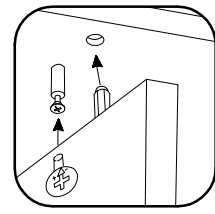
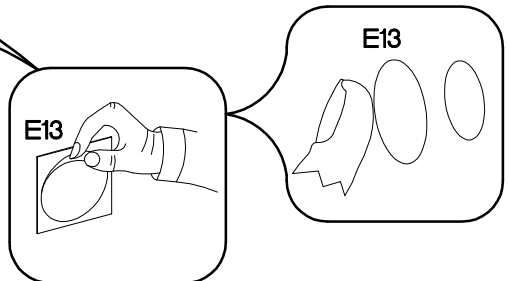
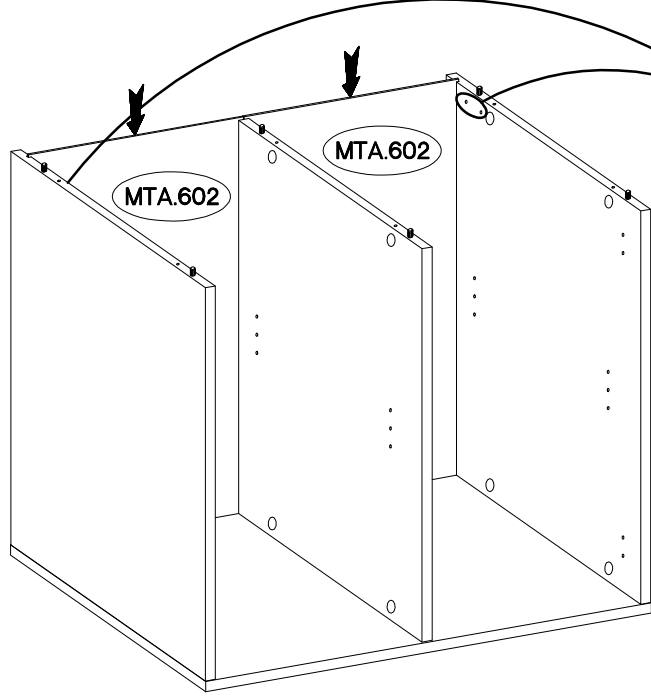
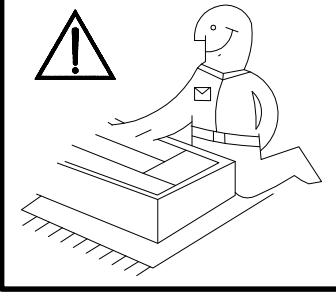
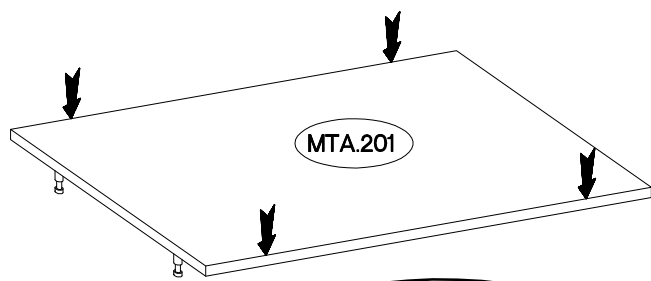


3



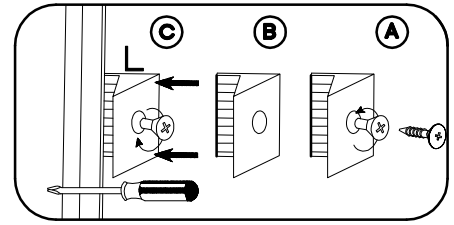
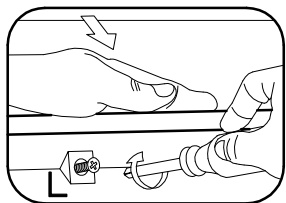
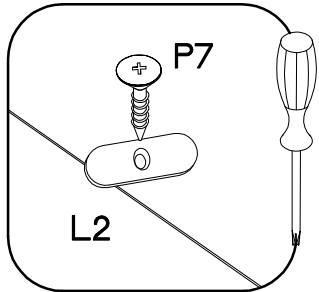
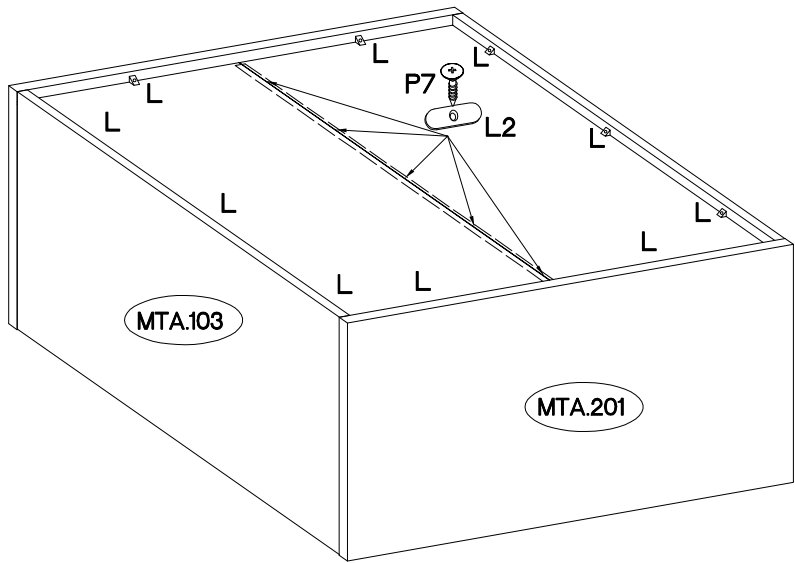
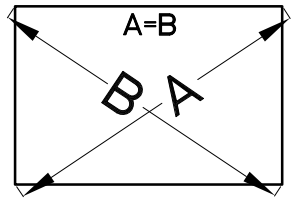
4

φ14
E13
4

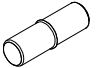
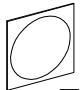


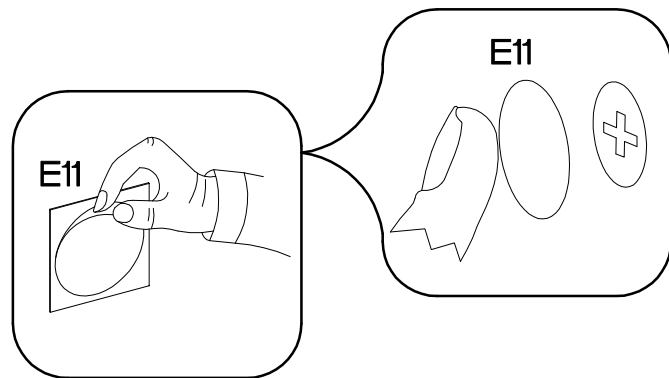
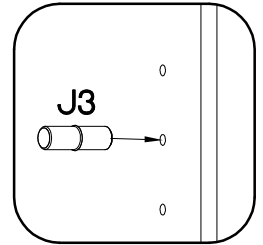
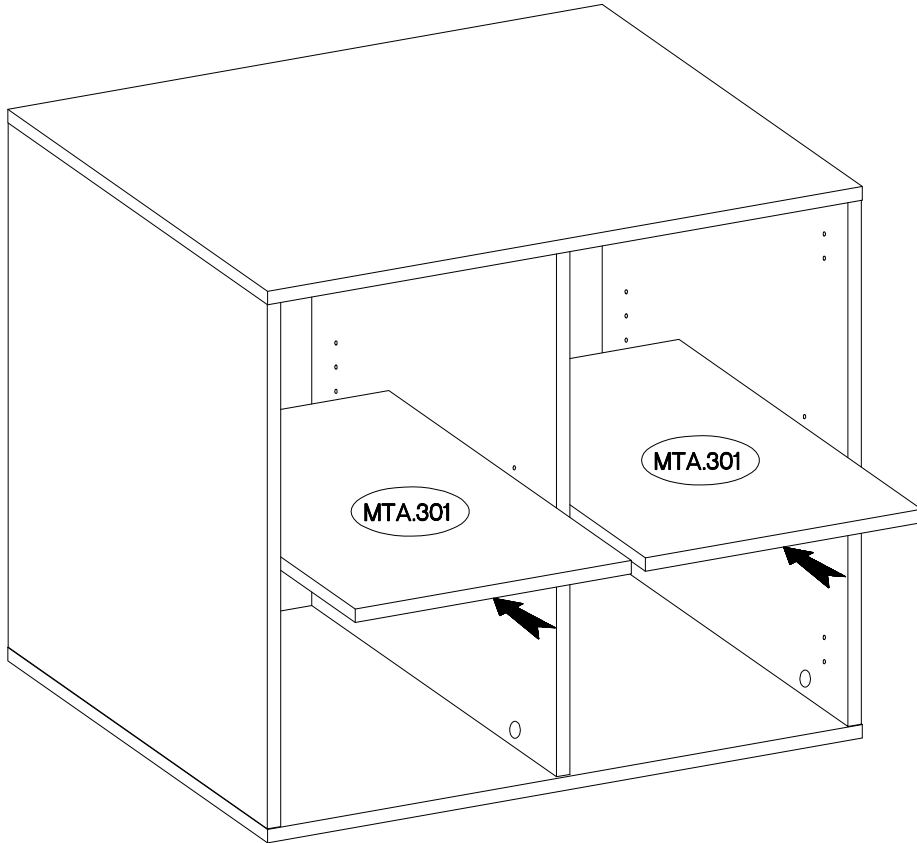
5

φ3.0x20mm		
P7	L2	L
5	5	10




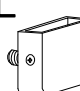
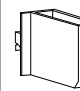


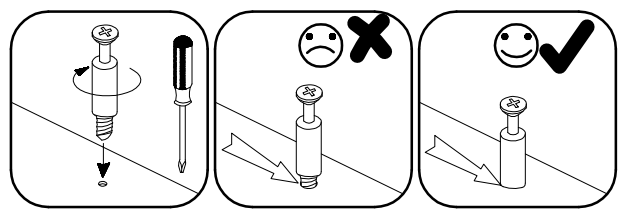
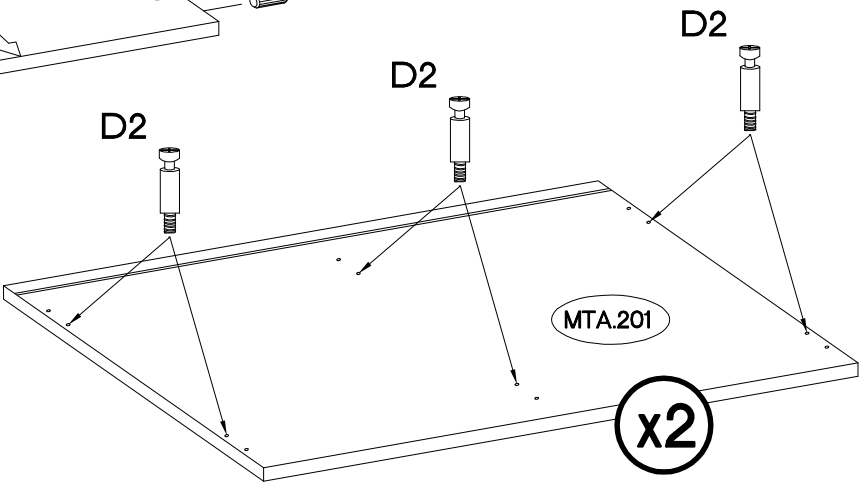
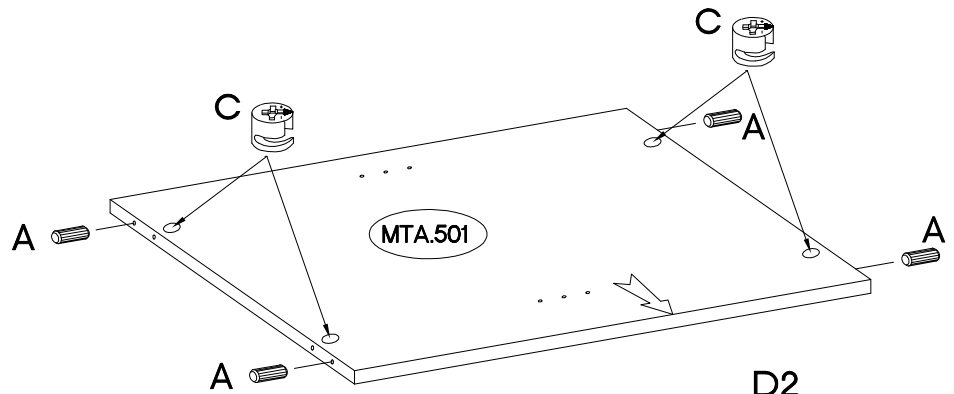
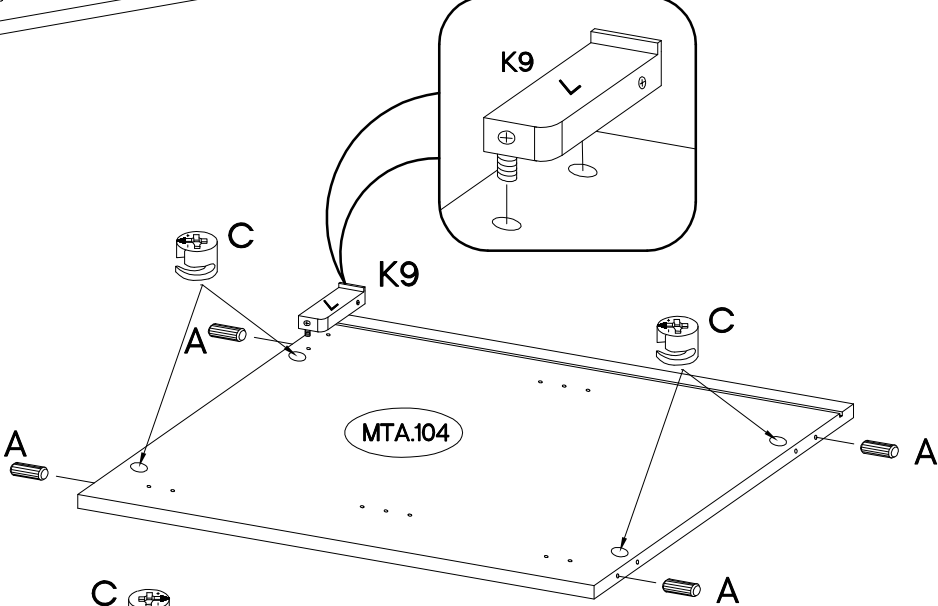
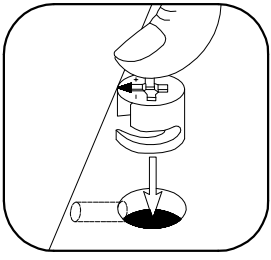
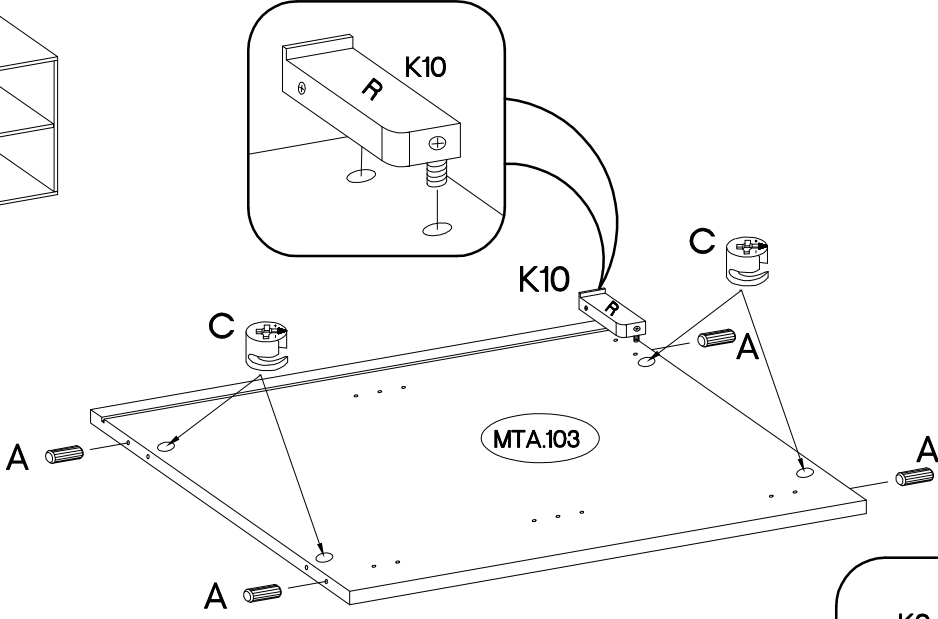
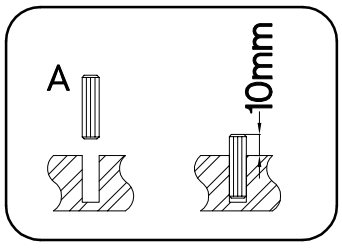
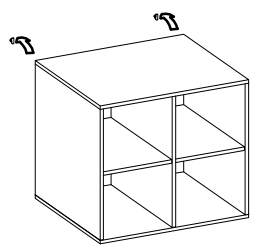
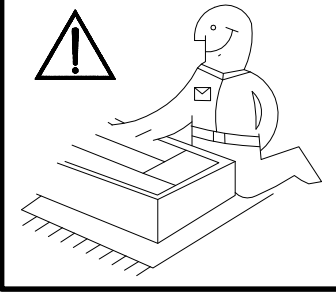
6

$\pm 5/16\text{mm}$  J3 8	± 20  E11 12
--------------------------------------------------------------------------------------------------------------------	-----------------------------------------------------------------------------------------------------------

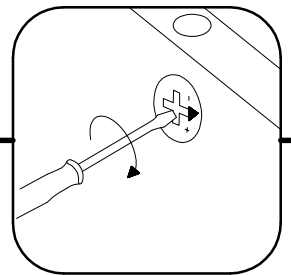
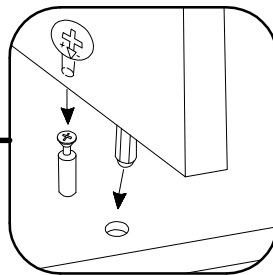
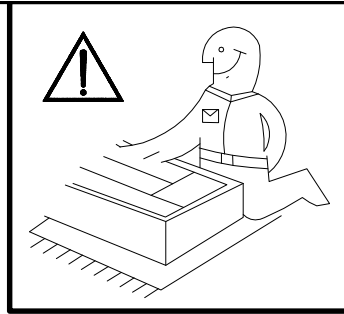
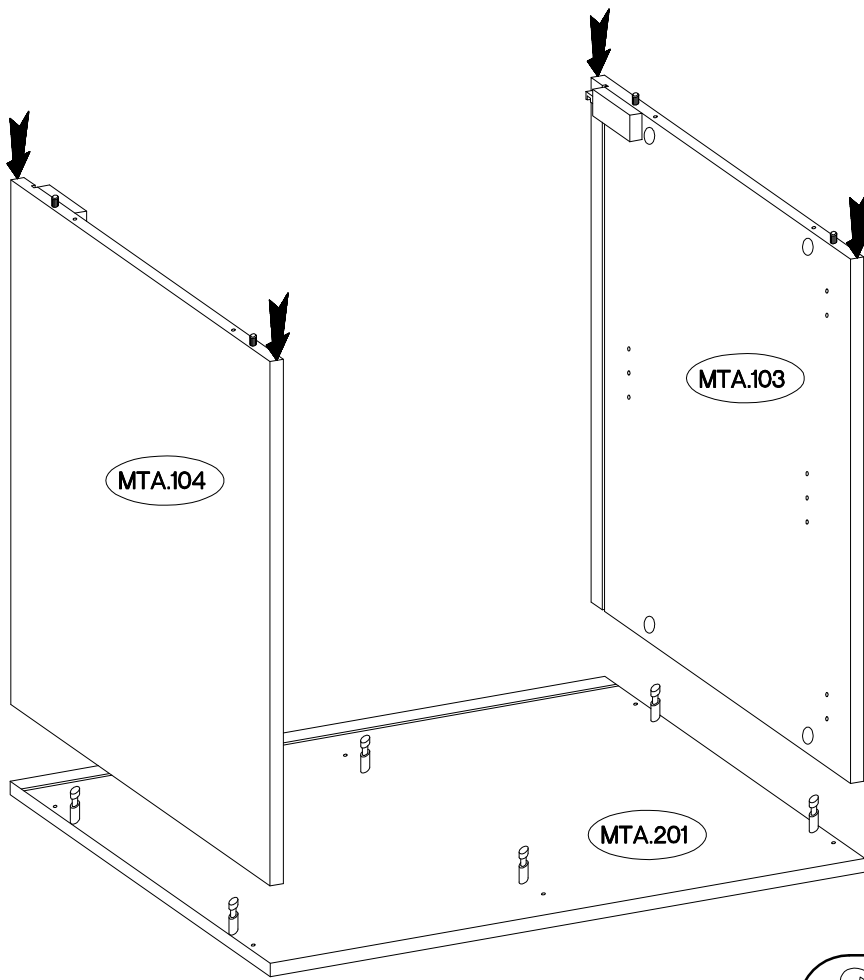


7

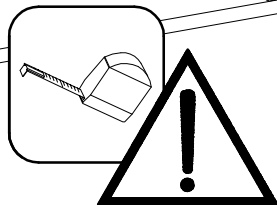
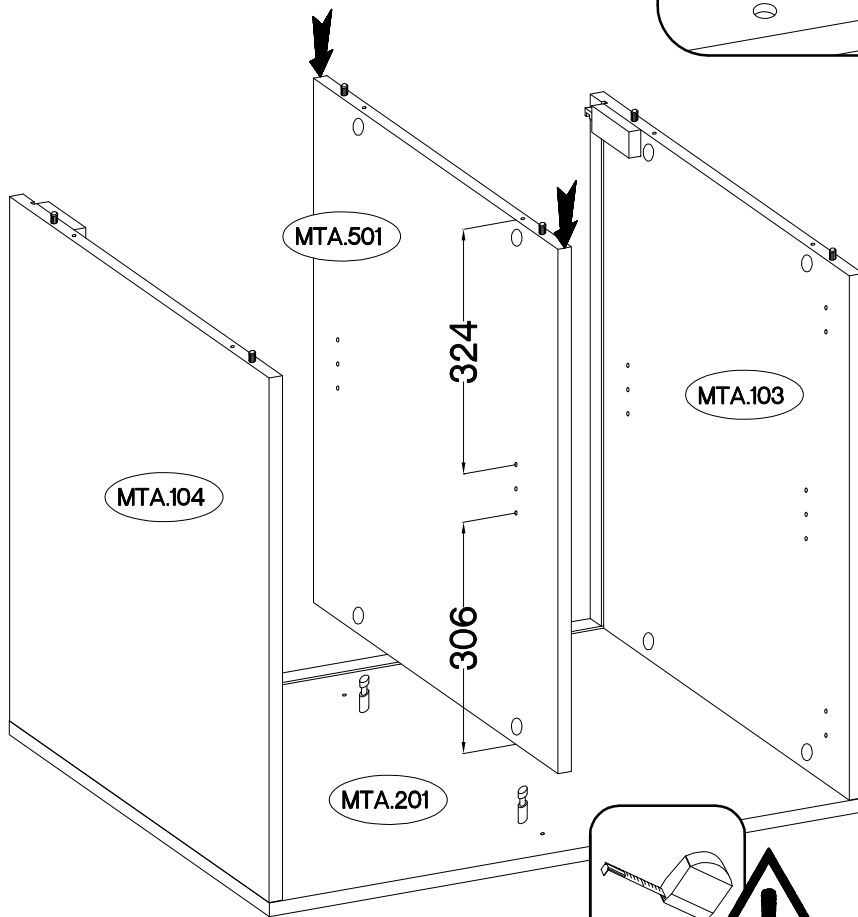
$\varnothing 8 \times 30\text{mm}$  A 12	L=20mm  D2 12	$\varnothing 15/12\text{mm}$  C 12	L  K9 1	R  K10 1
-----------------------------------------------------------------------------------------------------------------------------------	--------------------------------------------------------------------------------------------------------	-----------------------------------------------------------------------------------------------------------------------------	--------------------------------------------------------------------------------------------------	---------------------------------------------------------------------------------------------------



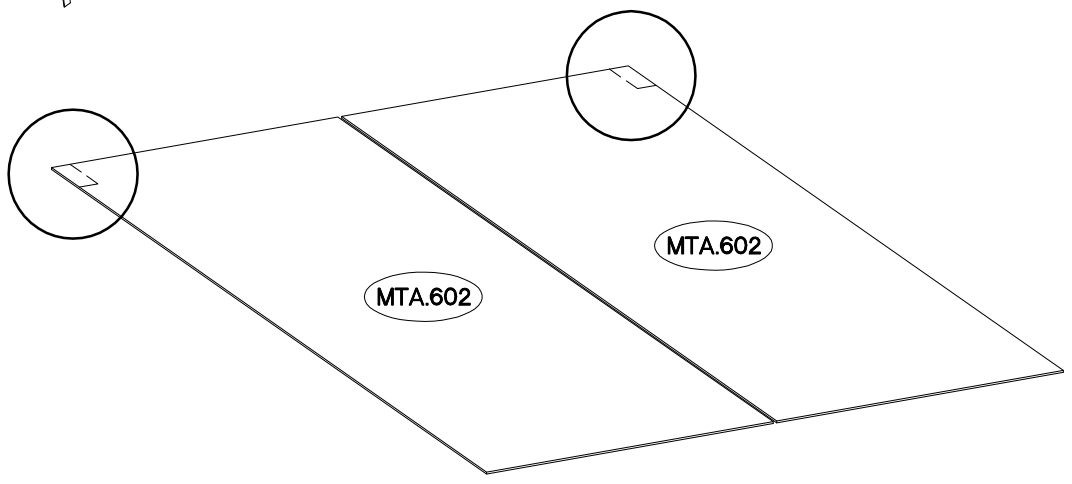
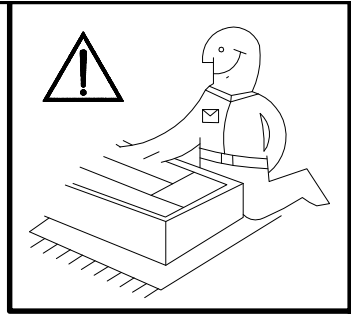
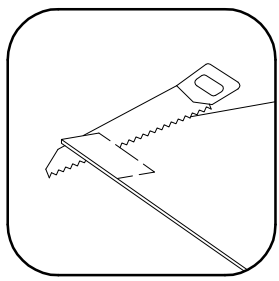
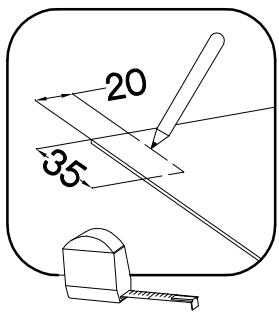
8



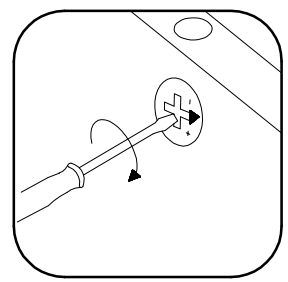
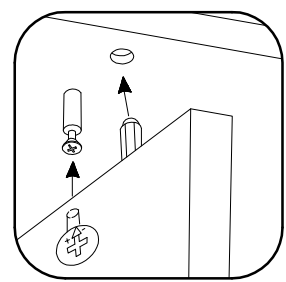
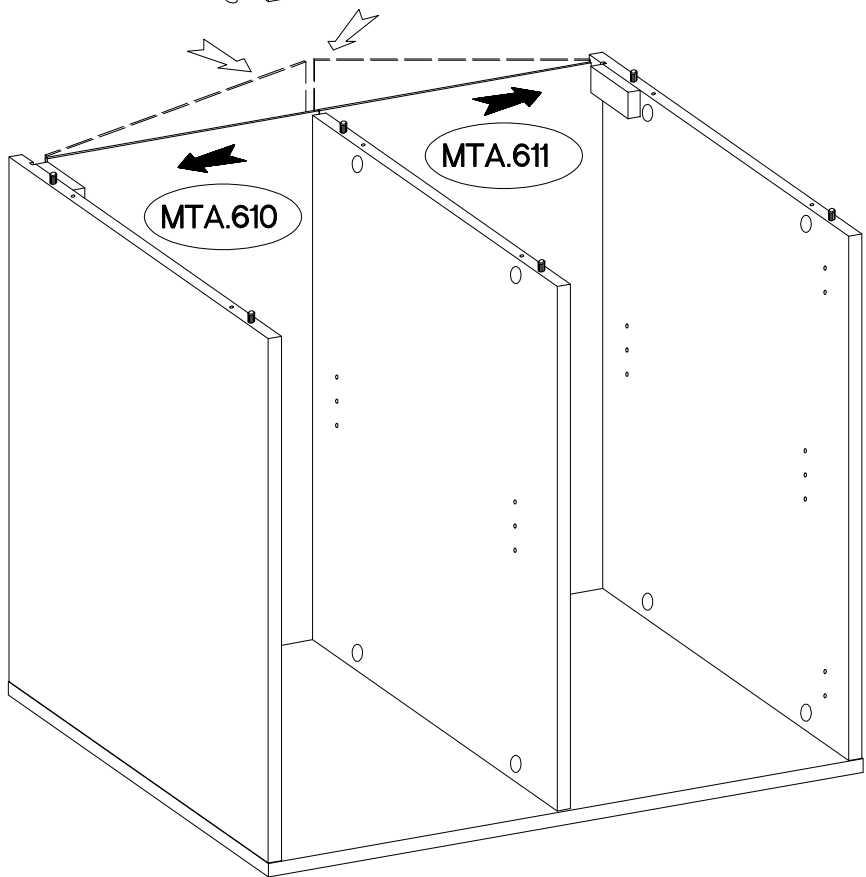
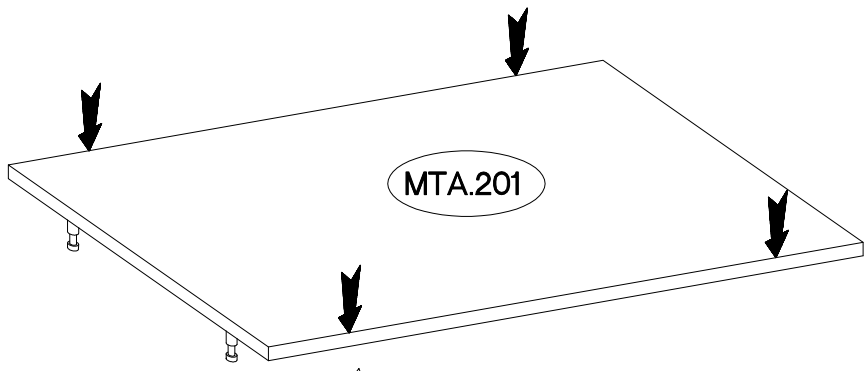
9


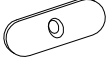
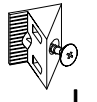


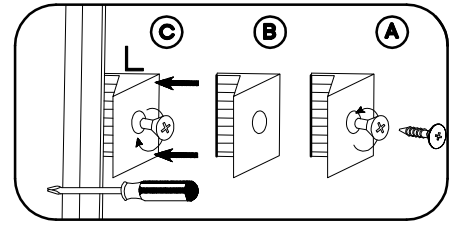
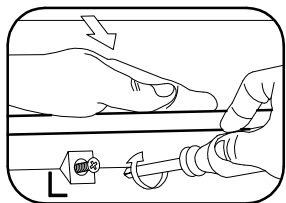
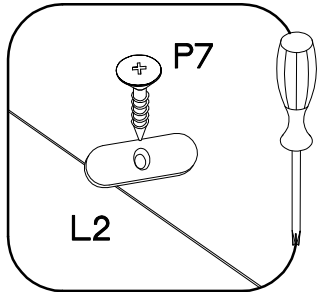
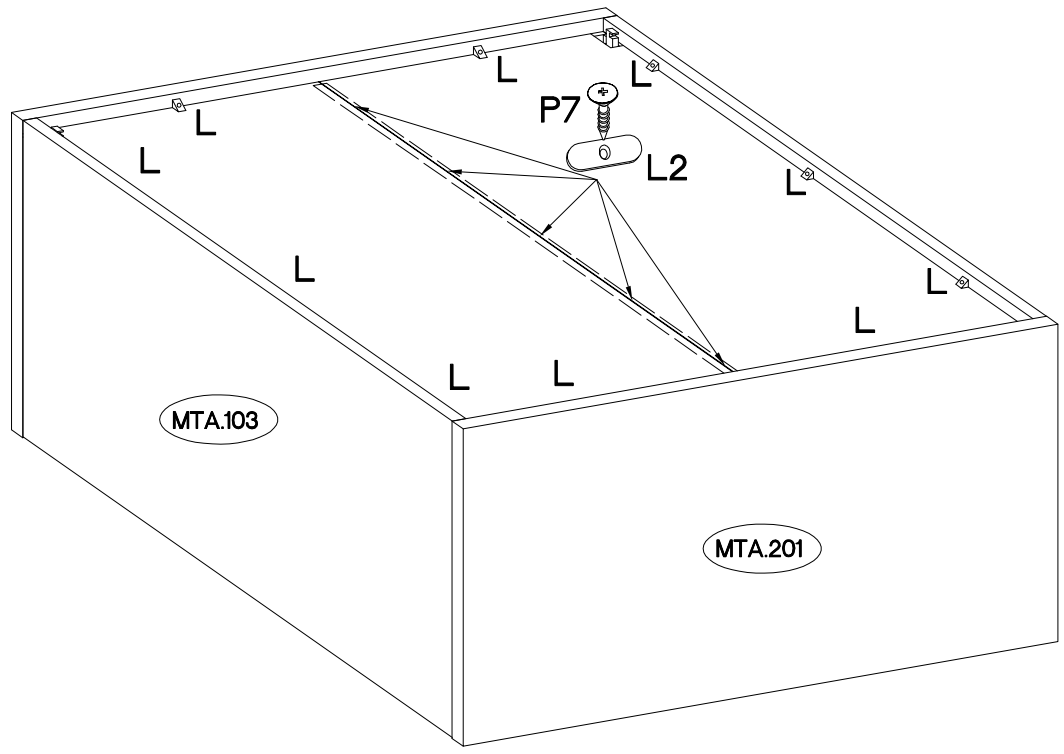
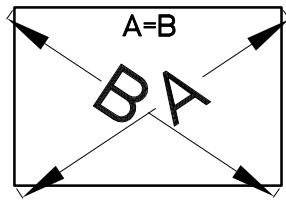
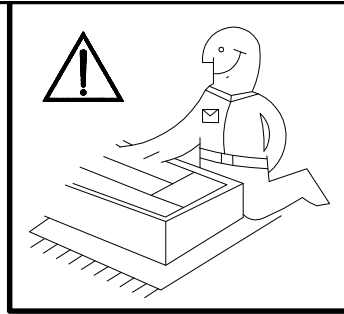
10



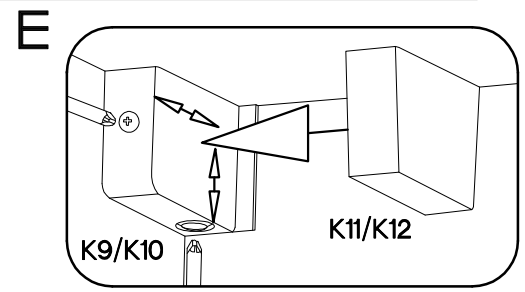
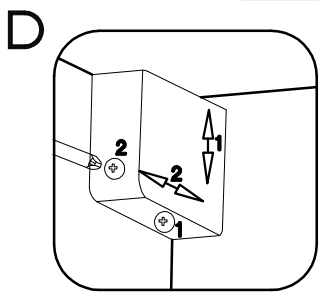
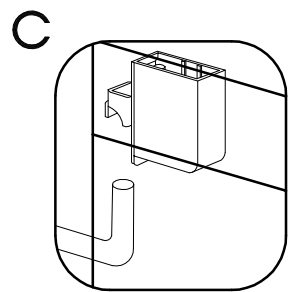
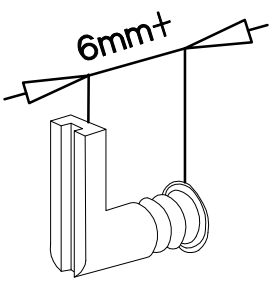
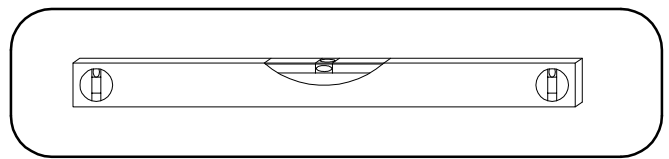
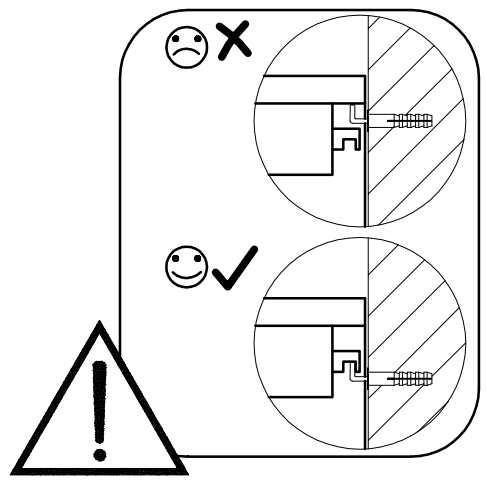
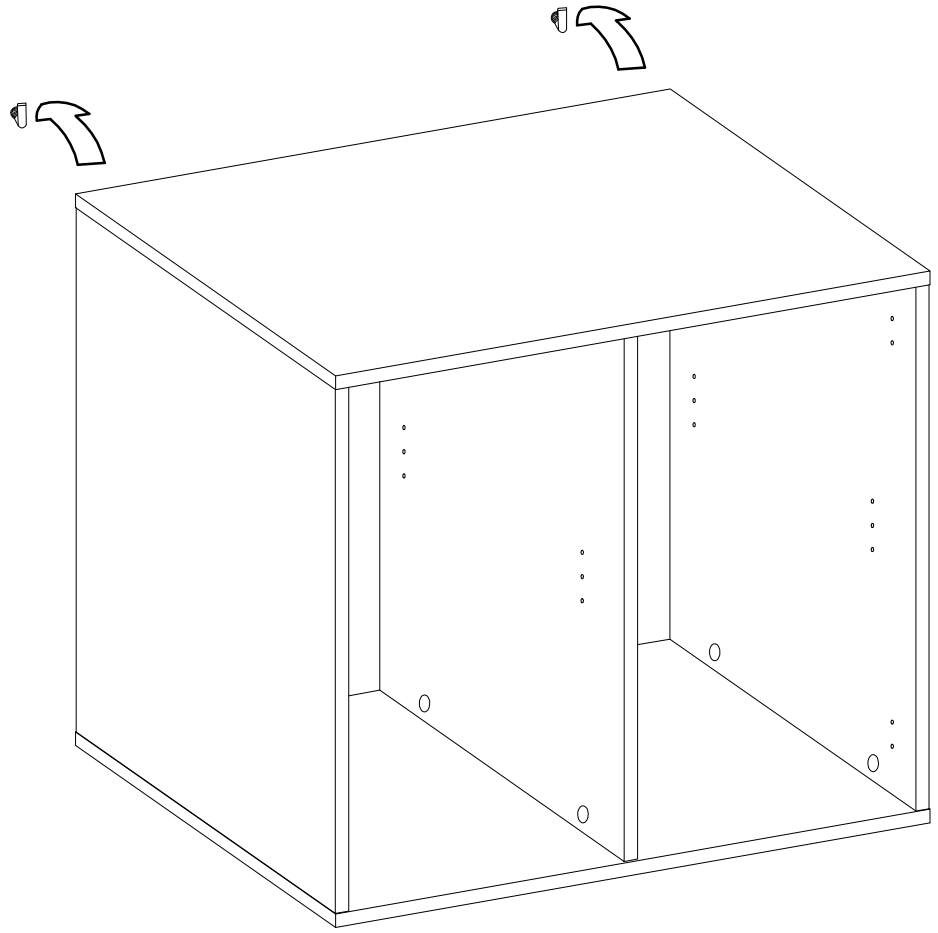
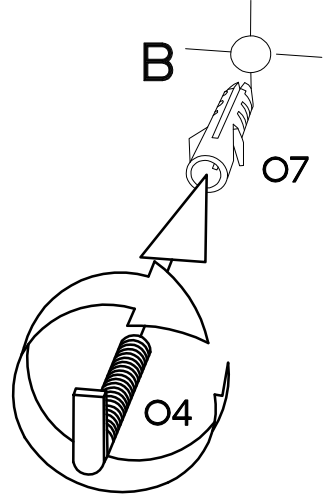
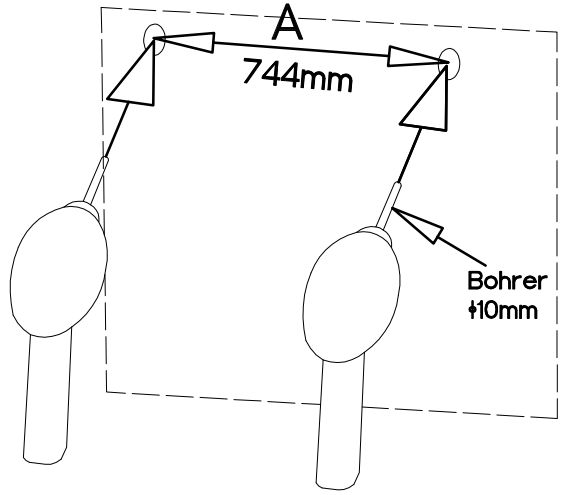
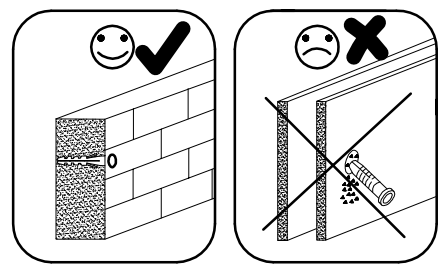
11

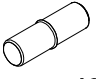
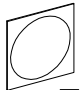


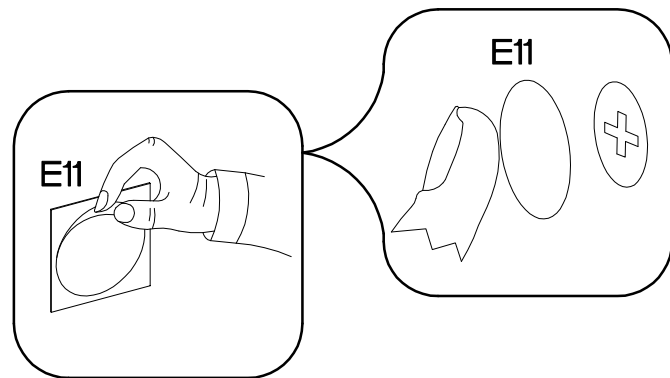
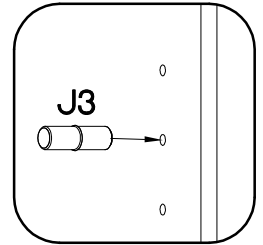
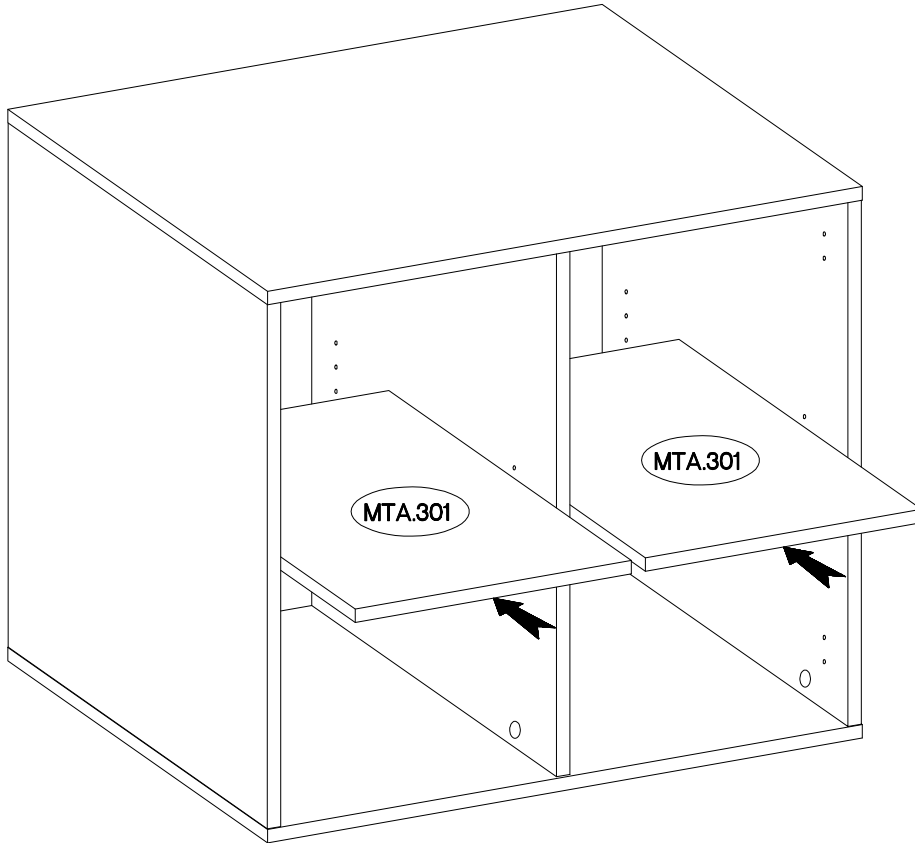
$\varnothing 3.0 \times 20 \text{mm}$  P7 5	 L2 5	 L 10
--------------------------------------------------------------------------------------------------------------------------------------	---------------------------------------------------------------------------------------------	---------------------------------------------------------------------------------------------



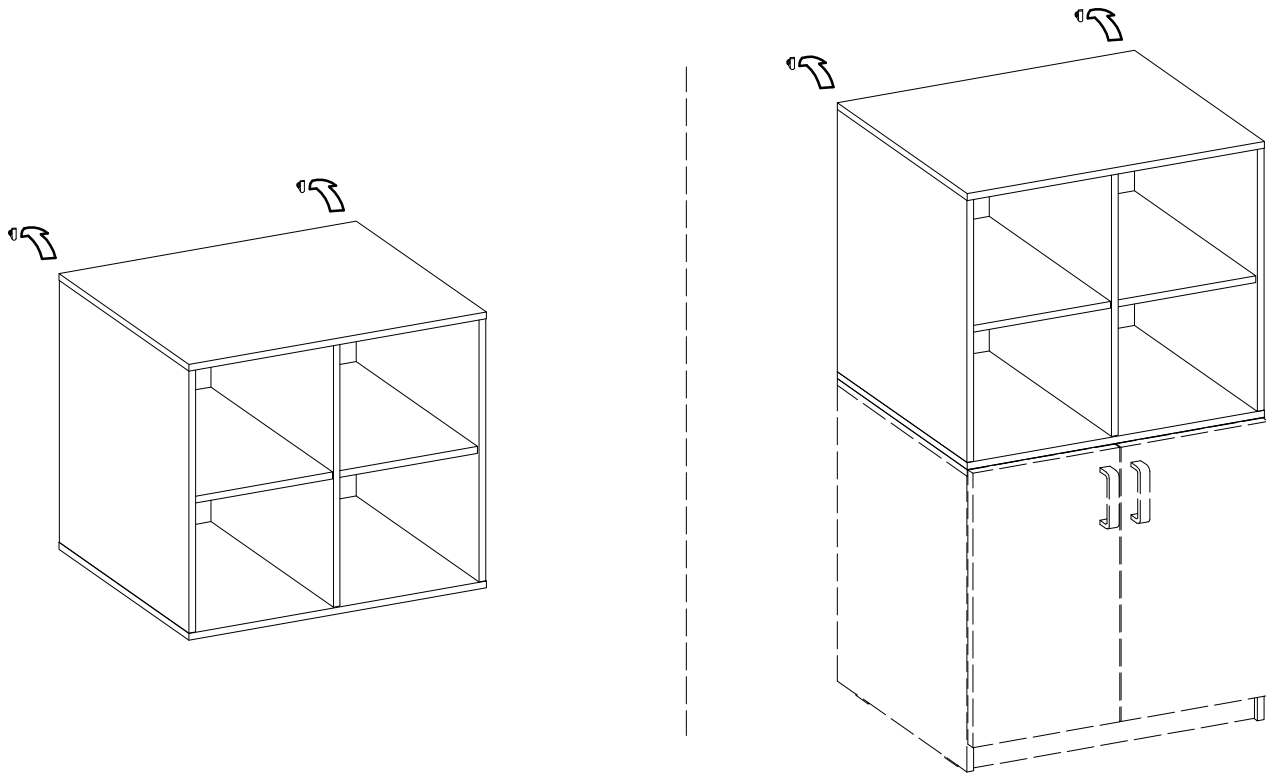
<p>Ø10x50mm O7</p>	<p>6,5/68mm O4</p>	<p>L K11</p>	<p>R K12</p>
2	2	1	1



$\pm 5/16\text{mm}$  J3 8	± 20  E11 12
--------------------------------------------------------------------------------------------------------------------	-----------------------------------------------------------------------------------------------------------



15 OPTION



16 OPTION

