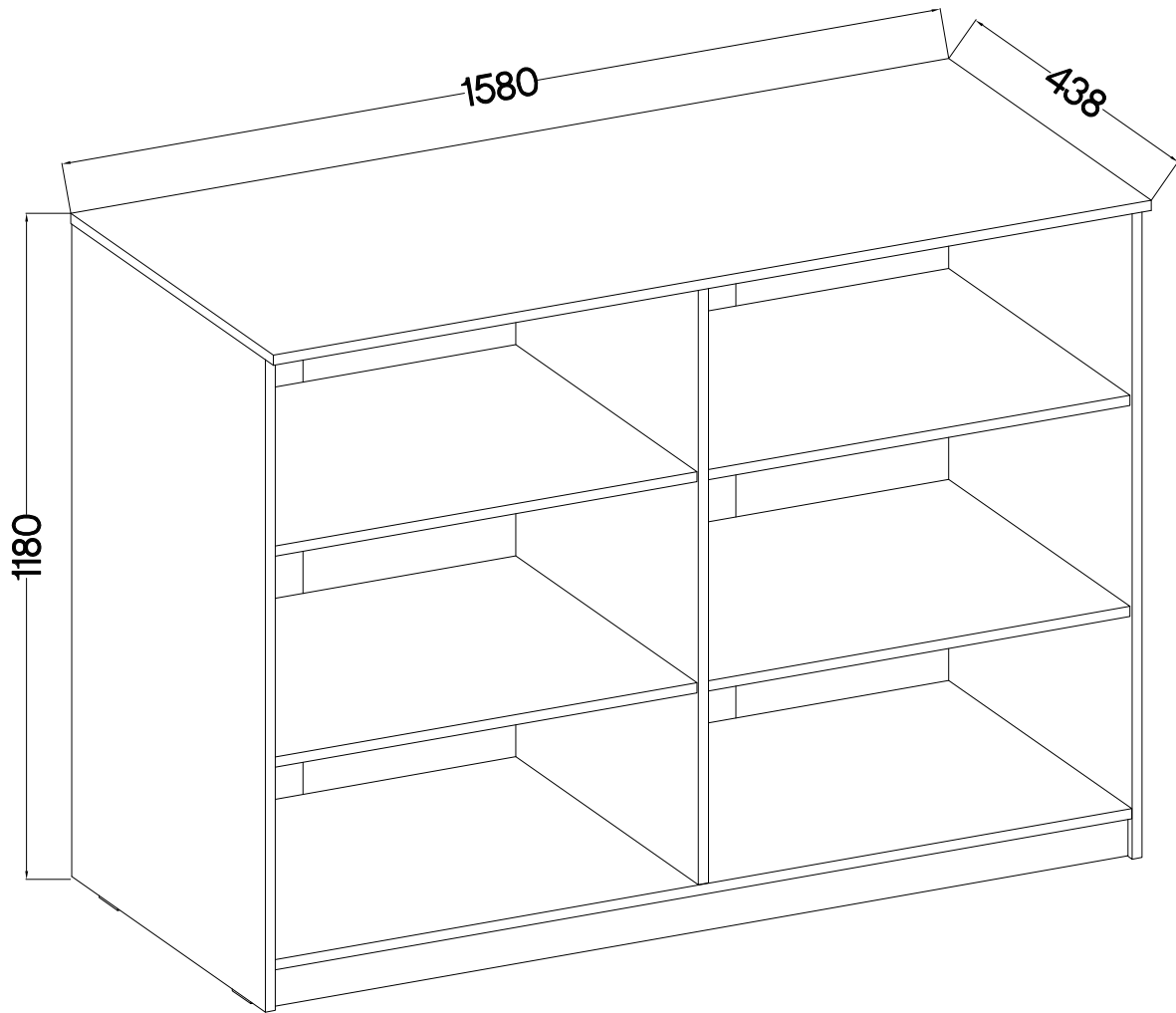
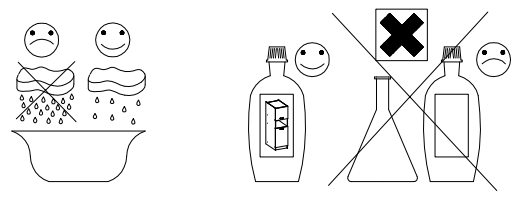
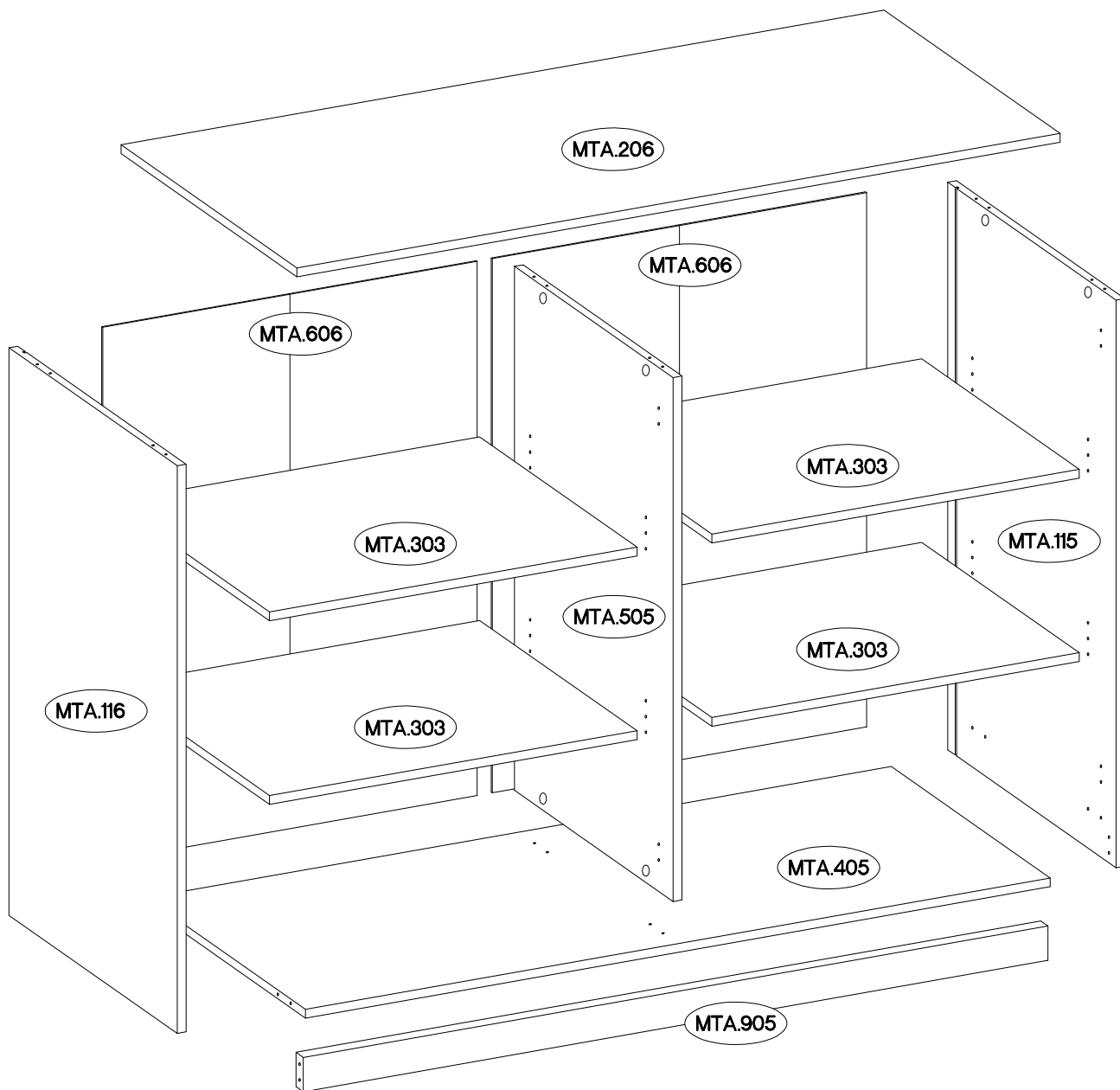


# MALTA TYP 840

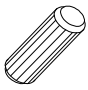
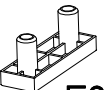


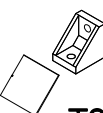




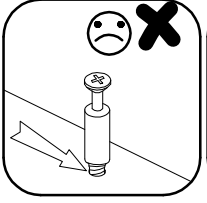
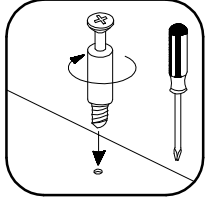
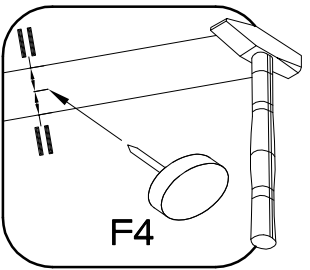
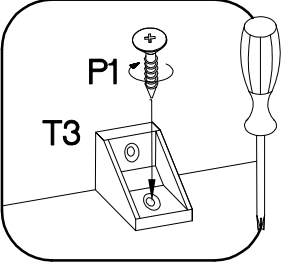
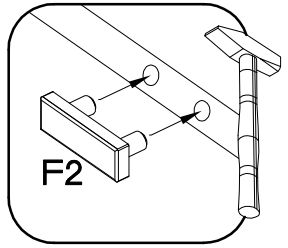
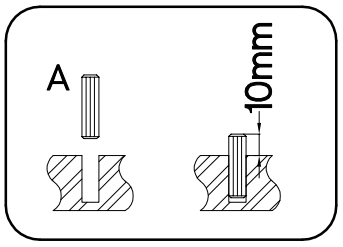
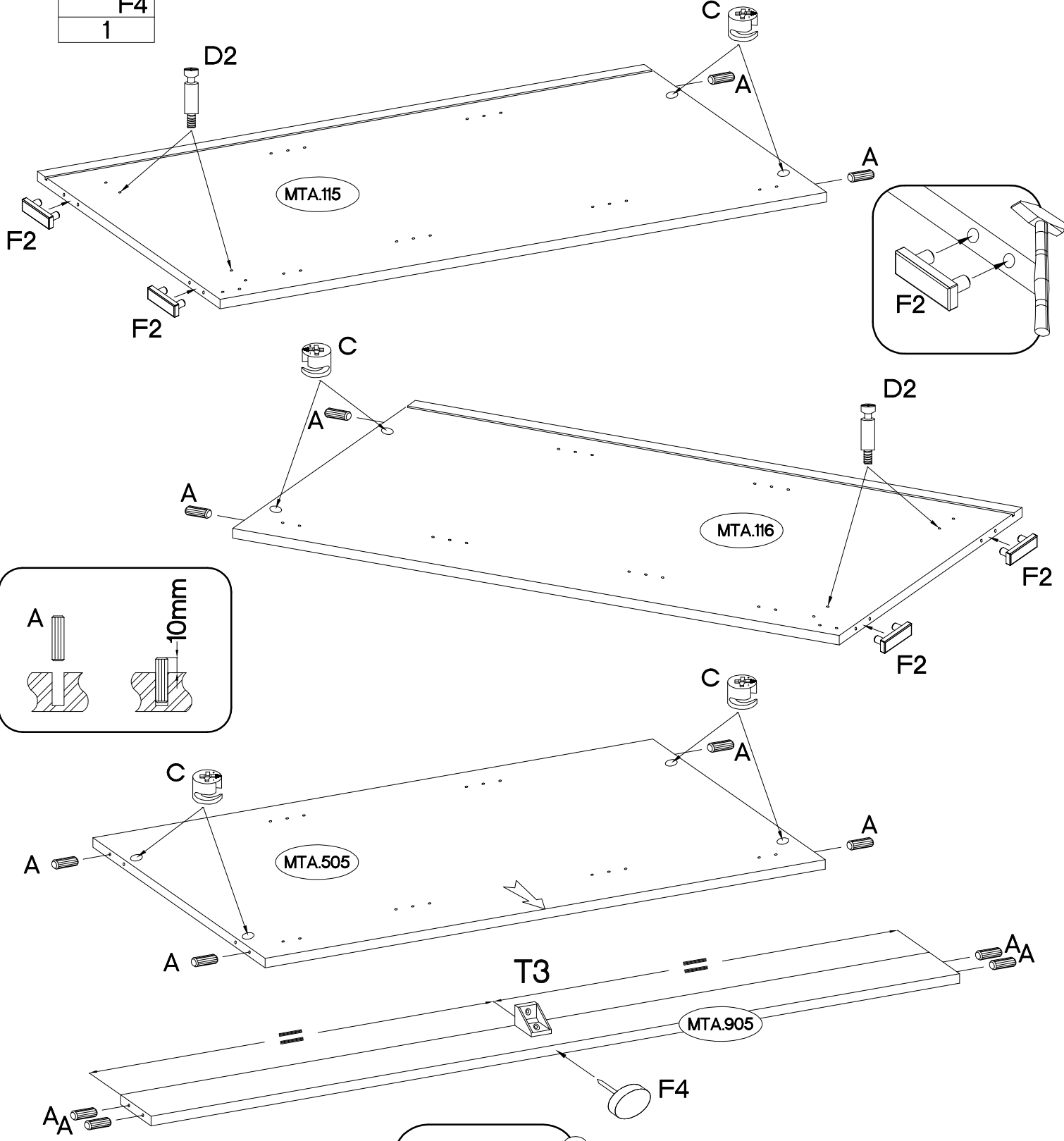
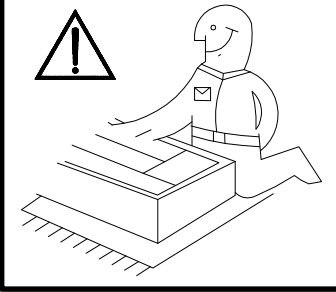
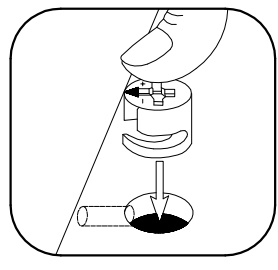
 <b>8x30mm</b> <b>A</b>	 <b>15/12mm</b> <b>C</b>	 <b>L=20mm</b> <b>D2</b>	 <b>20</b> <b>E11</b>	 <b>6.5x48x16</b> <b>F2</b>							
16	12	12	8	4							
 <b>15x5mm</b> <b>F4</b>	 <b>5/16mm</b> <b>J3</b>	 <b>L</b>	 <b>L2</b>	 <b>L9</b>	 <b>5</b> <b>M10</b>	 <b>10x50mm</b> <b>O7</b>	 <b>4.0x16mm</b> <b>P1</b>	 <b>3.5x13mm</b> <b>P5</b>	 <b>3.0x20mm</b> <b>P7</b>	 <b>T3</b>	
1	16	12	6	2	2	2	2	2	2	16	1



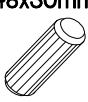

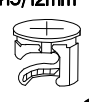
MTA.303

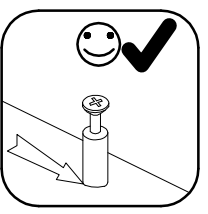
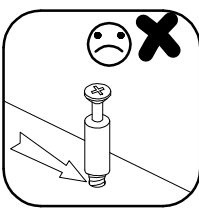
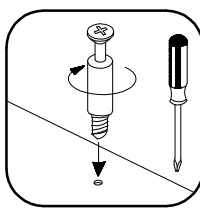
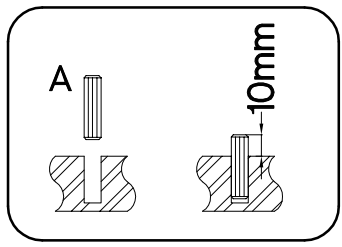
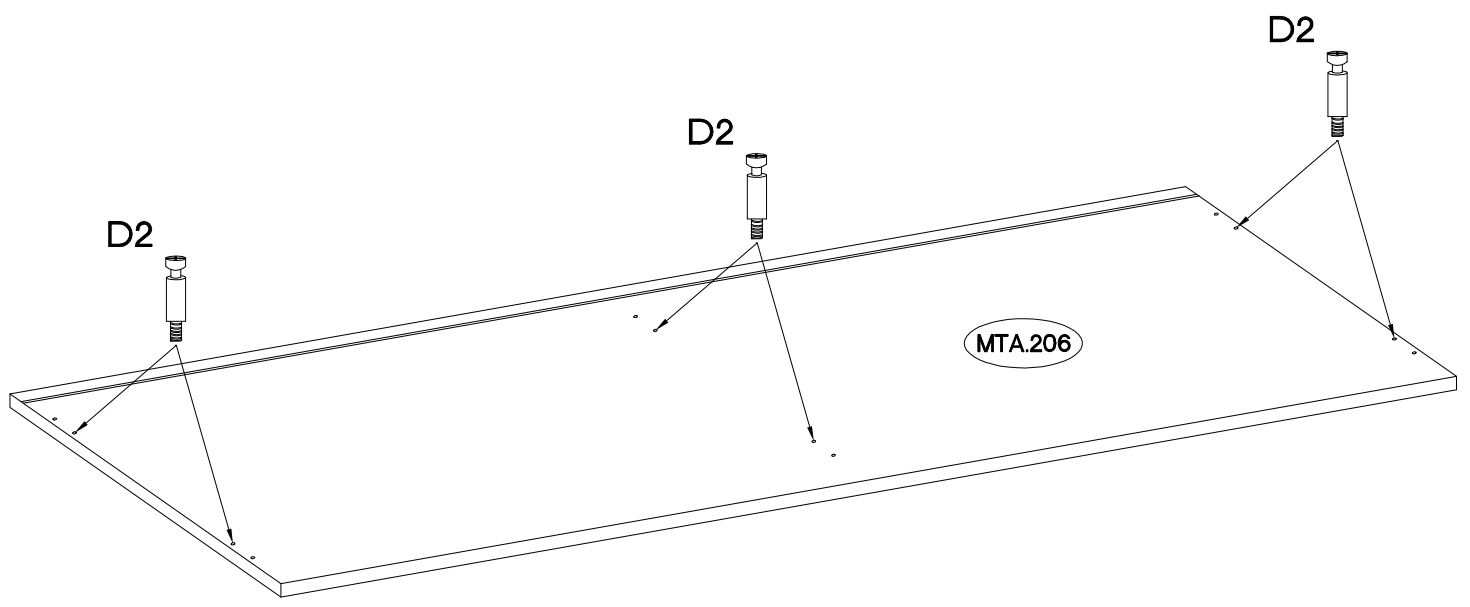
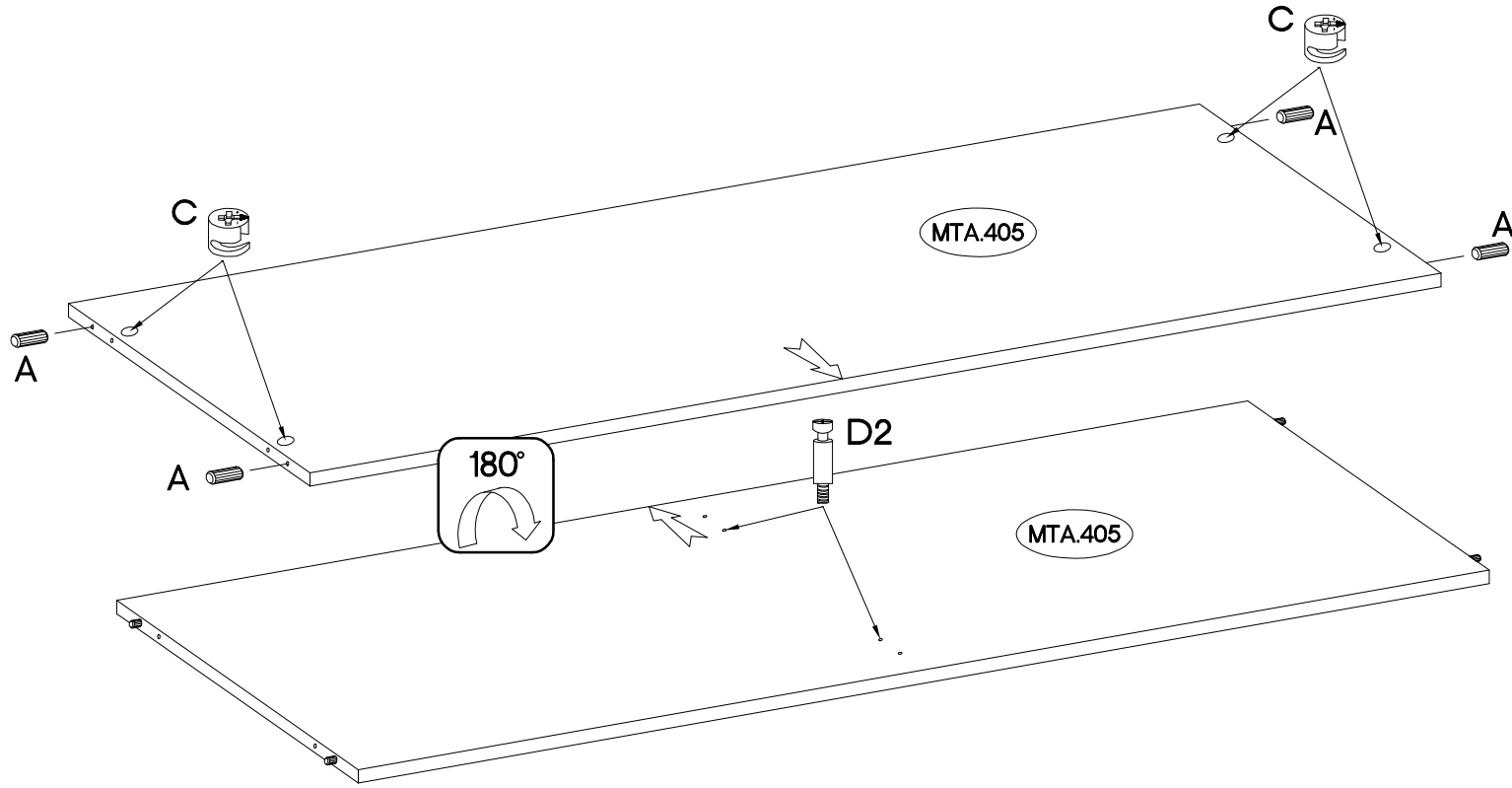
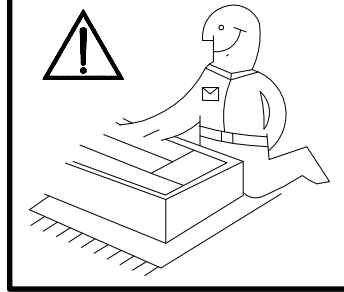
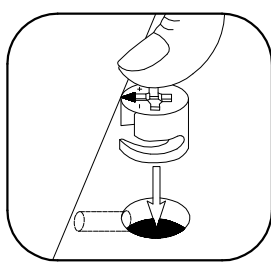
Ersatzteil Nummer	Dimension
MTA.115	1157x419x18
MTA.116	1157x419x18
MTA.206	1580x38x18
MTA.303 x4	761x392x18
MTA.405	1542x396x18
MTA.505	1068x395x18
MTA.905	1542x70x18
MTA.606 x2	1089x775x2,5

$\varnothing 8 \times 30 \text{mm}$  A 12	$6.5 \times 48 \times 16$  F2 4	$L=20 \text{mm}$  D2 4	$\varnothing 15/12 \text{mm}$  C 8	 T3 1	$\varnothing 4.0 \times 16 \text{mm}$  P1 1
$\varnothing 15 \times 5 \text{mm}$  F4 1					

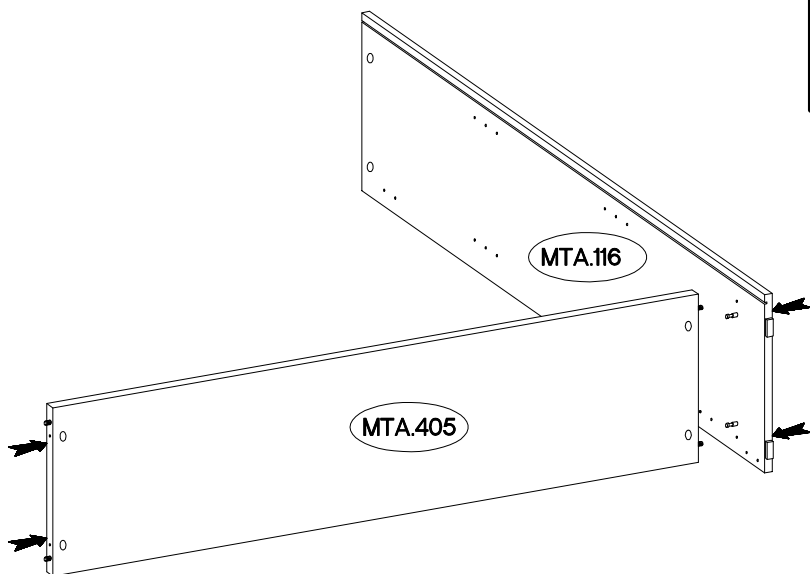
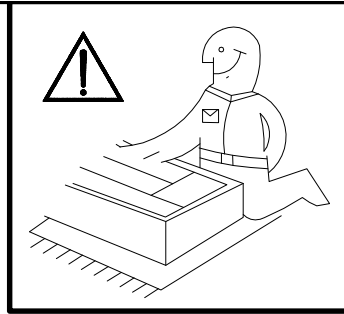


# 2

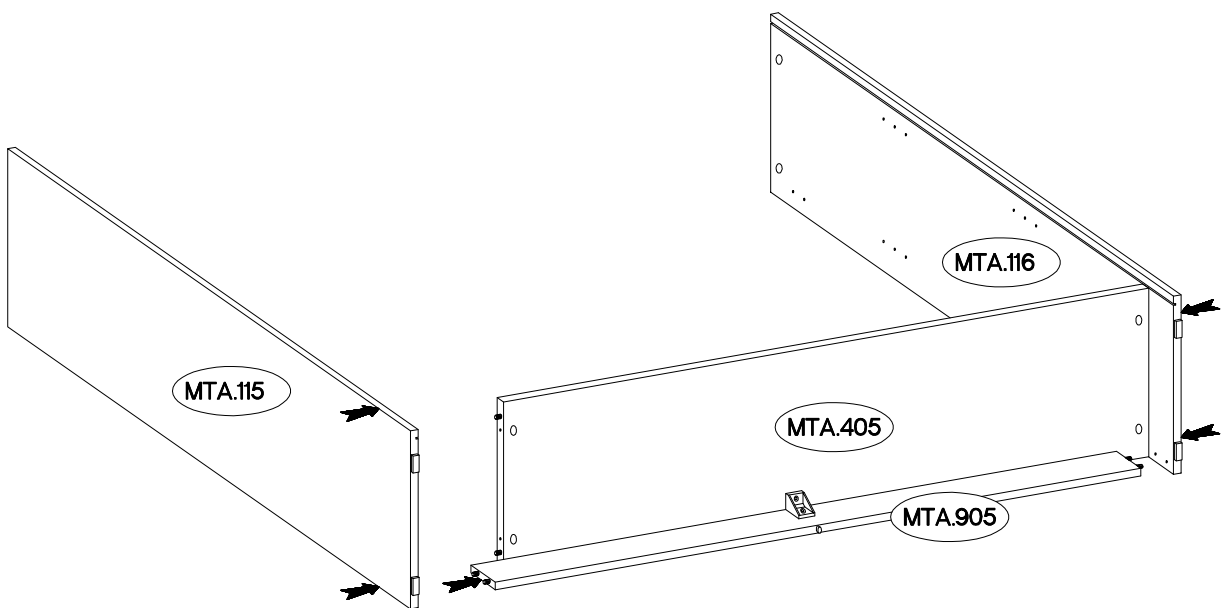
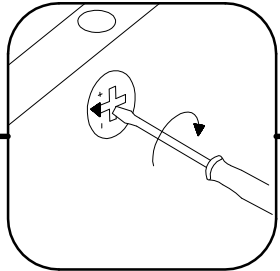
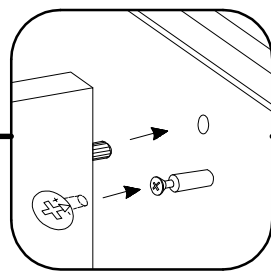
$\varnothing 8 \times 30 \text{mm}$  A 4	L=20mm  D2 8	$\varnothing 15/12 \text{mm}$  C 4
---	---	---



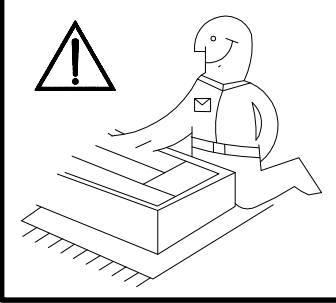
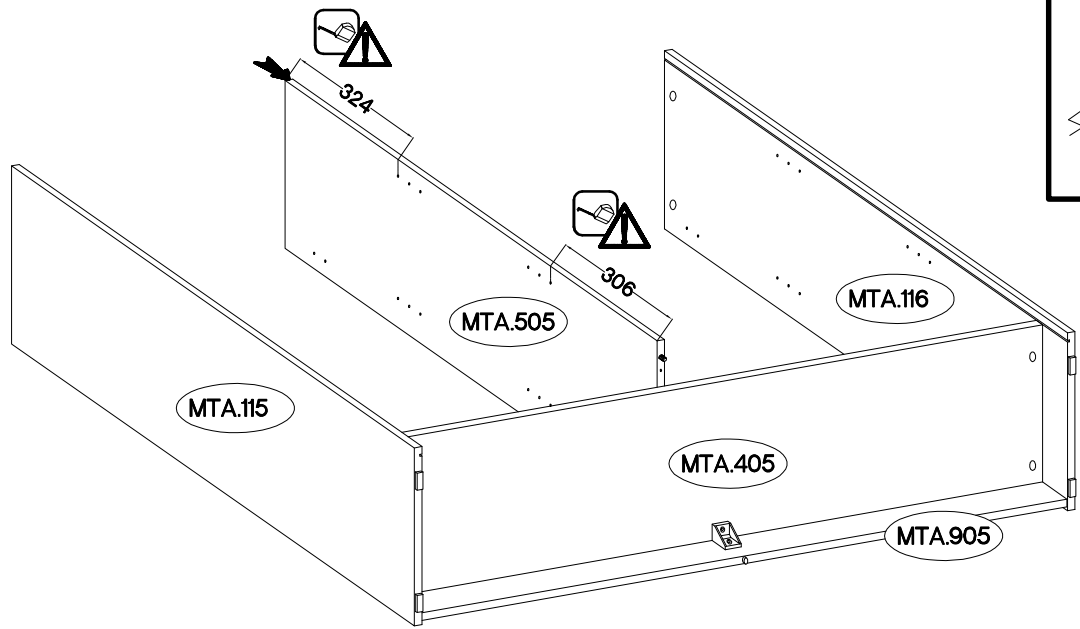
3



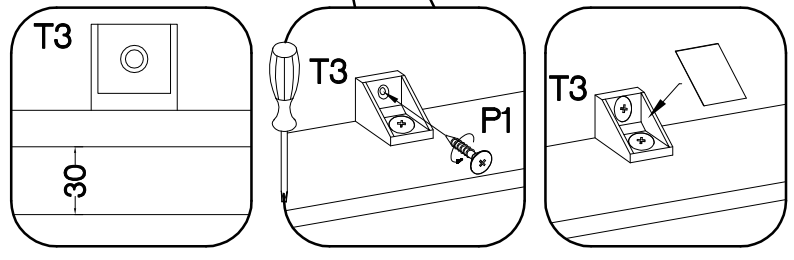
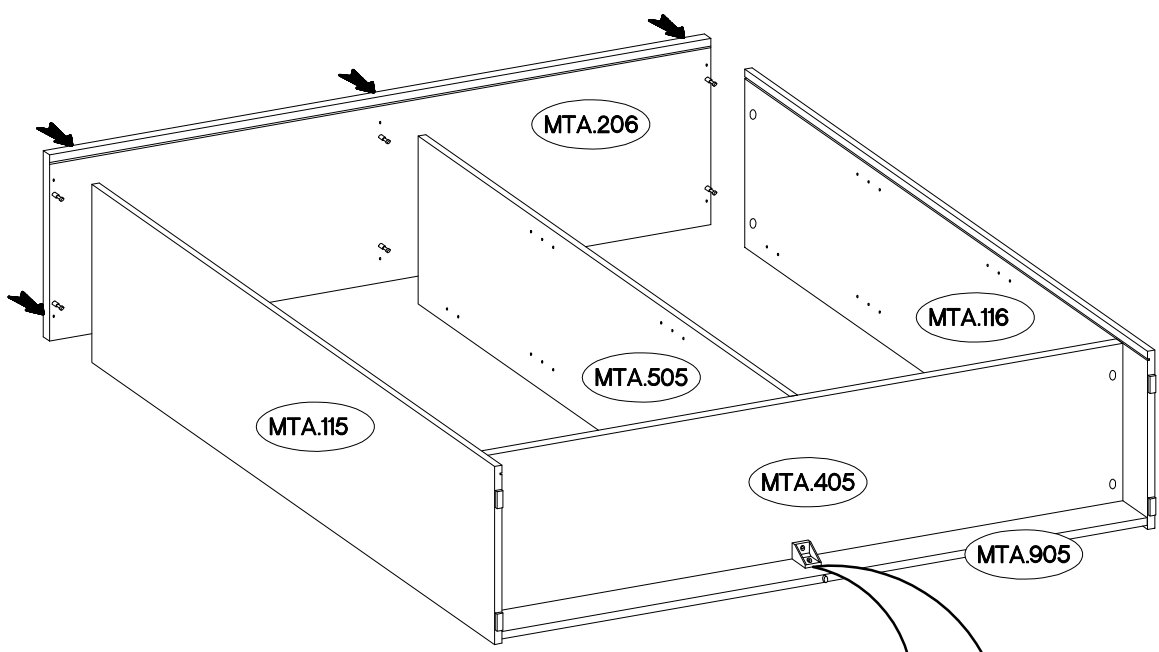
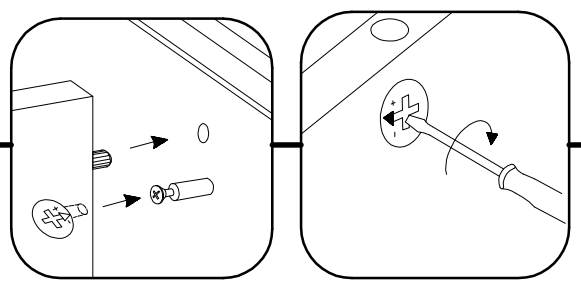
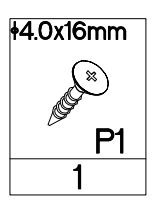
4




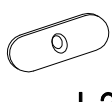
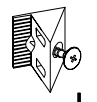
5

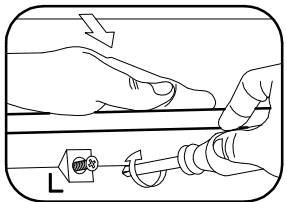
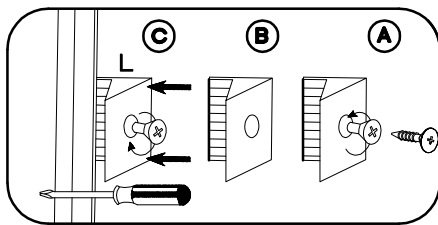
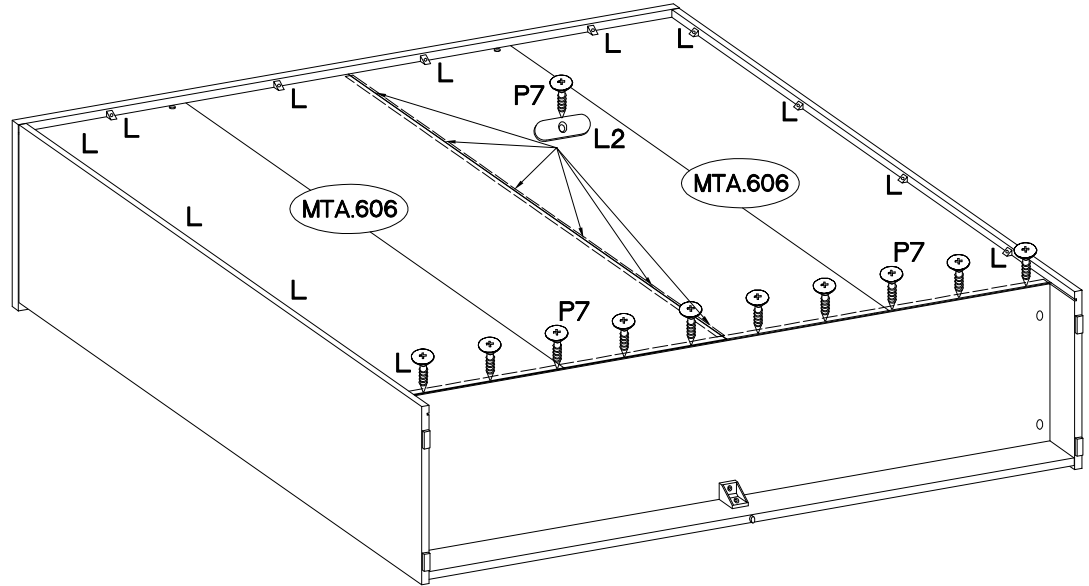
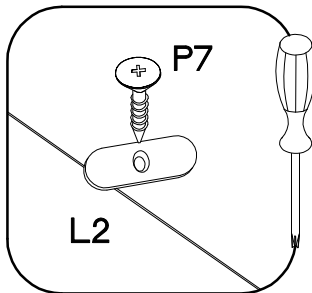
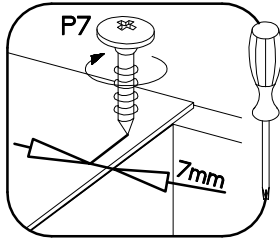
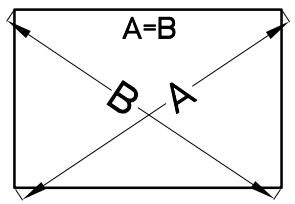
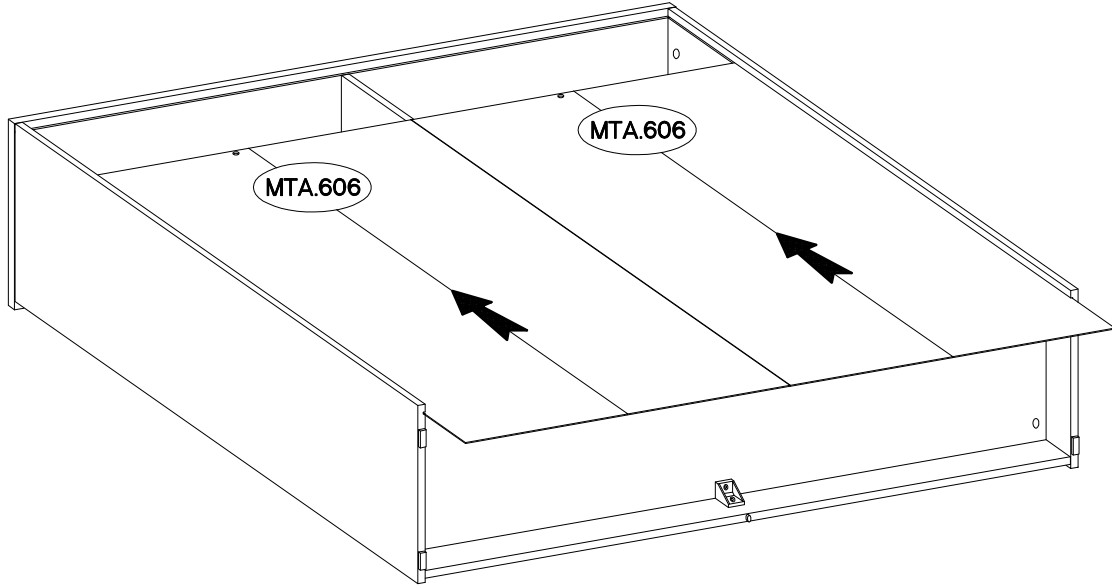
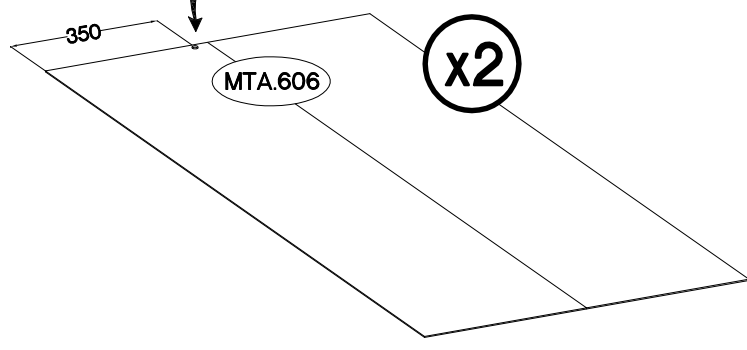
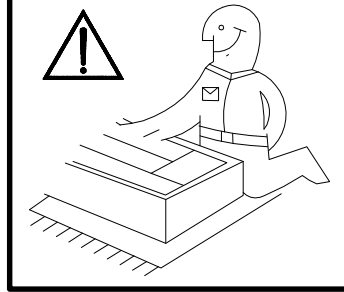
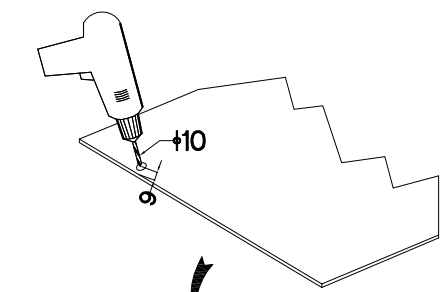





6

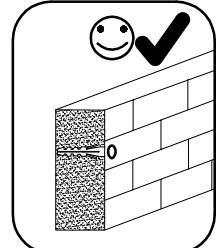
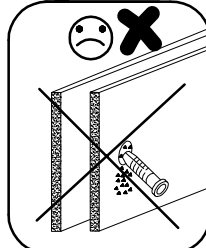
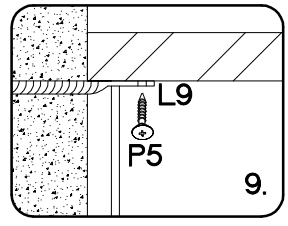
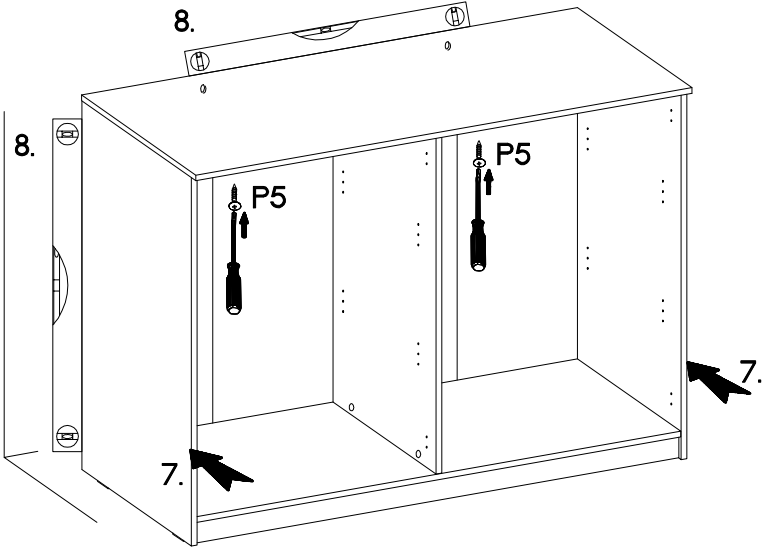
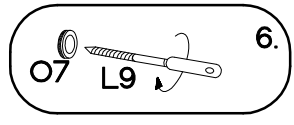
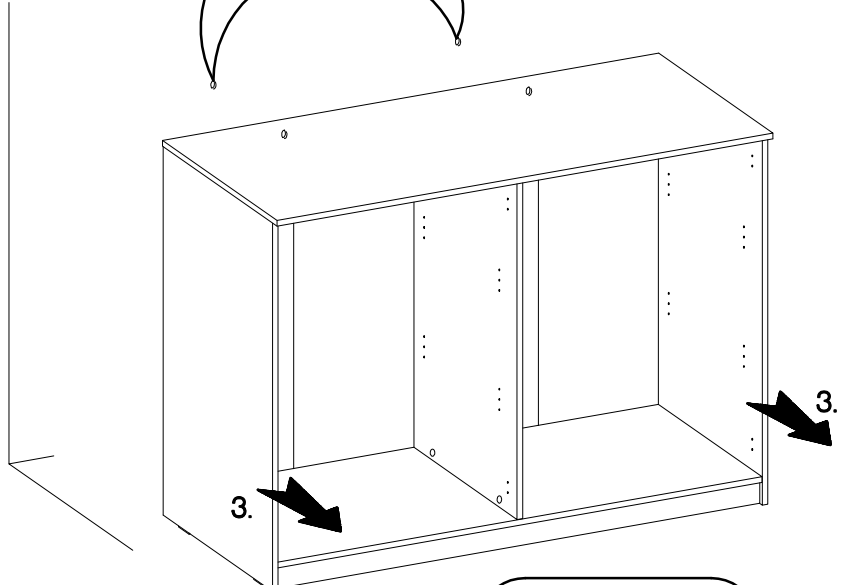
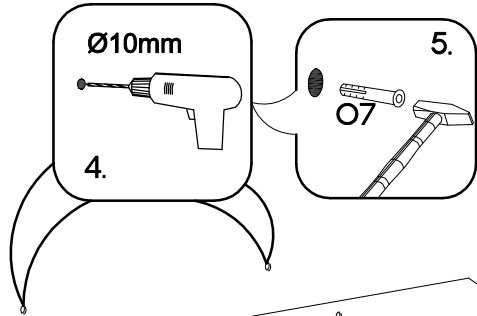
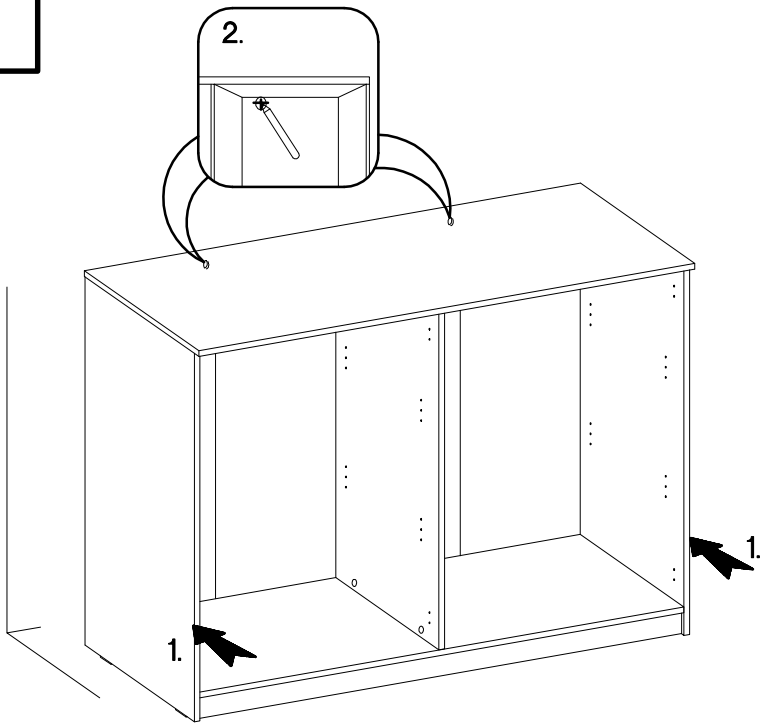


7

#3.0x20mm		
		
P7	L2	L
16	6	12

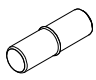
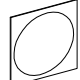


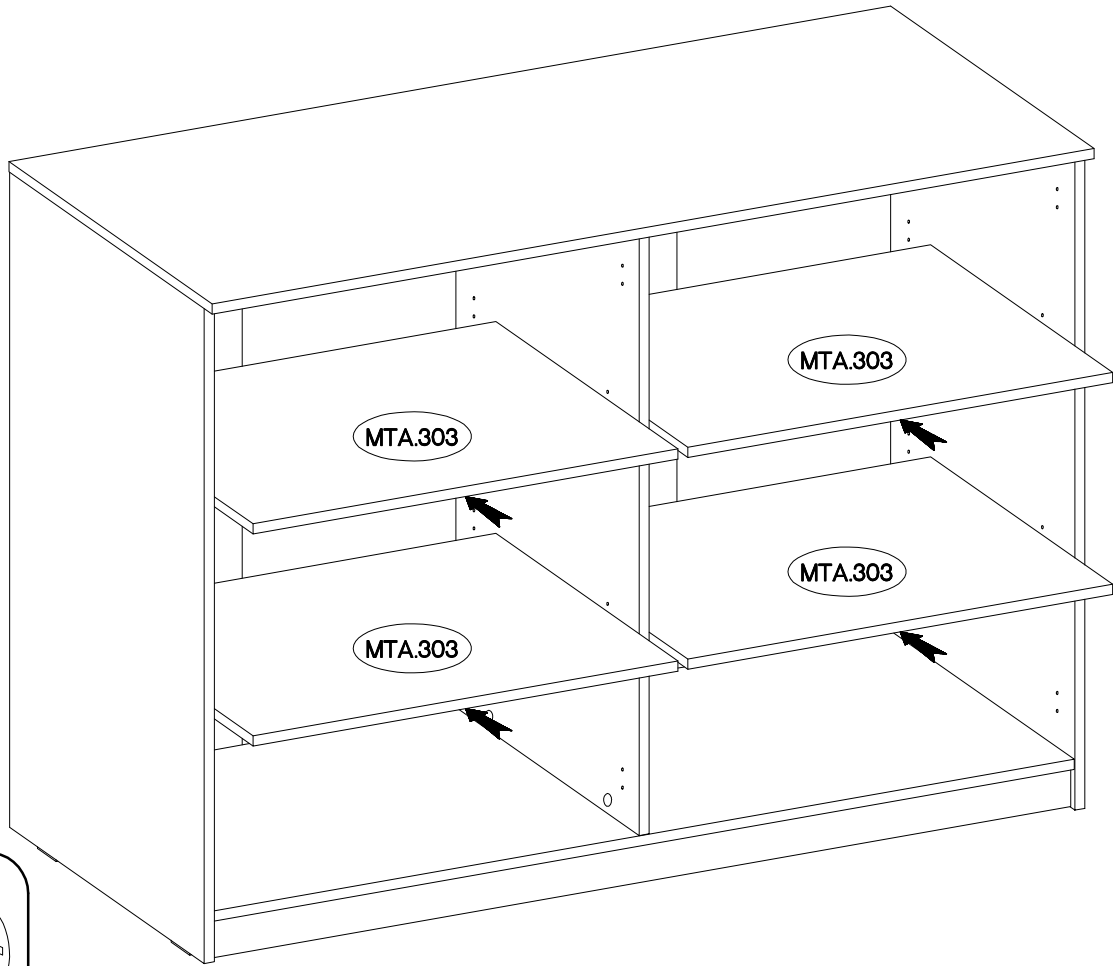
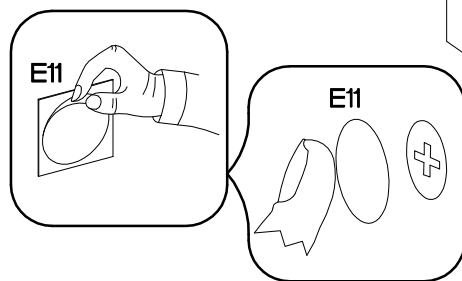
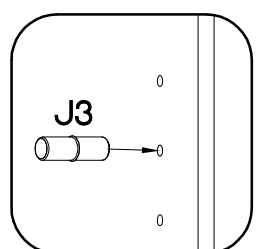
 $\pm 10 \times 50 \text{mm}$ O7 2	 L9 2	 $\pm 3.5 \times 13 \text{mm}$ P5 2
---	---	---





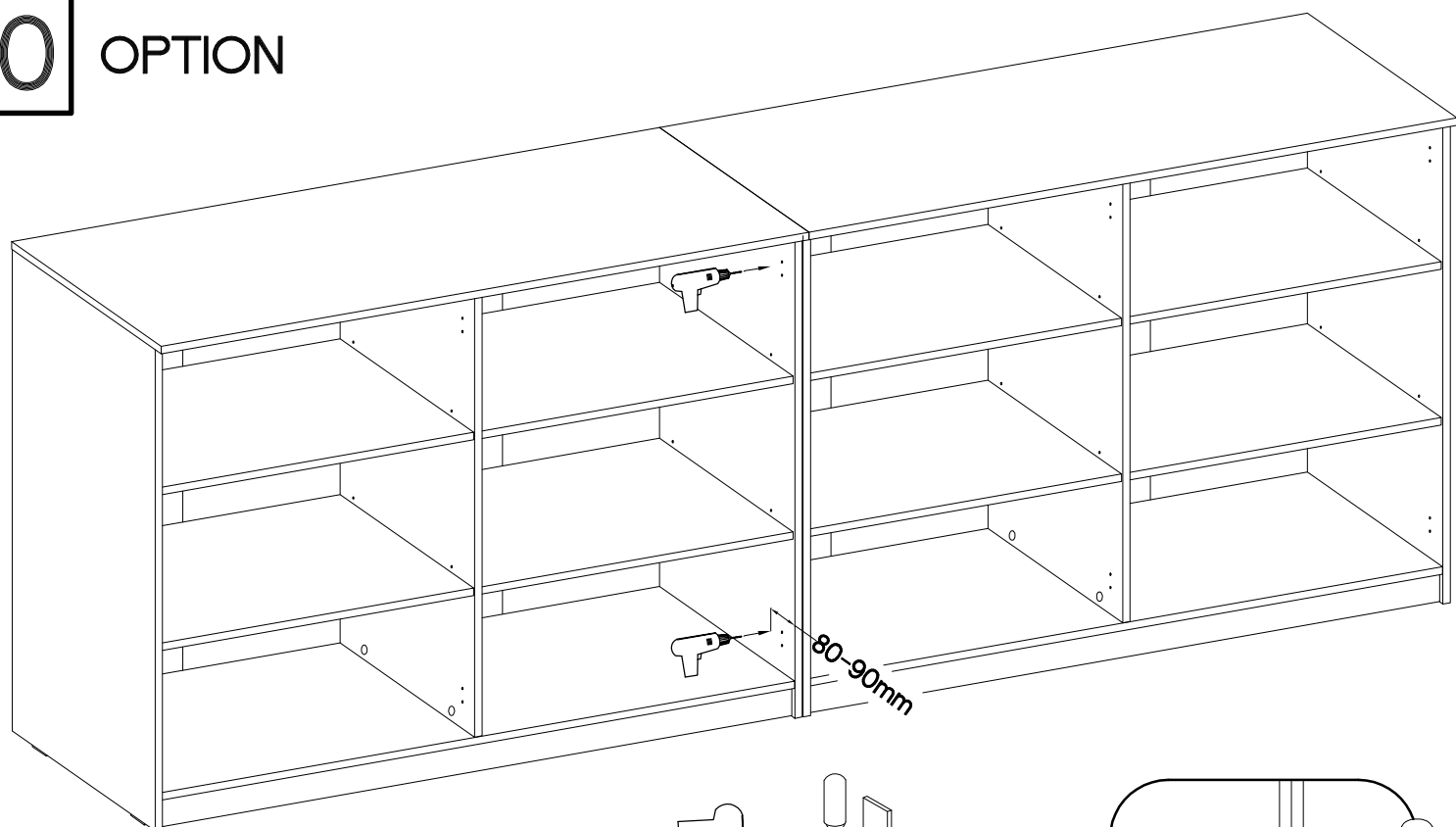
9


±5/16mm	±20
	
J3	E11
16	8



10

OPTION



±5

M10
2

