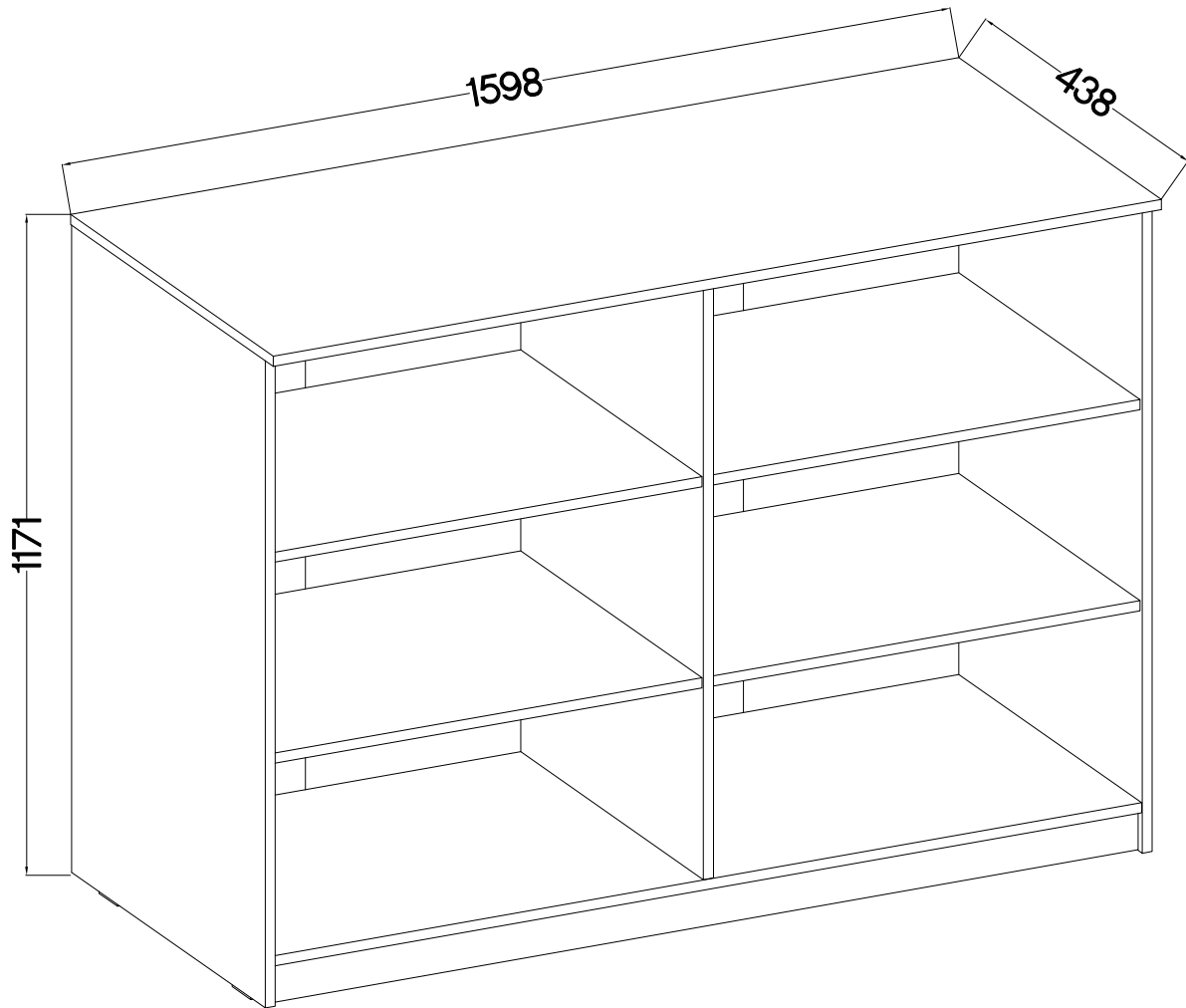
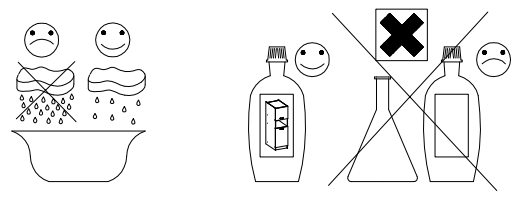
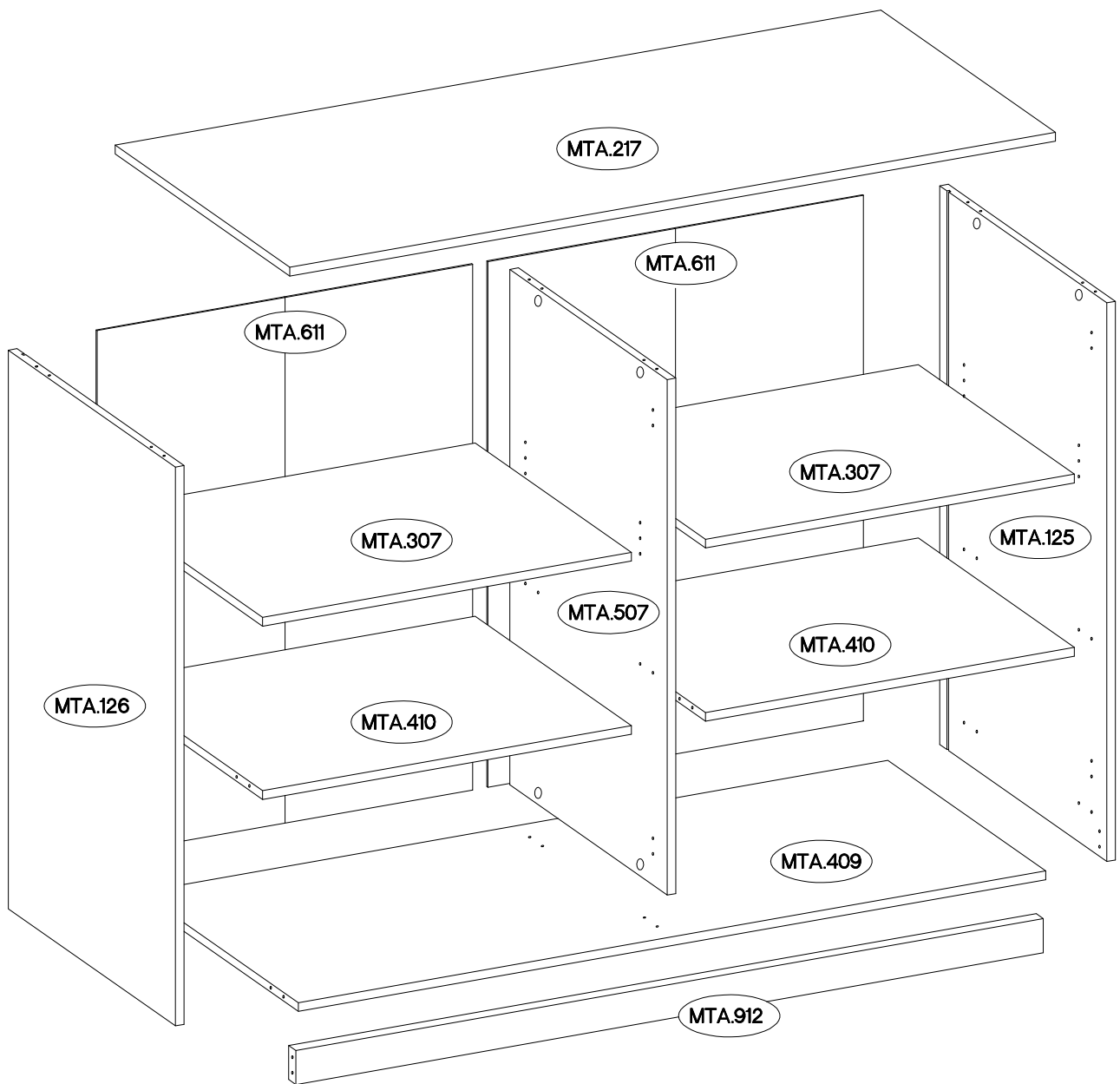






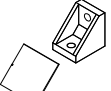


# MALTA TYP 860

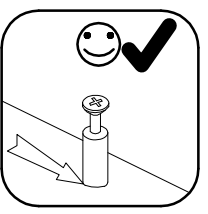
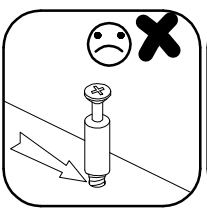
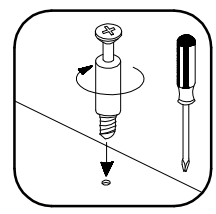
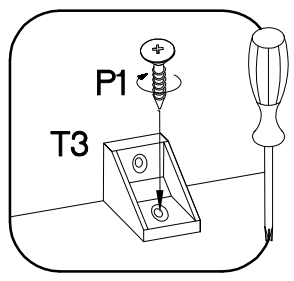
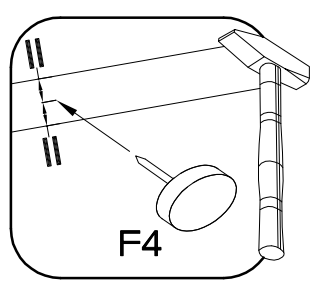
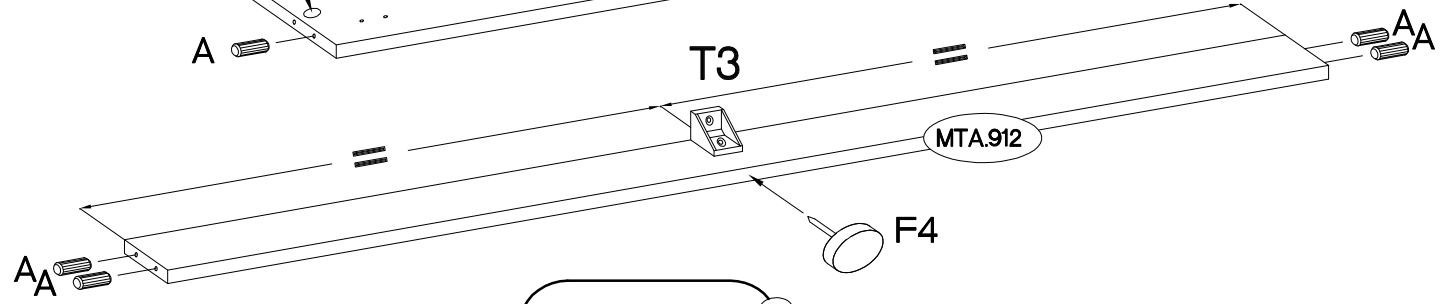
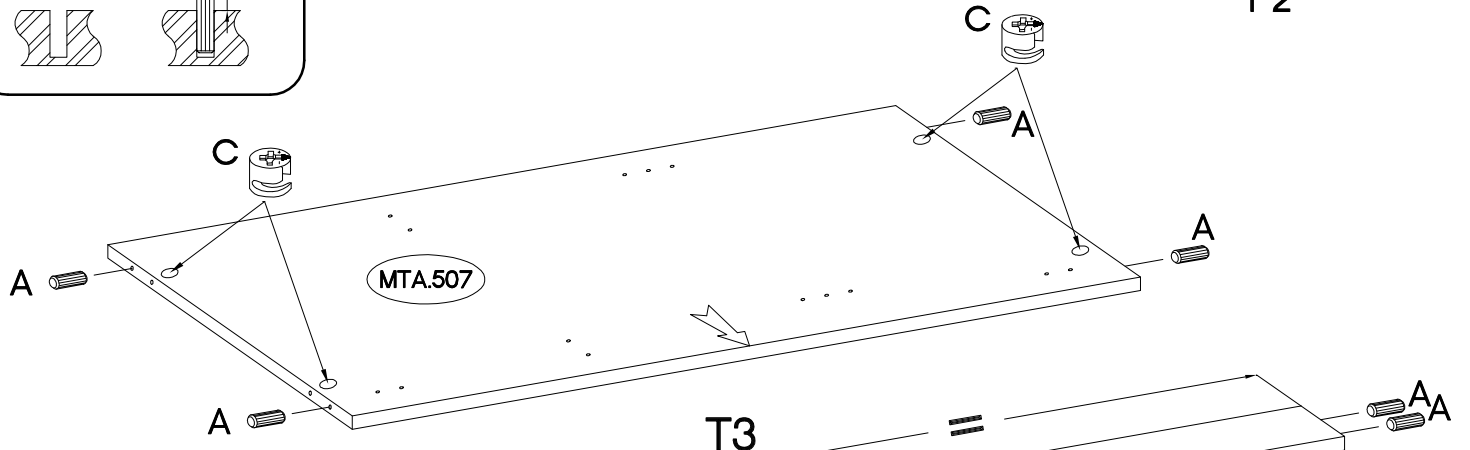
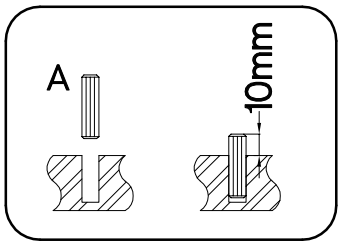
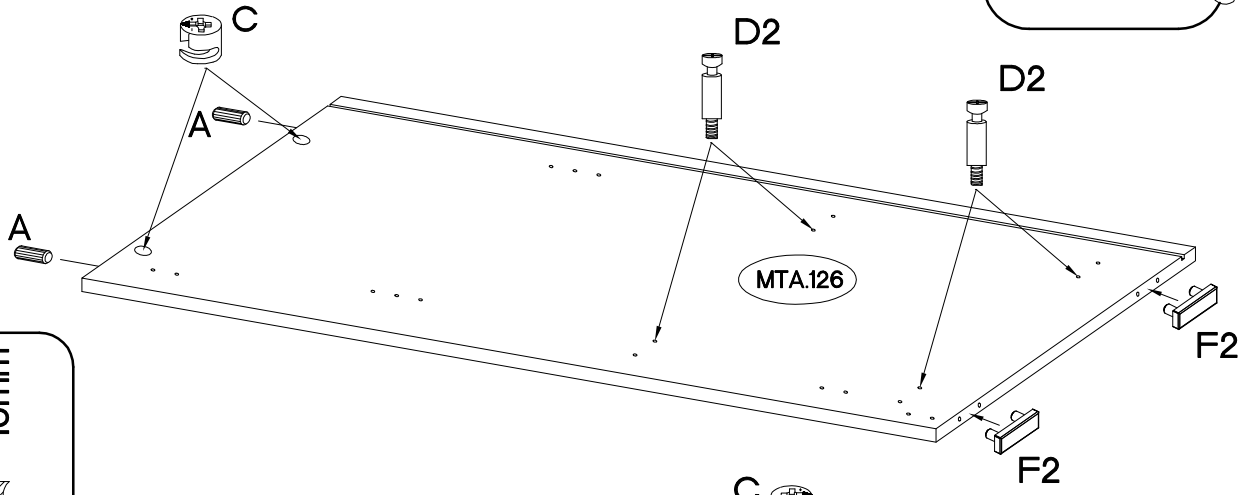
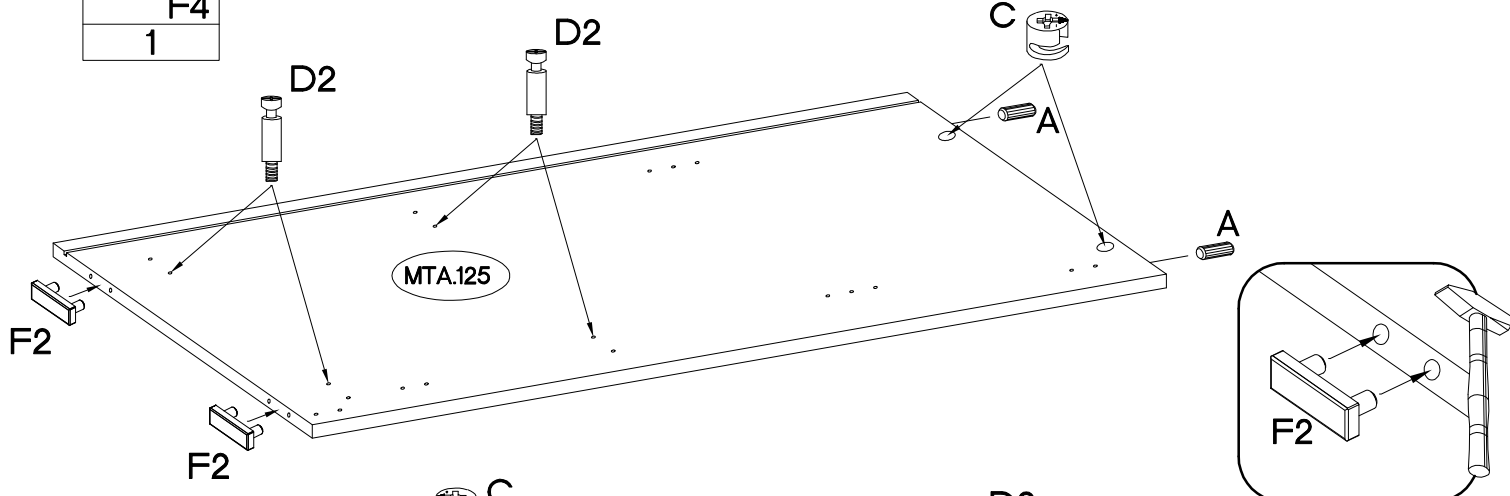
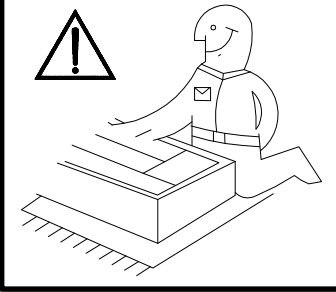
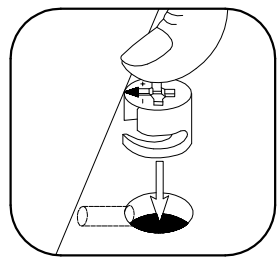


 †8x30mm <b>A</b> 20	 †8x60mm <b>A2</b> 2	 †15/12mm <b>C</b> 20	 L=20mm <b>D2</b> 16	 L=56mm <b>D4</b> 2	 †20 <b>E11</b> 8	 6.5x48x16 <b>F2</b> 4	 †15x5mm <b>F4</b> 1	 †5/16mm <b>J3</b> 8	 <b>L</b> 12	 <b>L2</b> 6	 <b>L9</b> 2	 †5 <b>M10</b> 2	 †10x50mm <b>O7</b> 2	 †4.0x16mm <b>P1</b> 2	 †3.5x13mm <b>P5</b> 2	 †3.0x20mm <b>P7</b> 26	 <b>T3</b> 1
-------------------------------	-------------------------------	--------------------------------	-------------------------------	------------------------------	----------------------------	---------------------------------	-------------------------------	-------------------------------	--------------------	--------------------	--------------------	---------------------------	--------------------------------	---------------------------------	---------------------------------	----------------------------------	--------------------

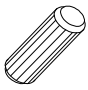
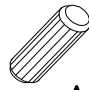




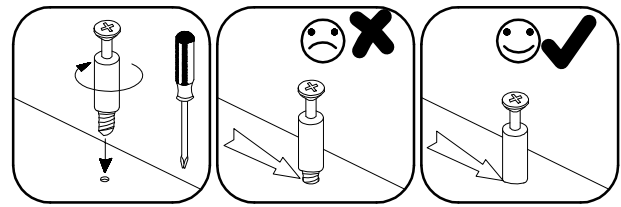
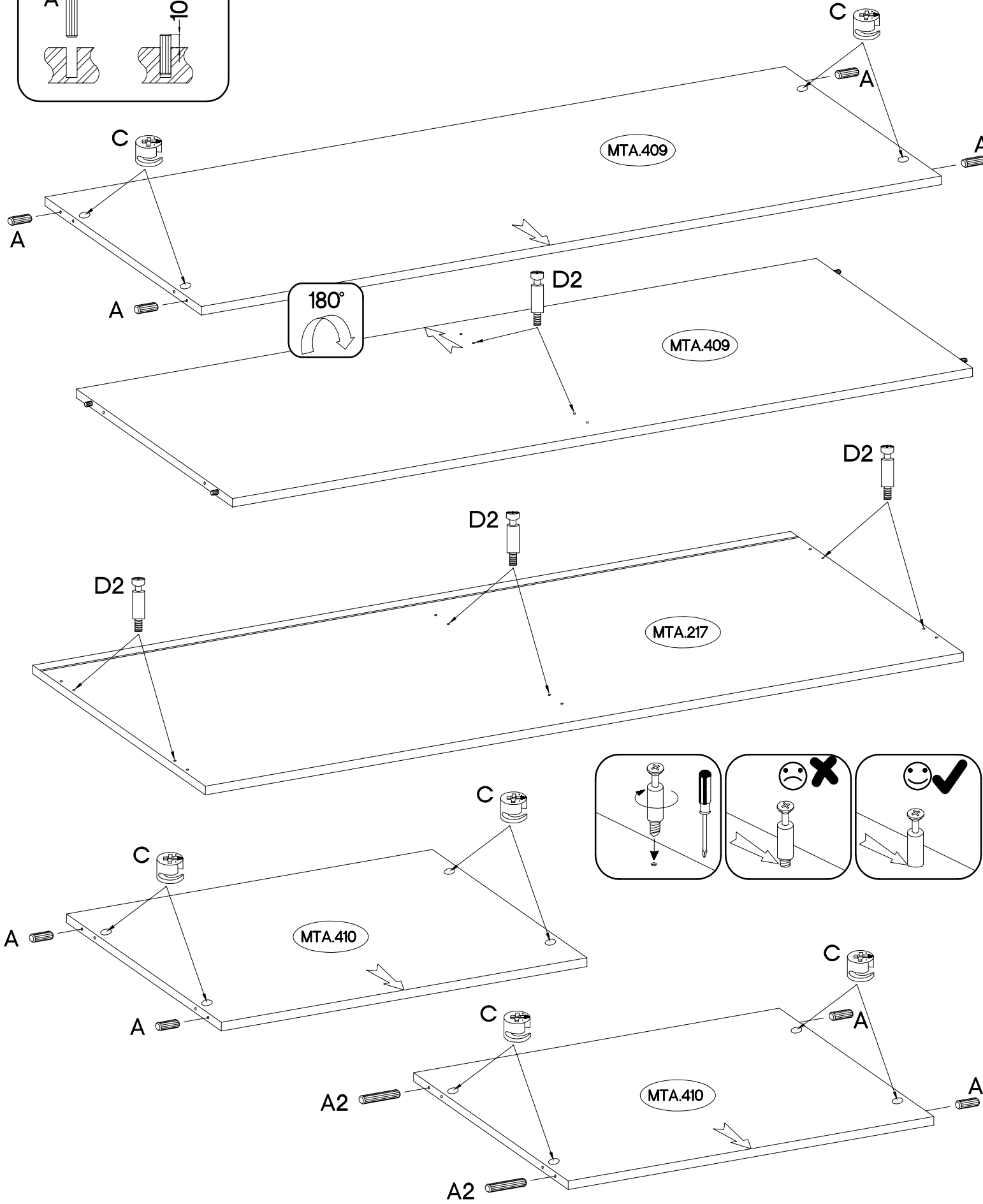
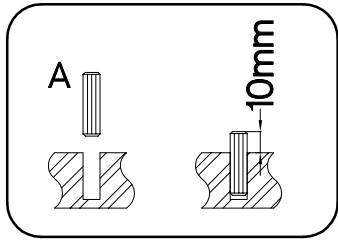
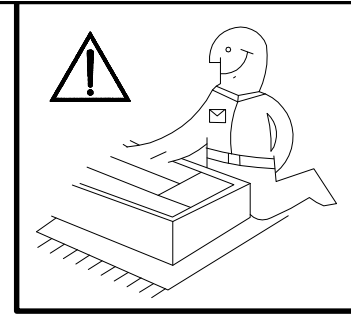
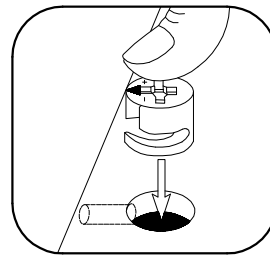
Ersatzteil Nummer	Dimension
MTA.125	1148x419x18
MTA.126	1148x419x18
MTA.217	1598x438x18
MTA.307 x2	770x392x18
MTA.409	1560x396x18
MTA.410 x2	771x392x18
MTA.507	1059x395x18
MTA.611 x2	1080x784x2,5
MTA.912	1560x70x18

$\varnothing 8 \times 30 \text{mm}$  A 12	$6.5 \times 48 \times 16$  F2 4	$L=20 \text{mm}$  D2 8	$\varnothing 15/12 \text{mm}$  C 8	 T3 1	$\varnothing 4.0 \times 16 \text{mm}$  P1 1
$\varnothing 15 \times 5 \text{mm}$  F4 1					



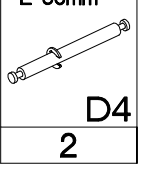
2

$\varnothing 8 \times 30 \text{mm}$  A 8	$\varnothing 8 \times 60 \text{mm}$  A2 2	L=20mm  D2 8	$\varnothing 15/12 \text{mm}$  C 12
---	--	---	--



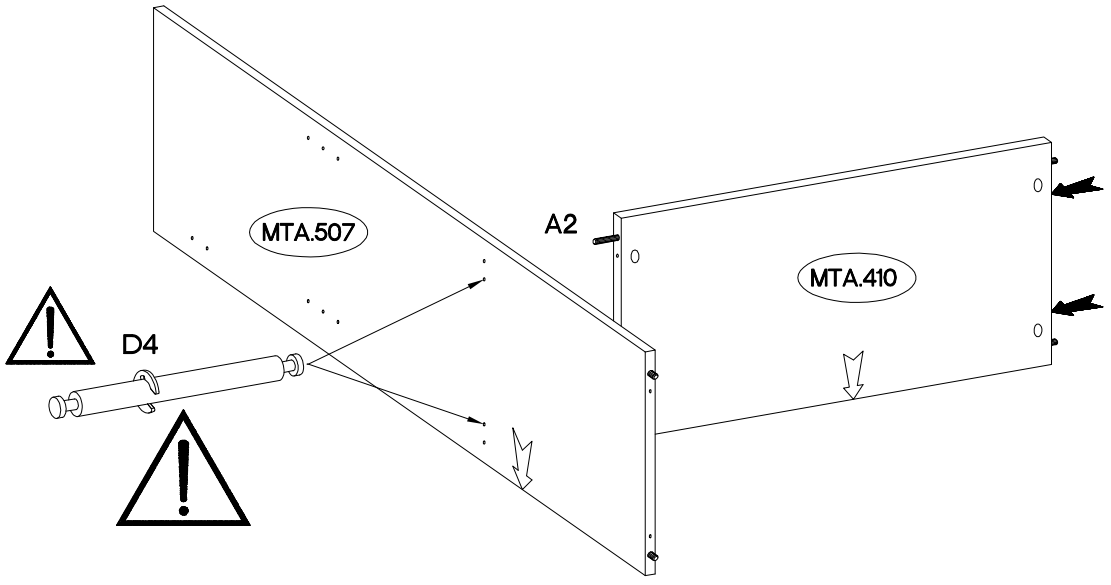
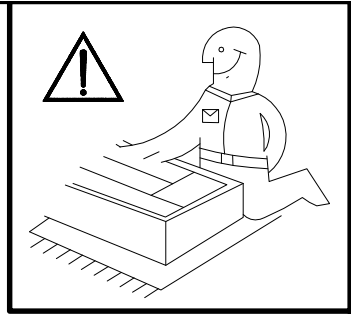
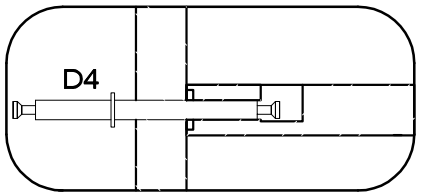
3

L=56mm

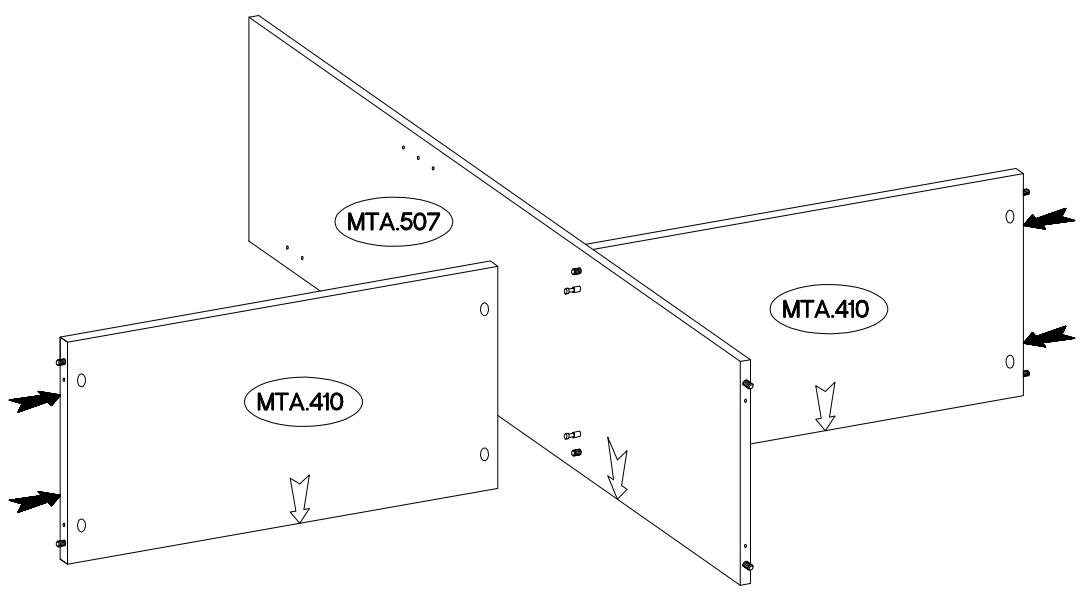
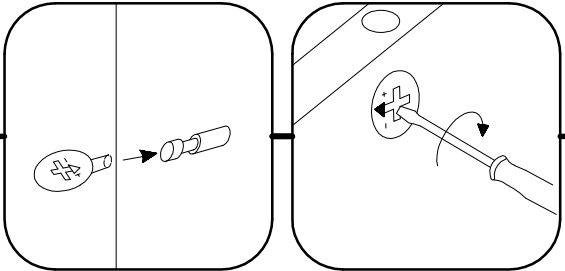


D4

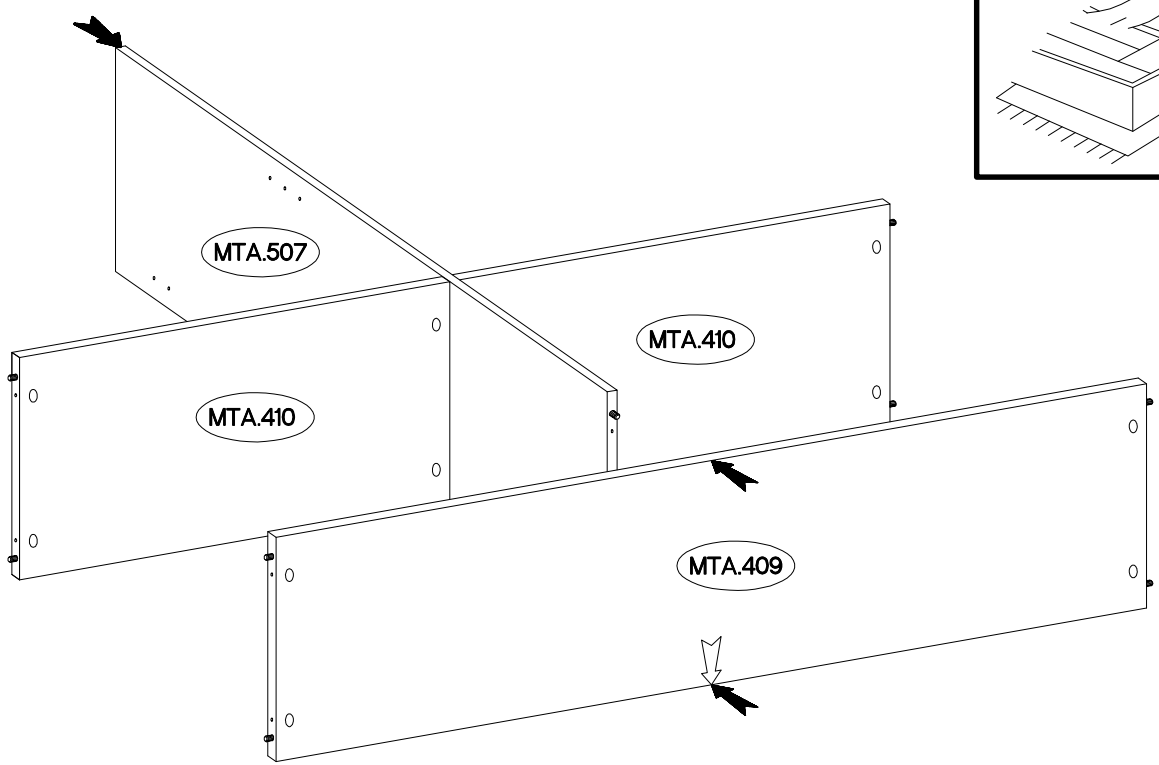
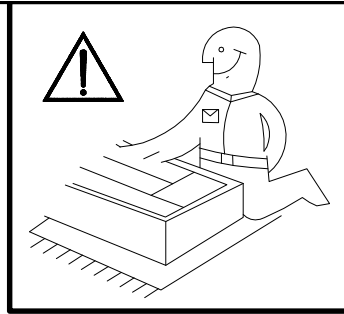
2



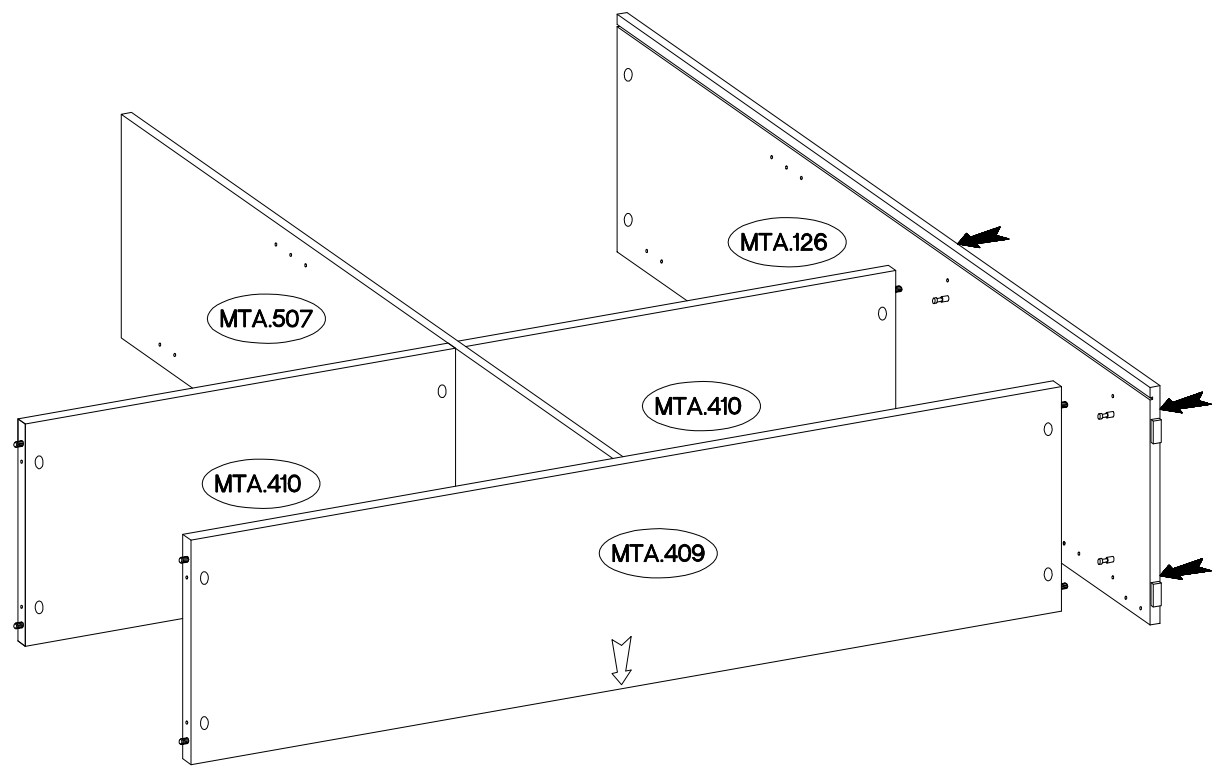
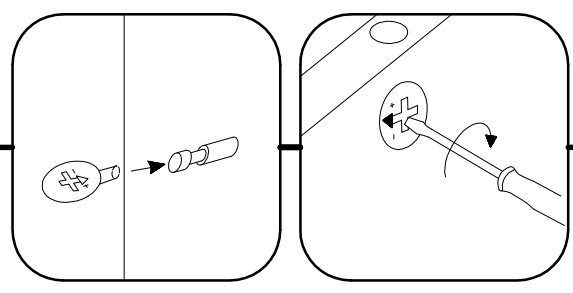
4



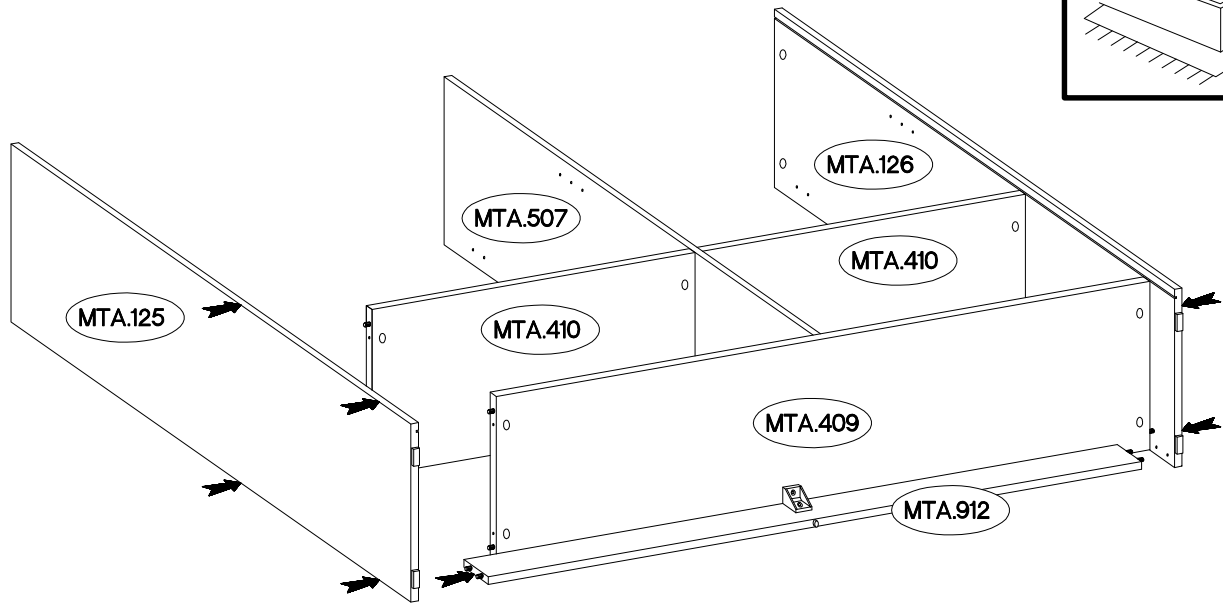
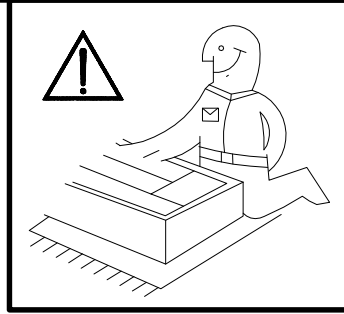
5



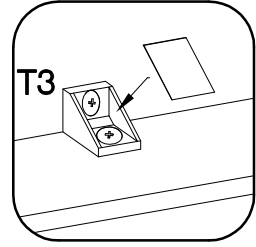
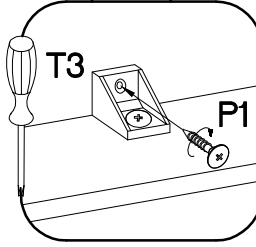
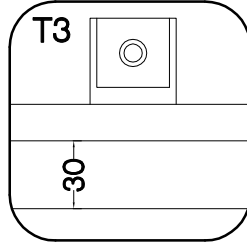
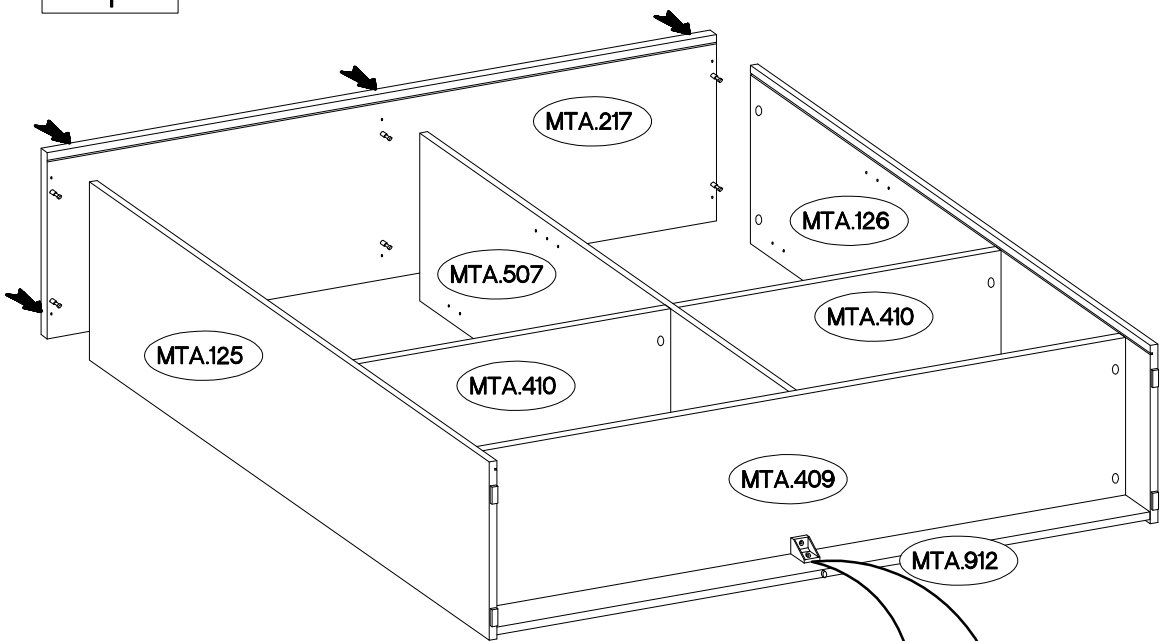
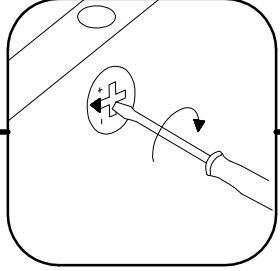
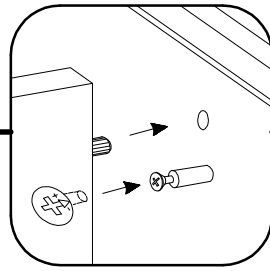
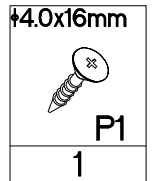
6




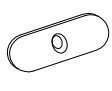
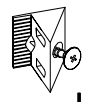
7

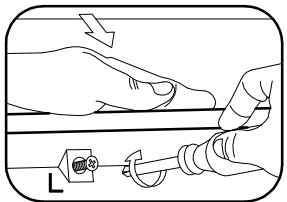
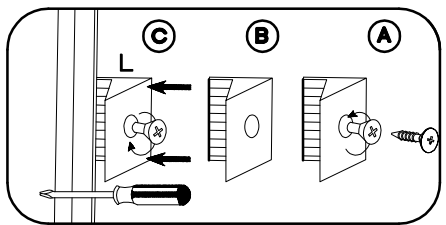
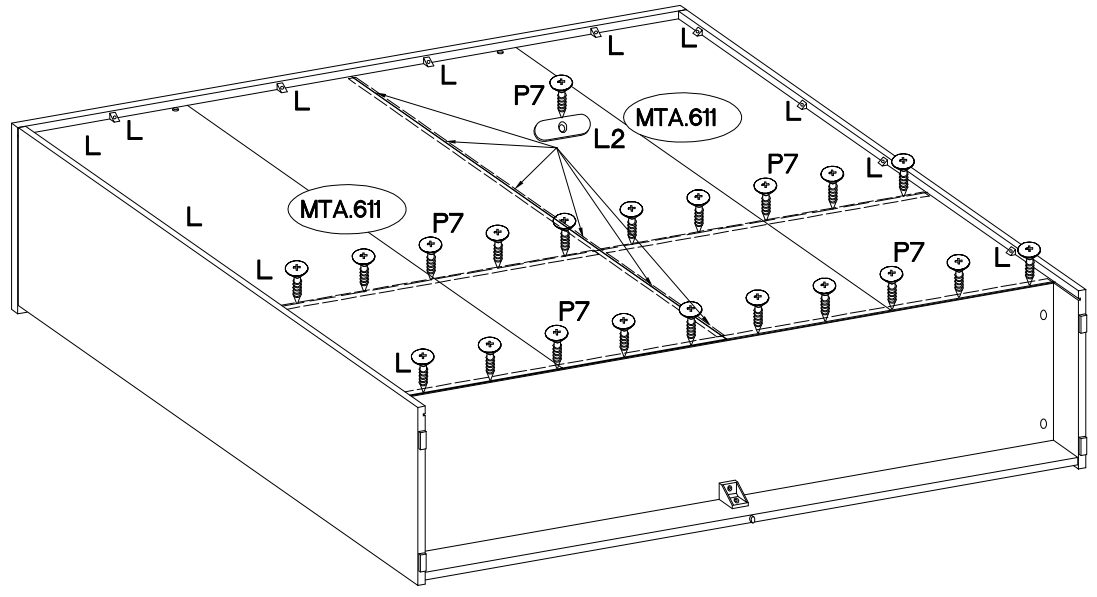
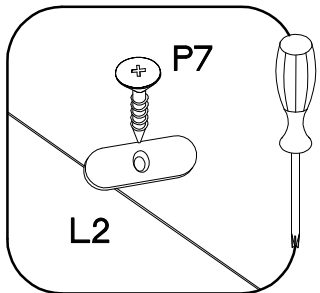
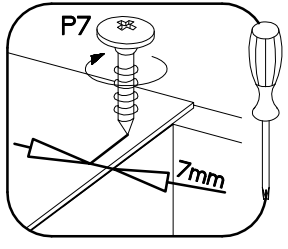
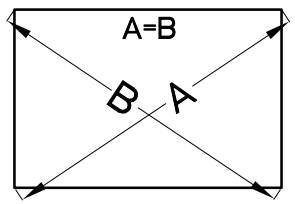
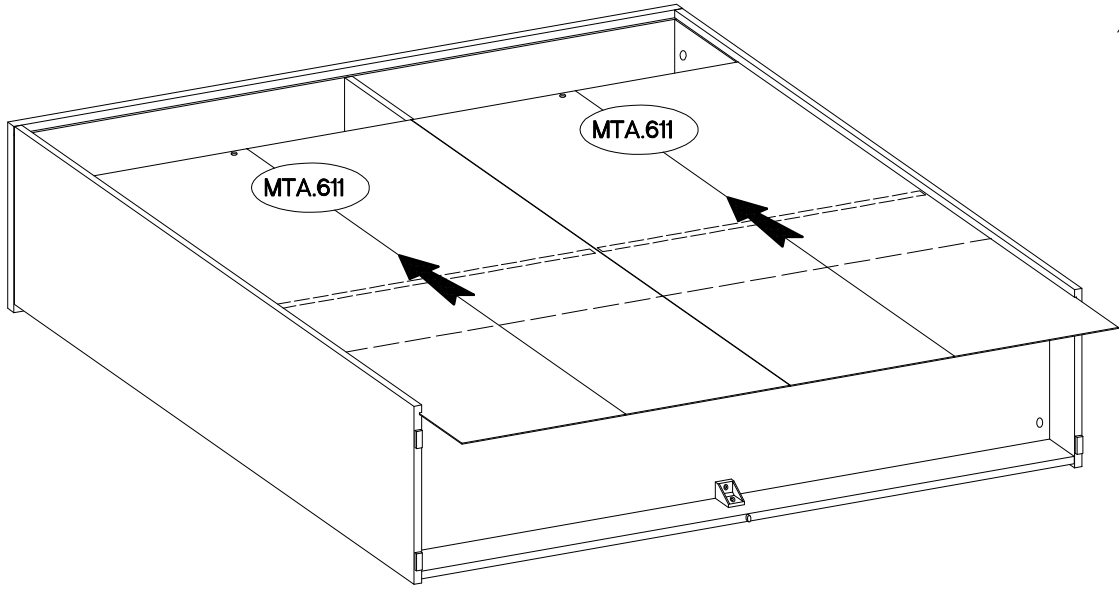
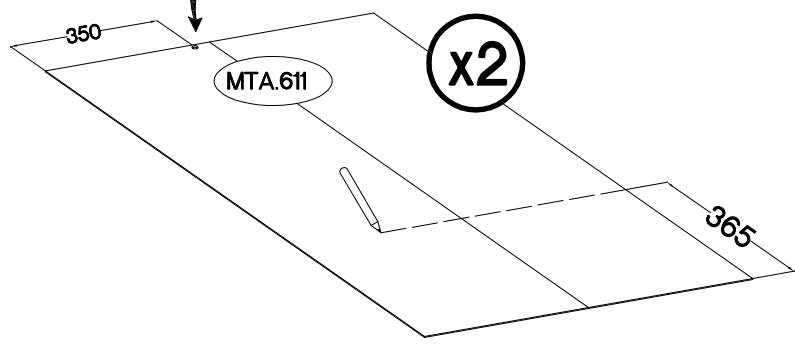
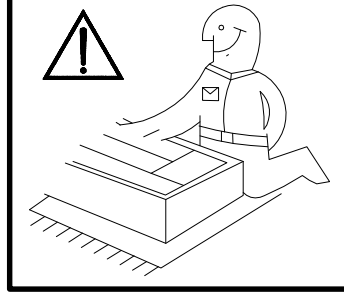
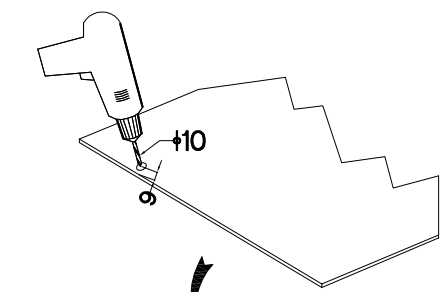


8






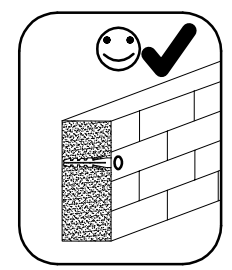
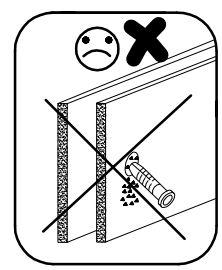
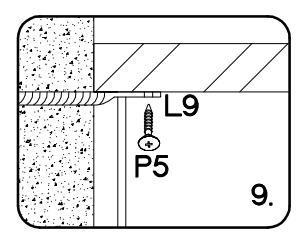
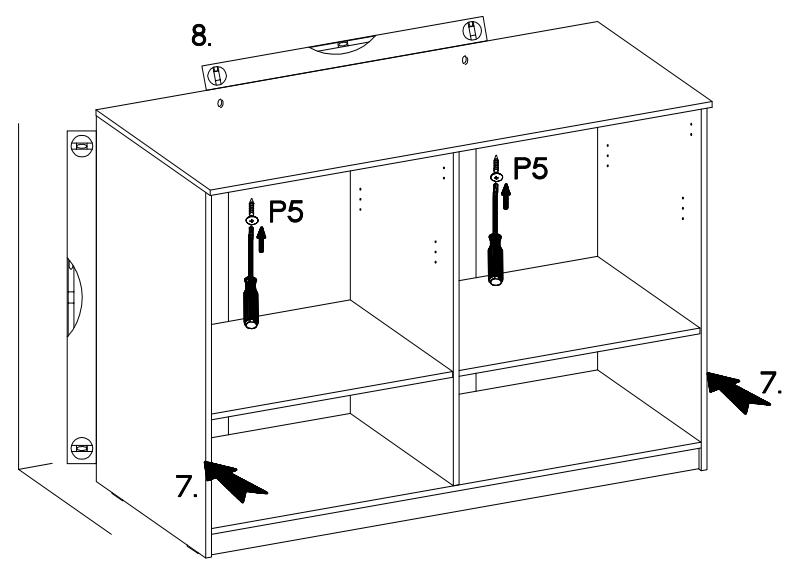
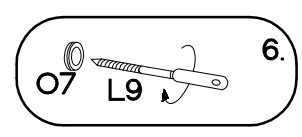
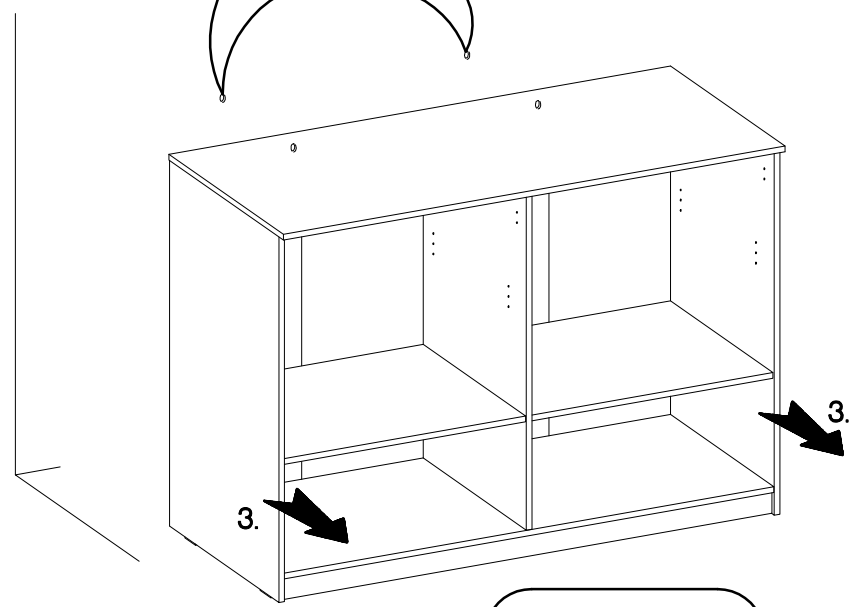
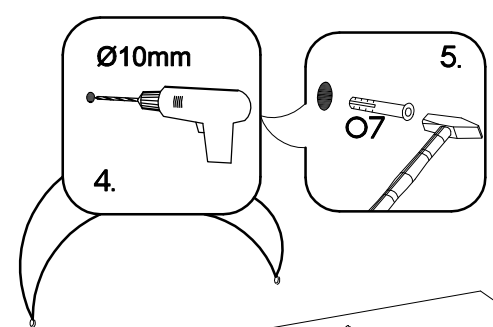
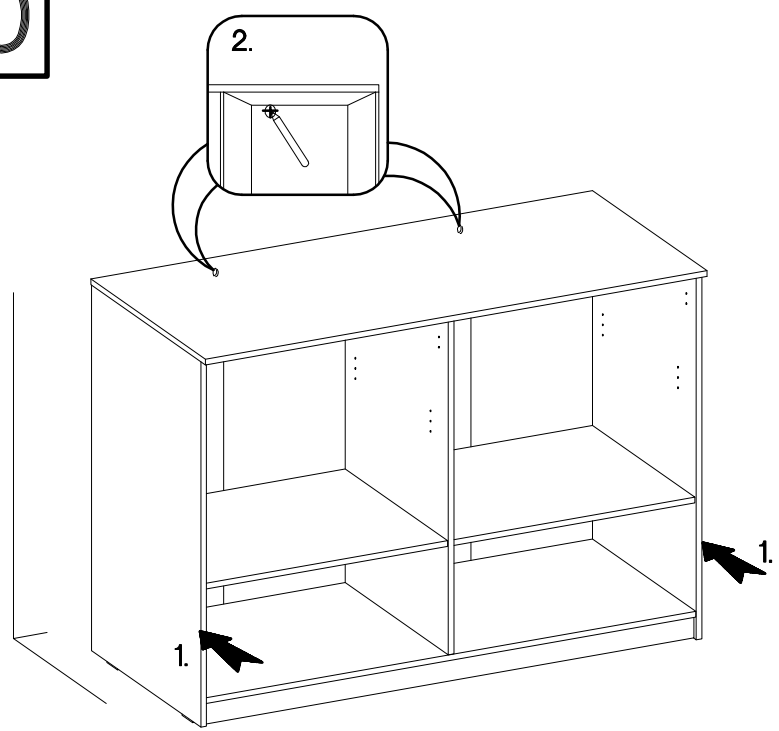
9

±3.0x20mm  P7 26	 L2 6	 L 12
---	---	---


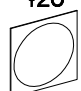


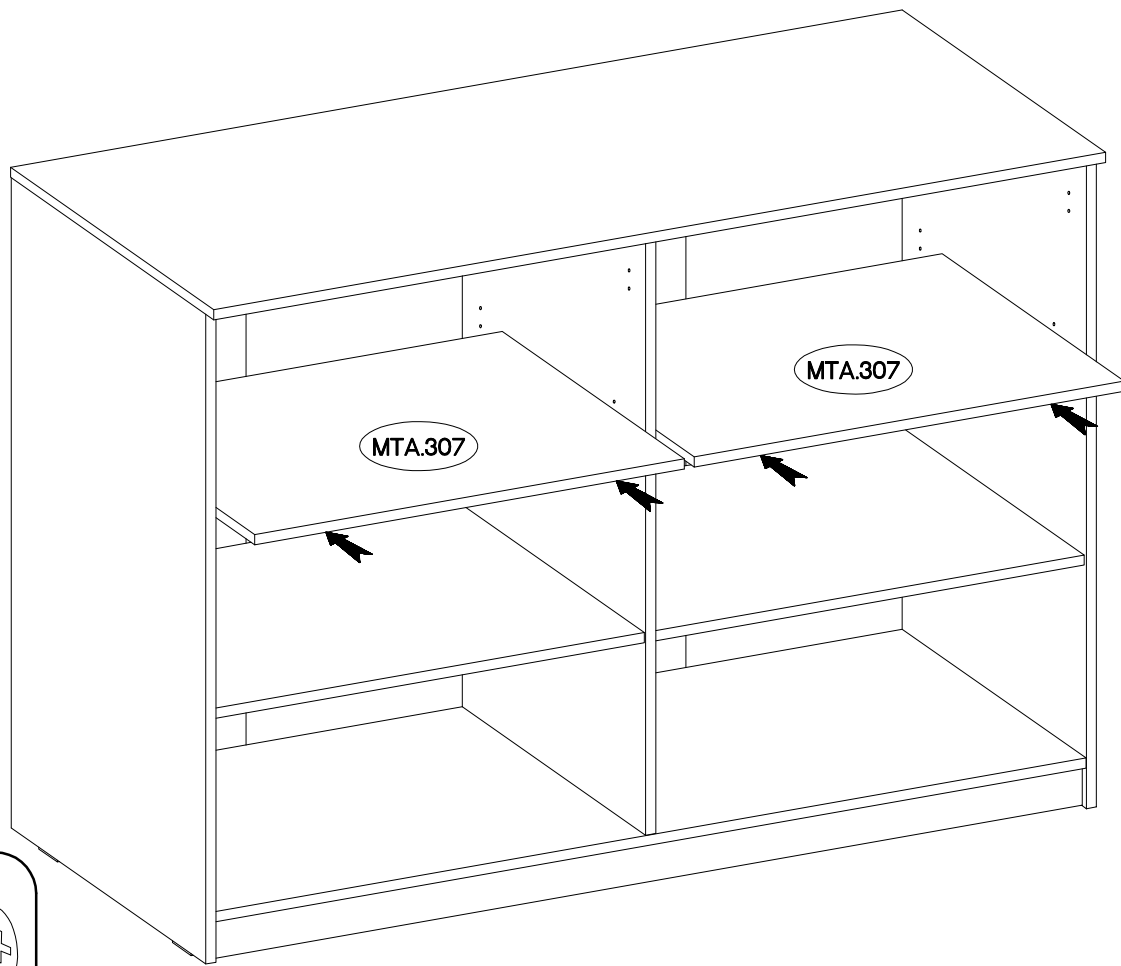
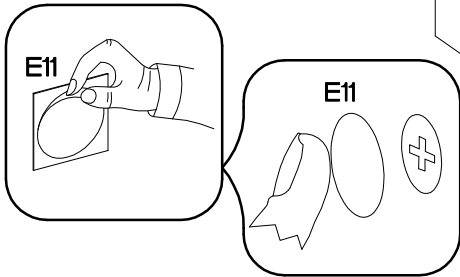
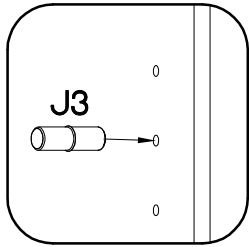


 +10x50mm O7 2	 +3.5x13mm L9 2	 +3.5x13mm P5 2
---	--	--



11

$\pm 5/16\text{mm}$  J3 8	$\pm 20$  E11 8
--	--



12 OPTION

