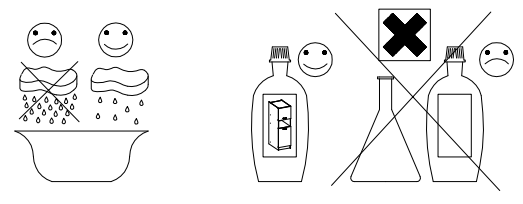
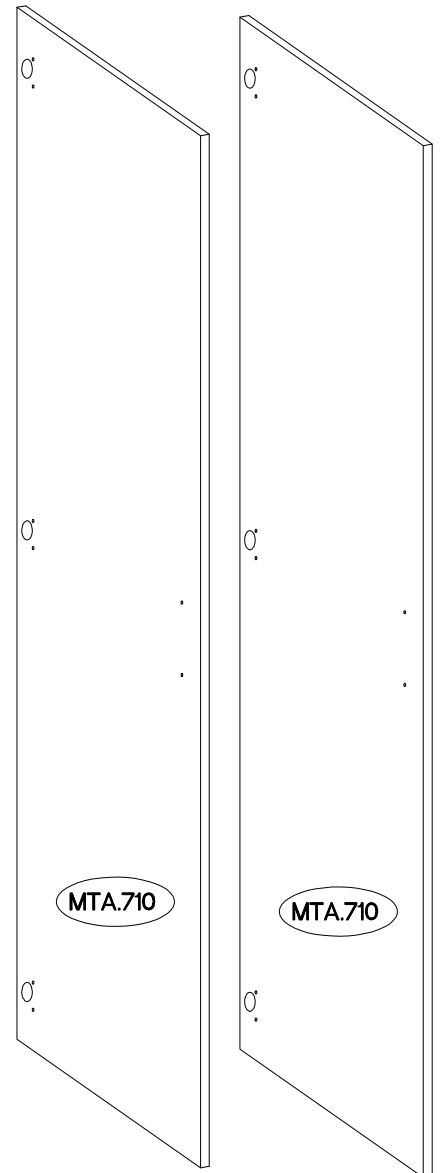
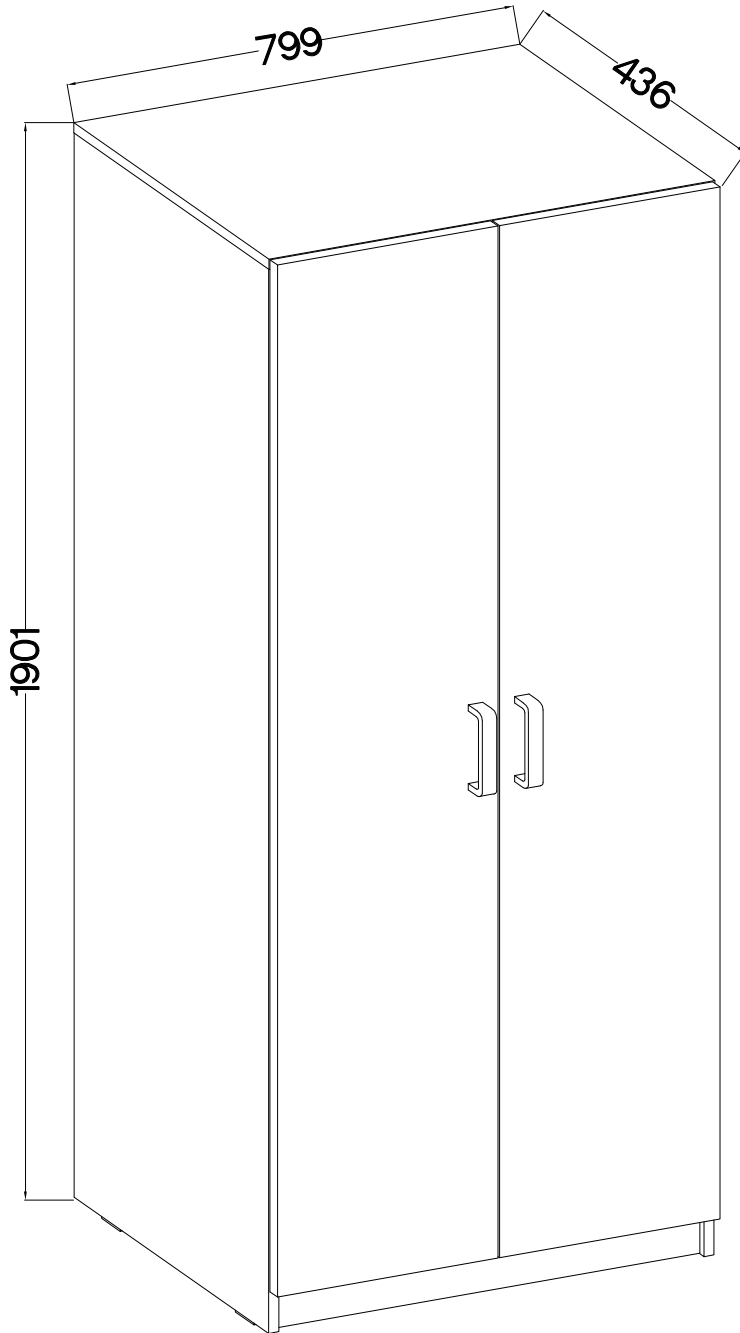


MALTA  
front



TYP 111





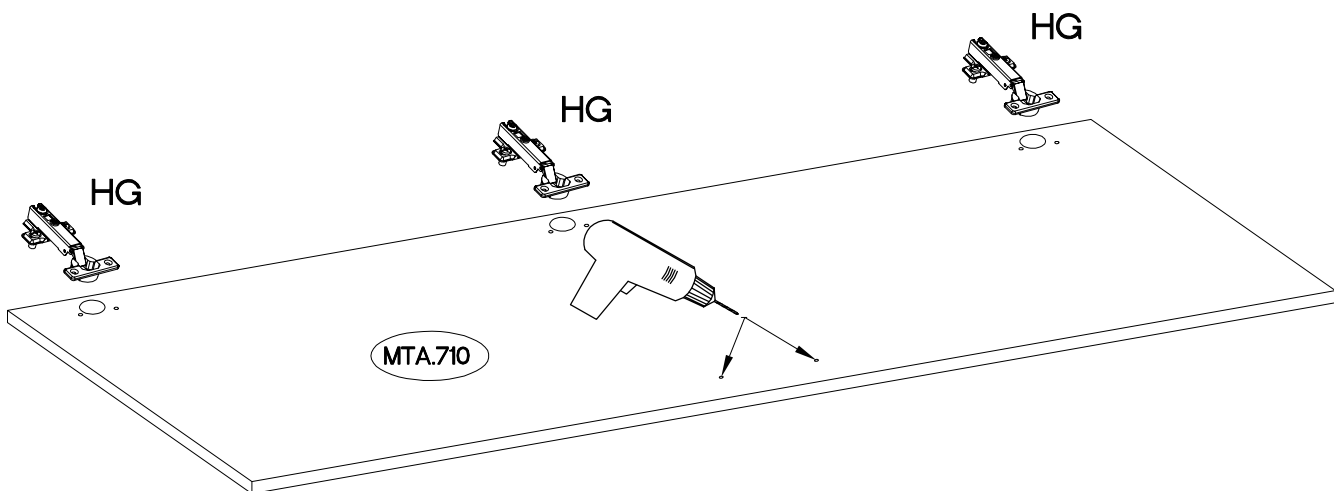
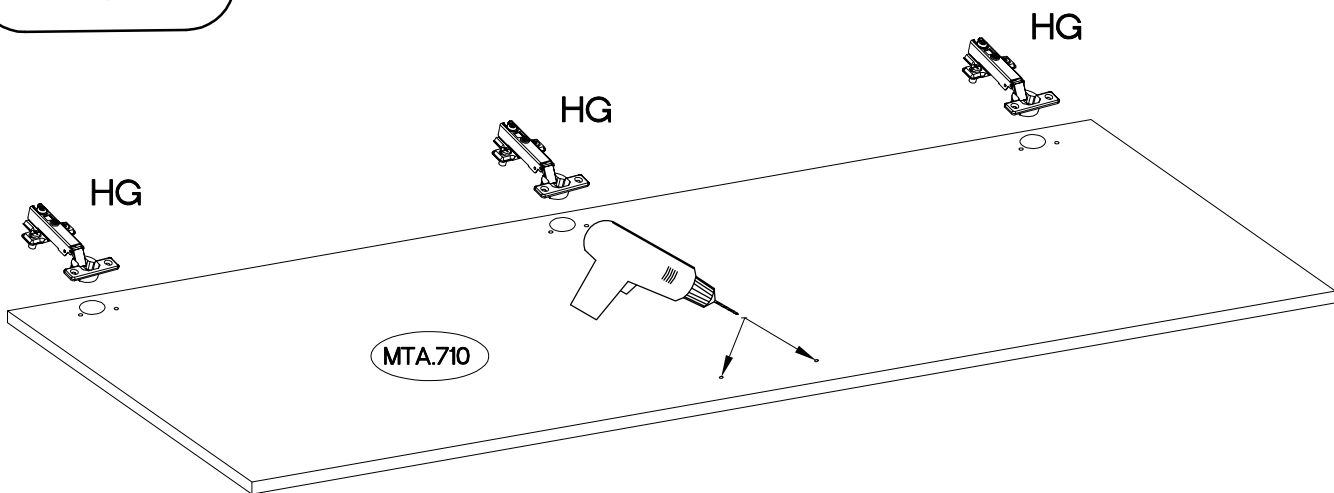
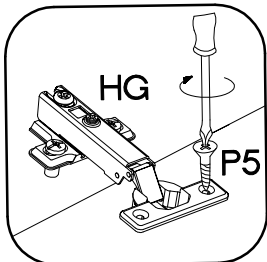
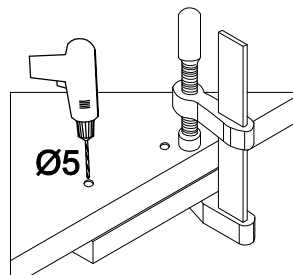
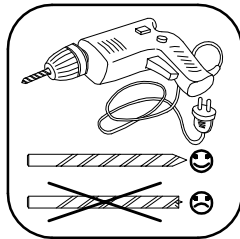
 [CD] HG	 P5	 S	 U
†35/0mm	†3.5x13mm	L=128mm	M4x22mm
6	12	2	4

Ersatzteil Nummer	Dimension
MTA.710 X2	1821x395x16

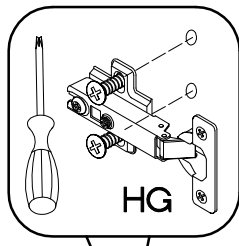
ISM-MTA-14



1

 HG 6	 P5 12
---	--



2



L=128mm	M4x22mm
	
S	U
2	4

