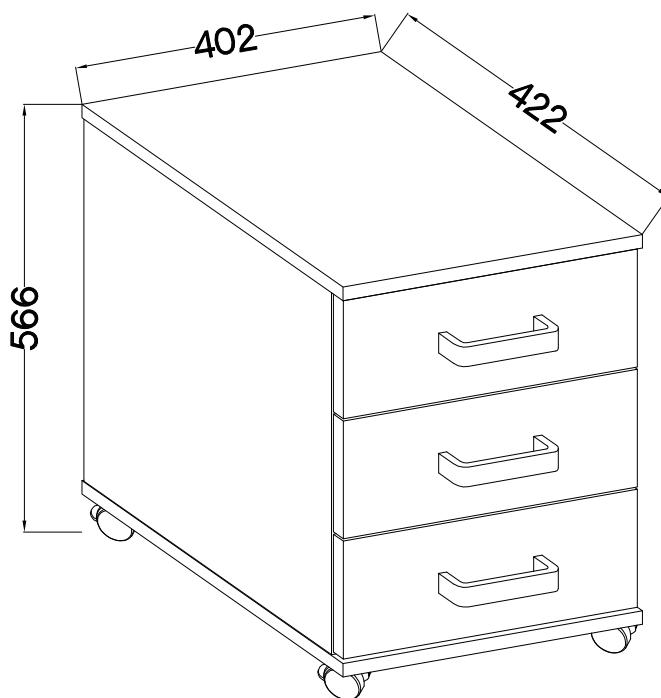
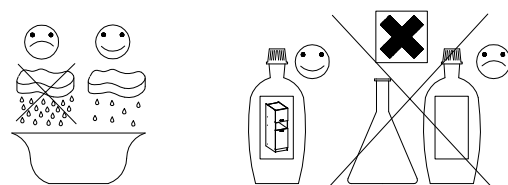
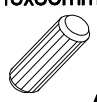


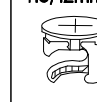

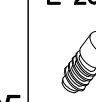
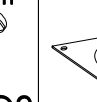
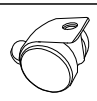
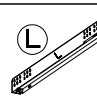
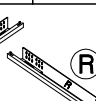
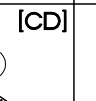
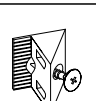
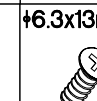
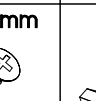
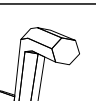

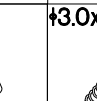
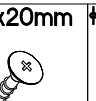


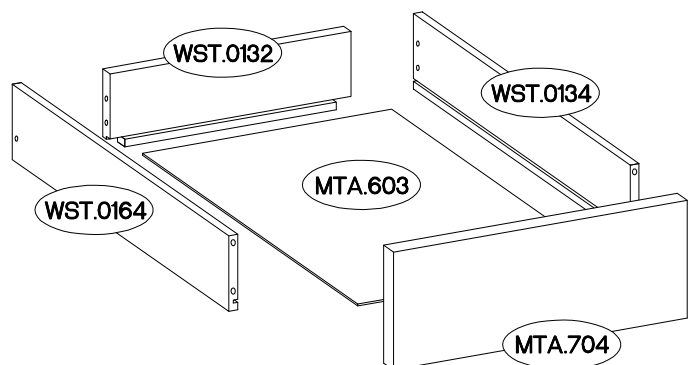
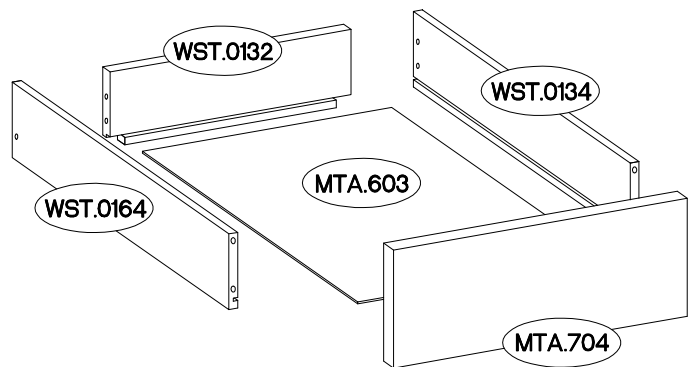
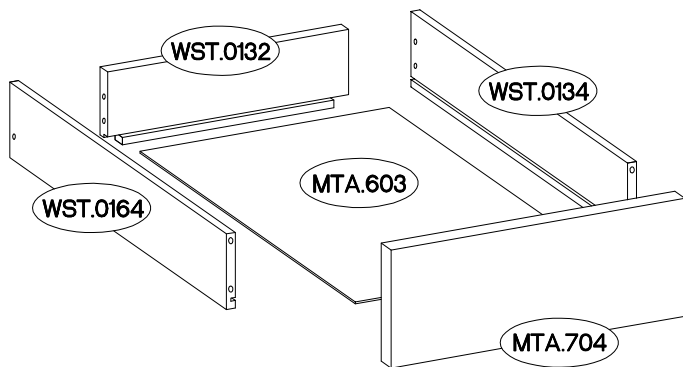
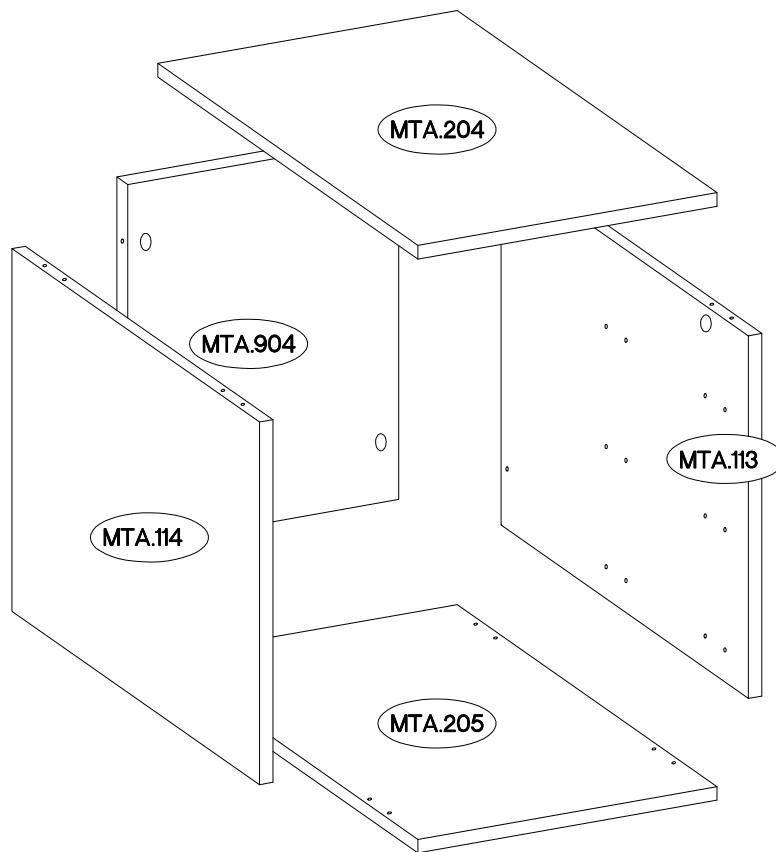
90 min

MALTA
TYP 201



 +8x30mm A 20	 6,4 x 50mm B 4	 +6x42mm B2 6	 +15/12mm C 8	 +12/10mm C5 6	 L=20mm D2 14	 F19 4									
 F20 4	 L 3	 R 3	 L 6	 +6.3x13mm M2 24	 O 1	 O1 1	 +3.0x20mm P7 6	 +4.0x16mm R11 16	 L=128mm S 3	 M4x22mm U 6					


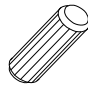

ISM-MTA-09

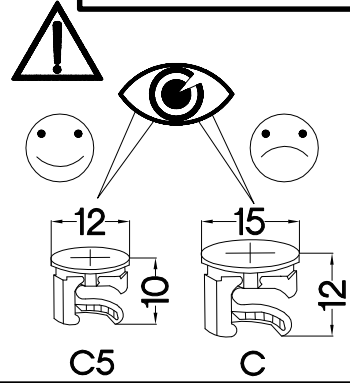
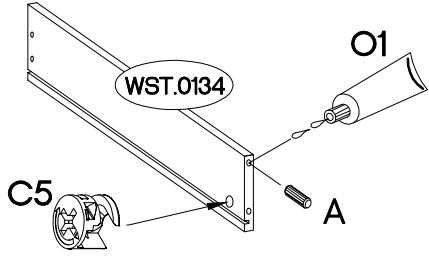
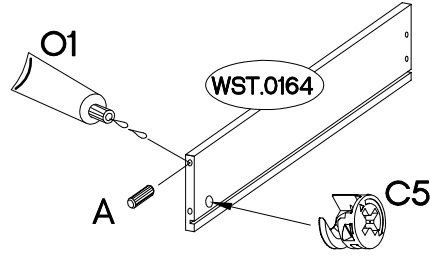
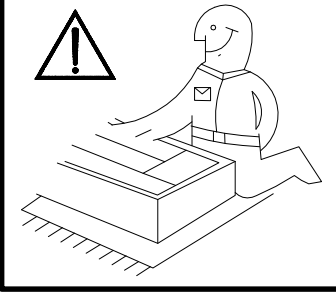
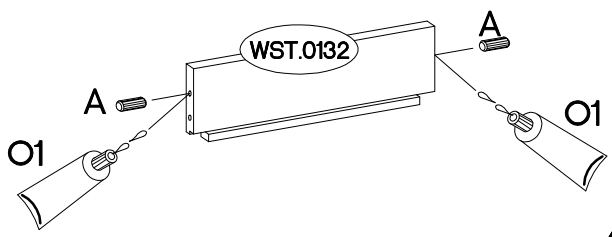


MTA.603

Ersatzteil Nummer	Dimension
MTA.113	480x400x18
MTA.114	480x400x18
MTA.204	402x422x18
MTA.205	402x422x18
MTA.904	480x364x18
MTA.704 x3	156x395x16
MTA.603 x3	335x348x2,5
WST.0134 x3	350x100x12
WST.0164 x3	350x100x12
WST.0132 x3	324x100x12



1

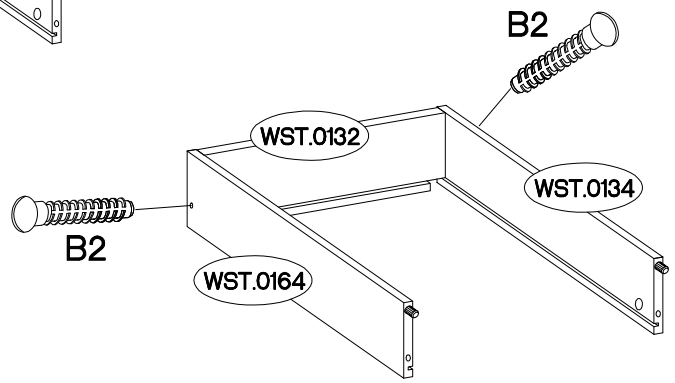
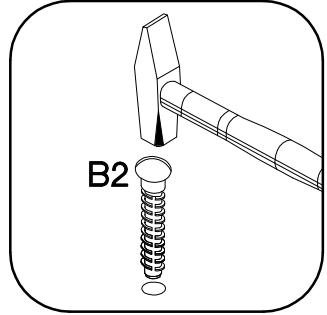
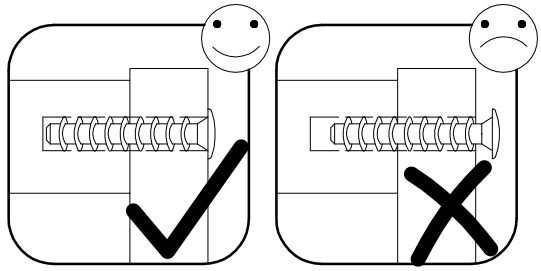
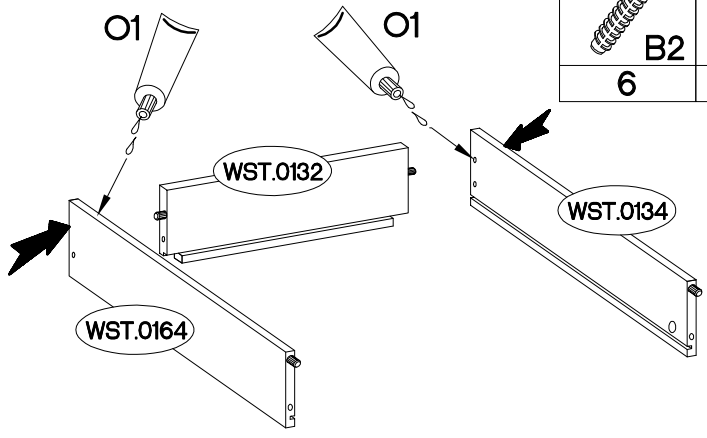
±12/10mm  C5 6	±8x30mm  A 12	 O1 1
---	--	---



x3

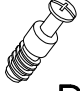
2

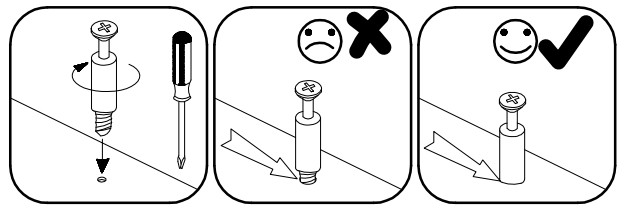
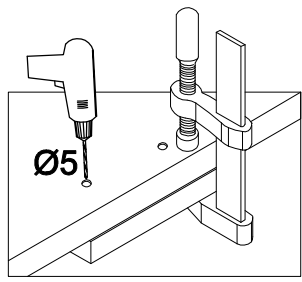
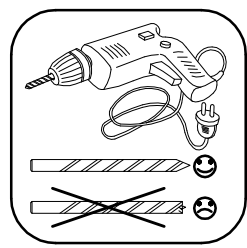
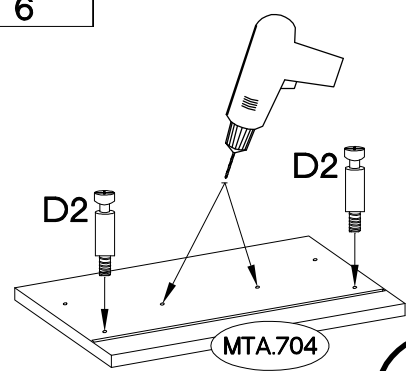
±6x42mm  B2 6	 O1 1
---	--



x3

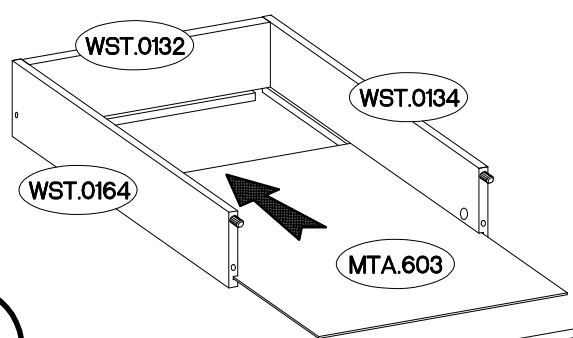
3

L=20mm  D2 6
--

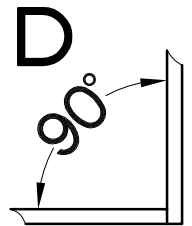
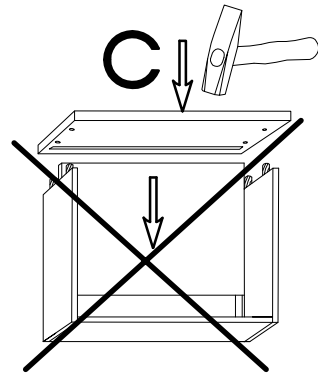
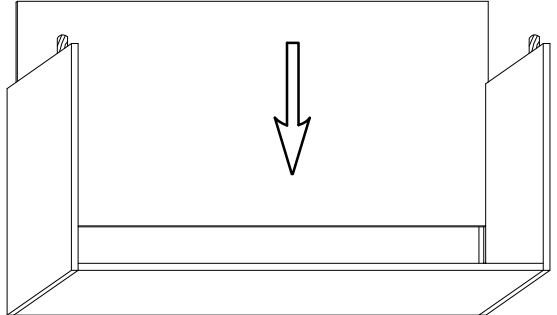
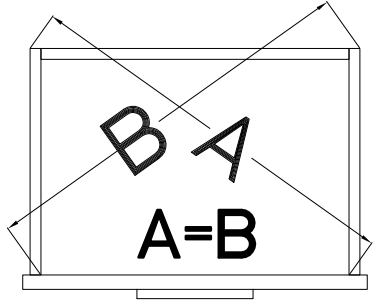
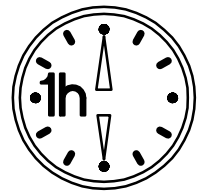
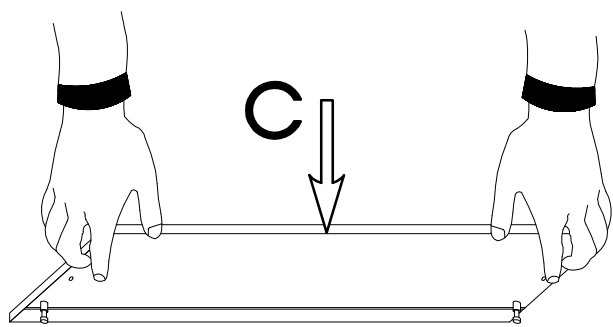
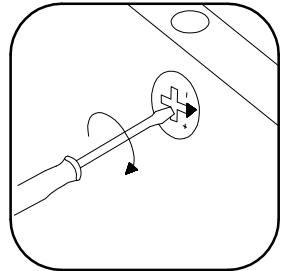
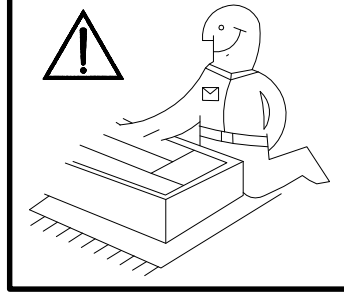
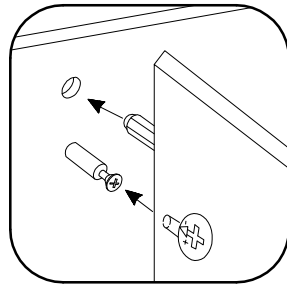
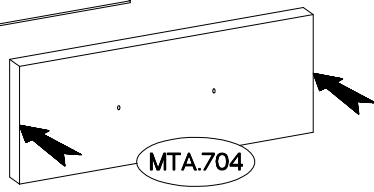


x3

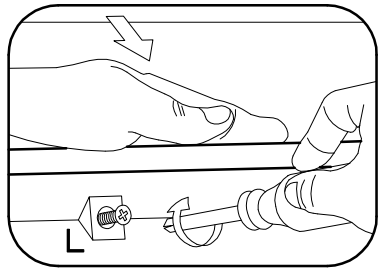
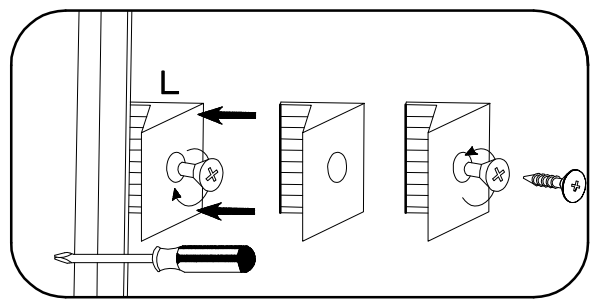
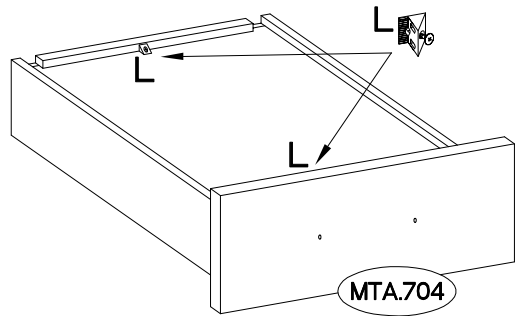
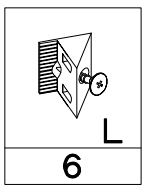
4






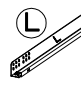
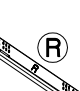

x3

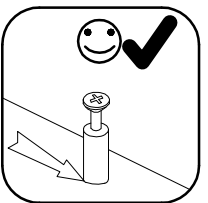
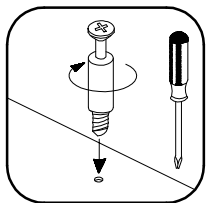
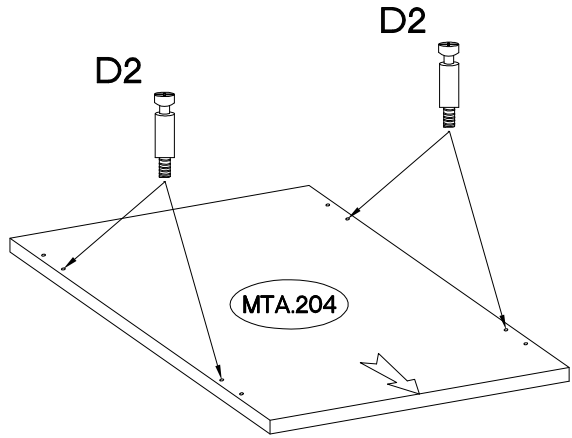
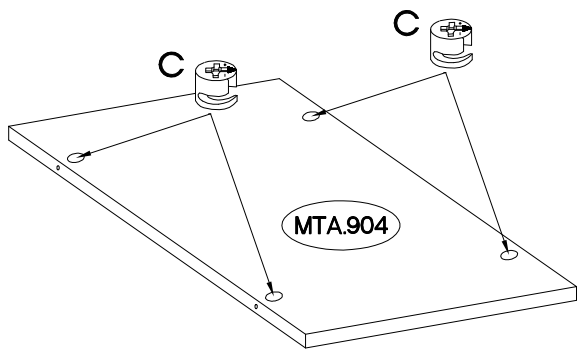
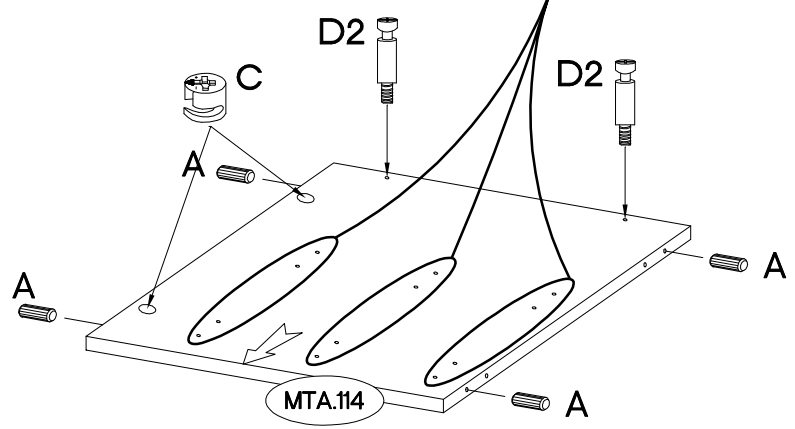
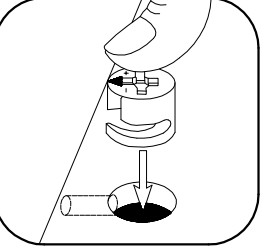
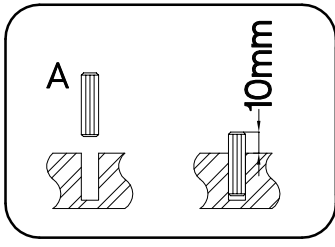
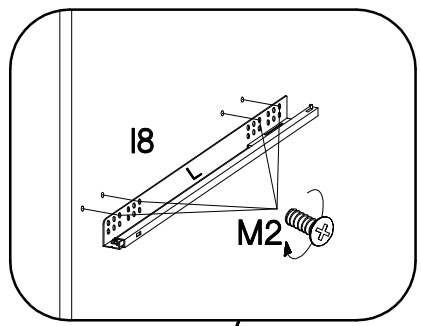
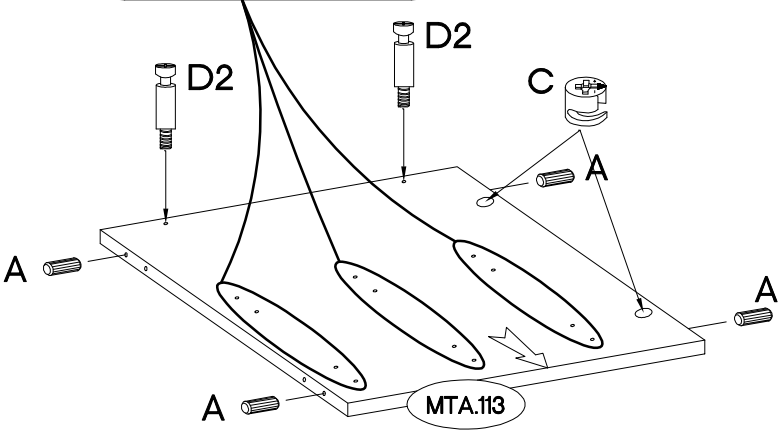
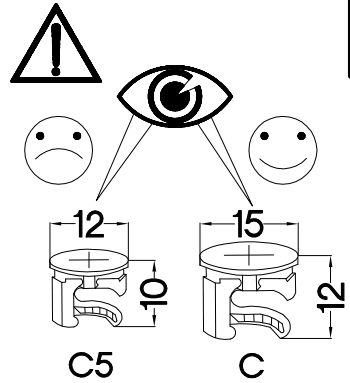
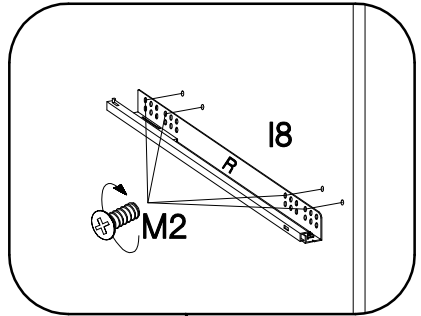
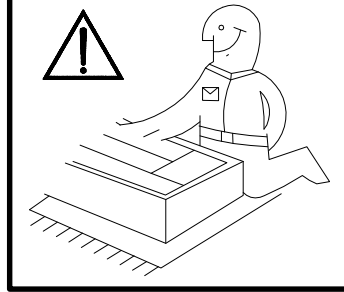


5


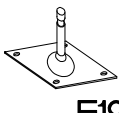



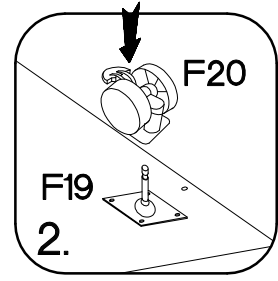
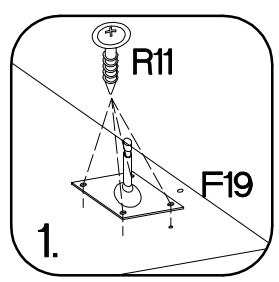
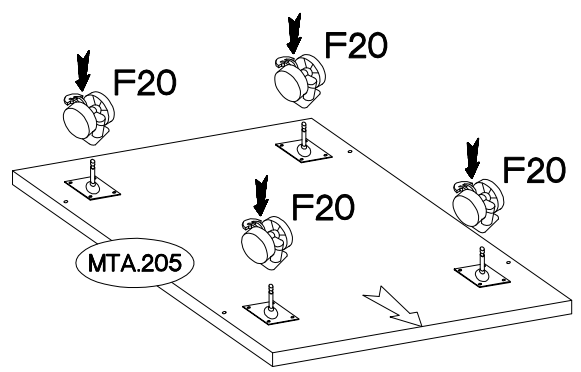
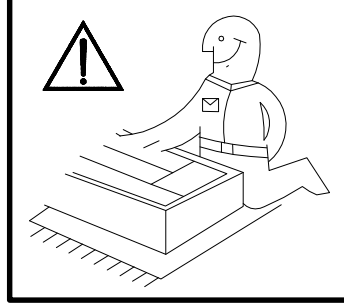
x3

$\varnothing 8 \times 30 \text{mm}$  8	L=20mm  D2 8	$\varnothing 15/12 \text{mm}$  C 8	 L L=350mm 3	[CD]  I8 18	$\varnothing 6.3 \times 13 \text{mm}$  M2 24
--	---	---	--	--	---

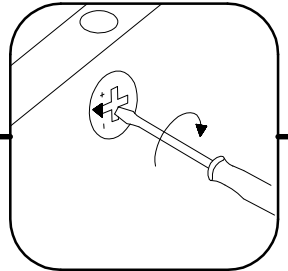
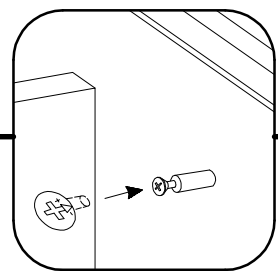
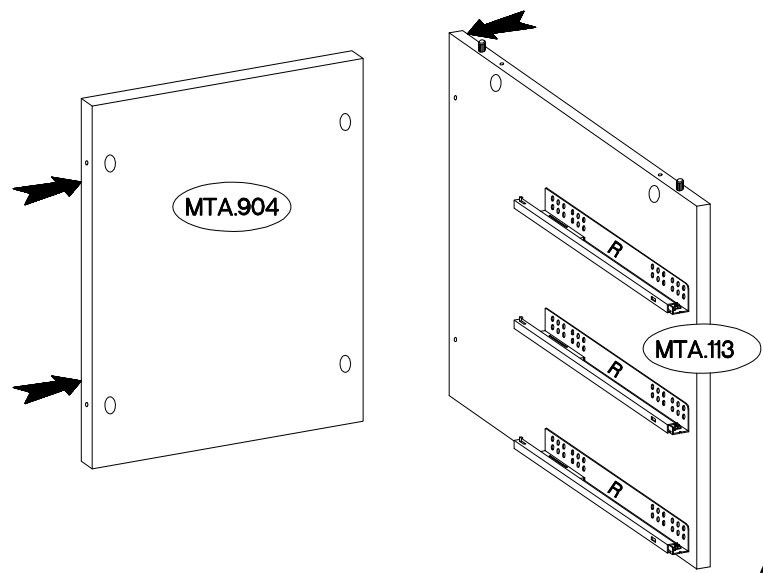


7

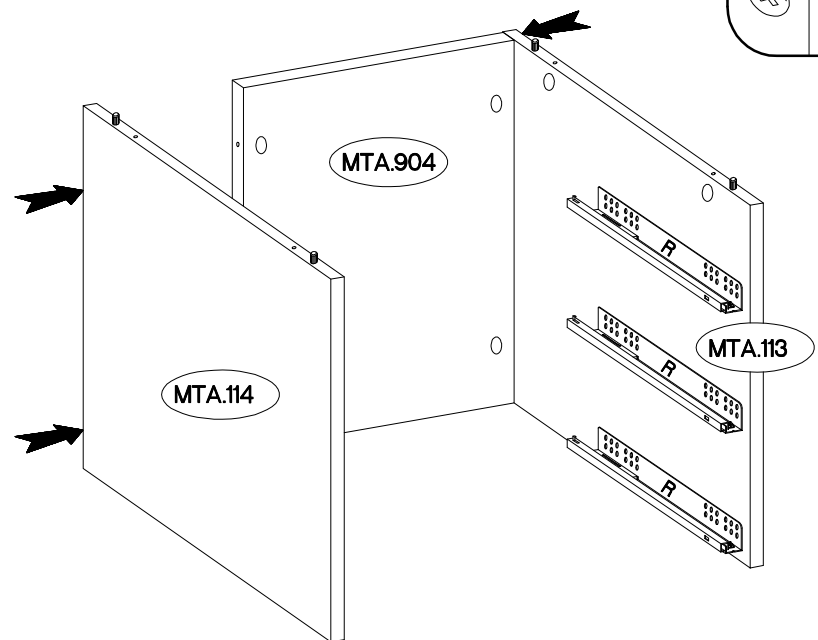
±4.0x16mm			
	R11	F19	F20
	16	4	4



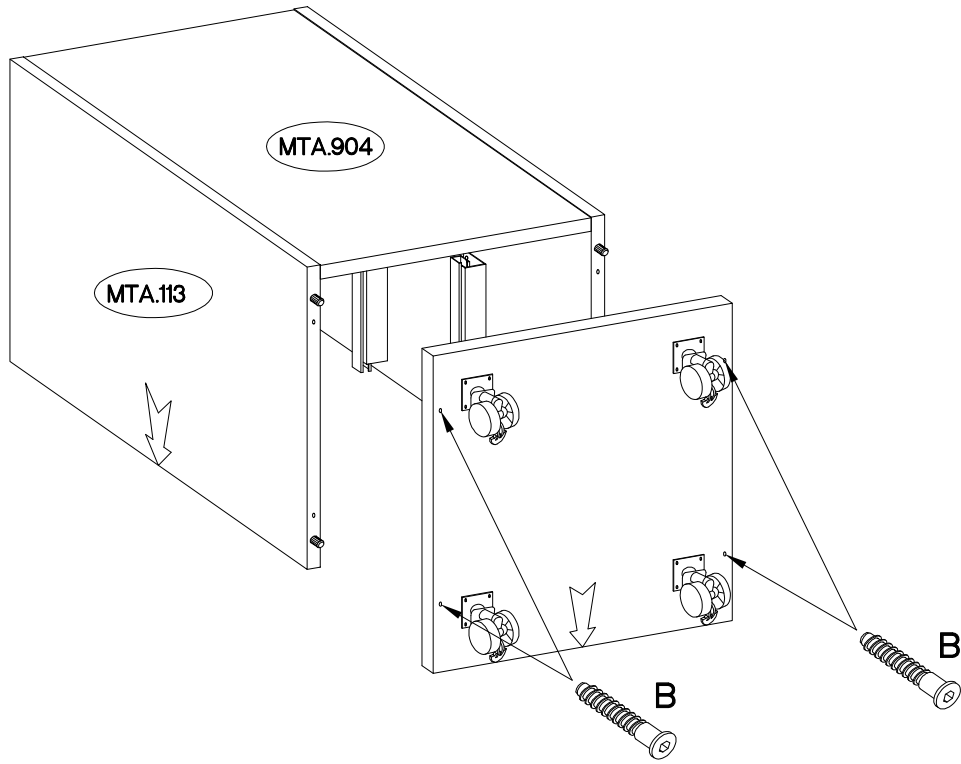
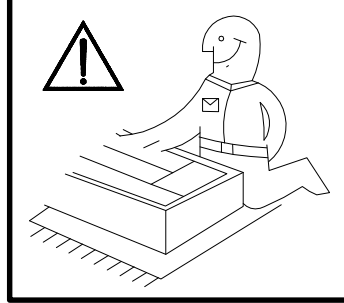
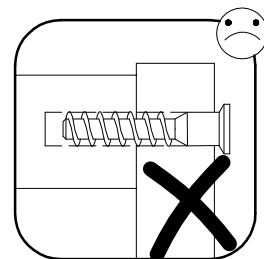
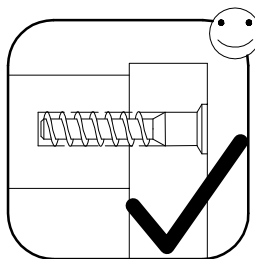
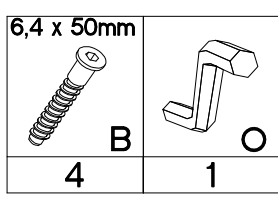
8



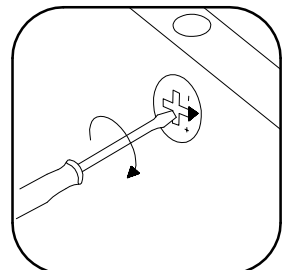
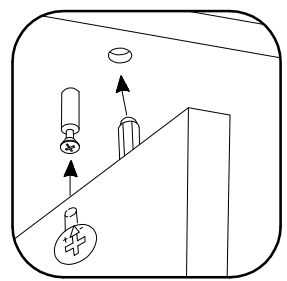
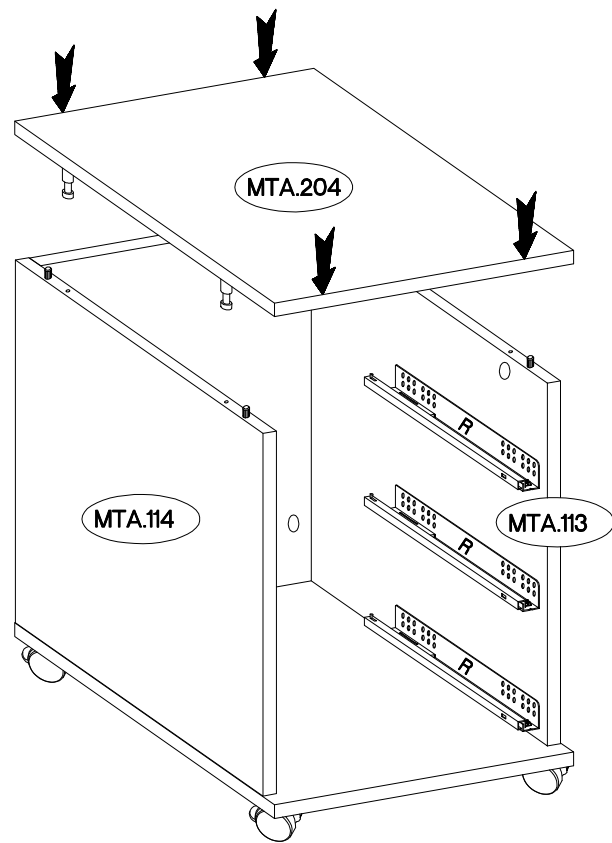
9






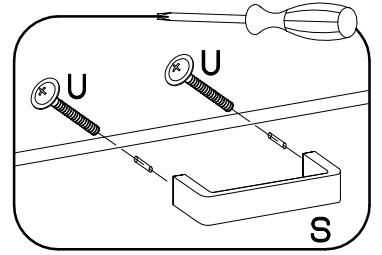
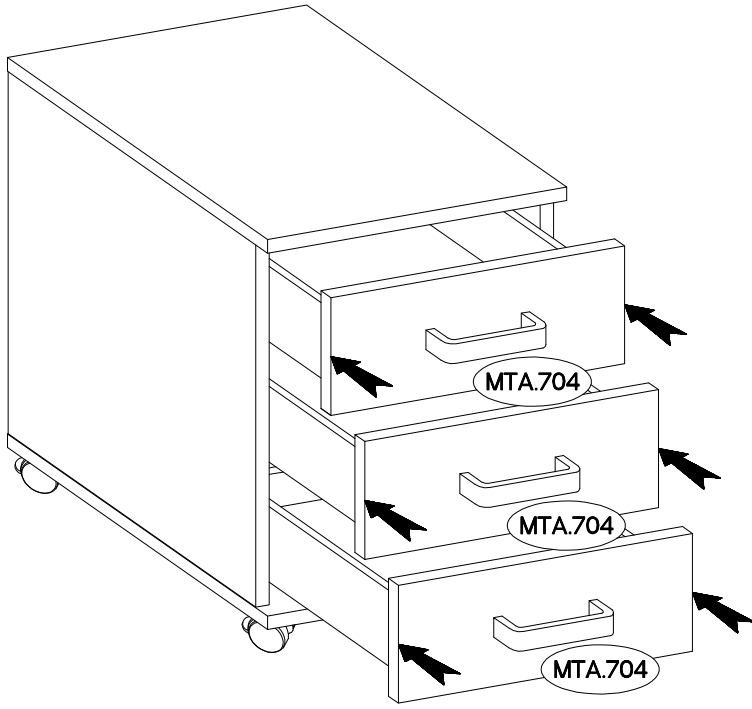
10



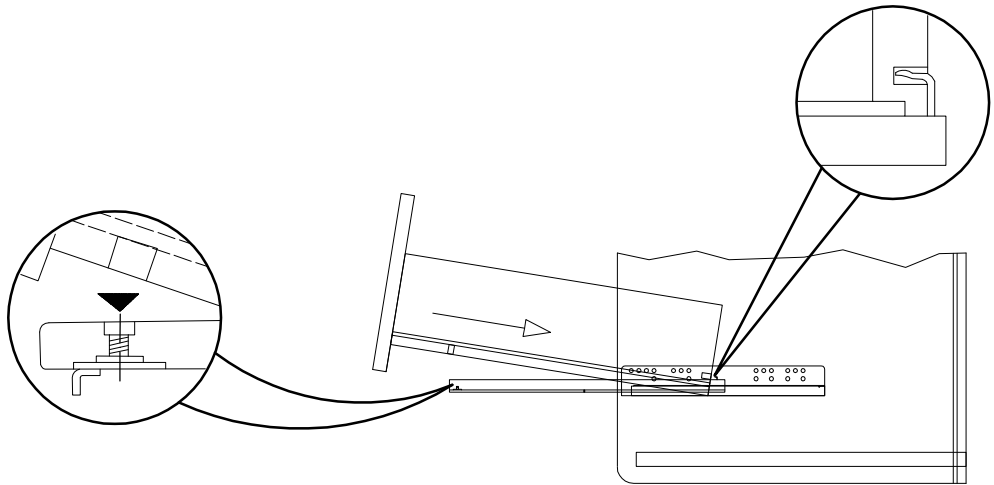
11



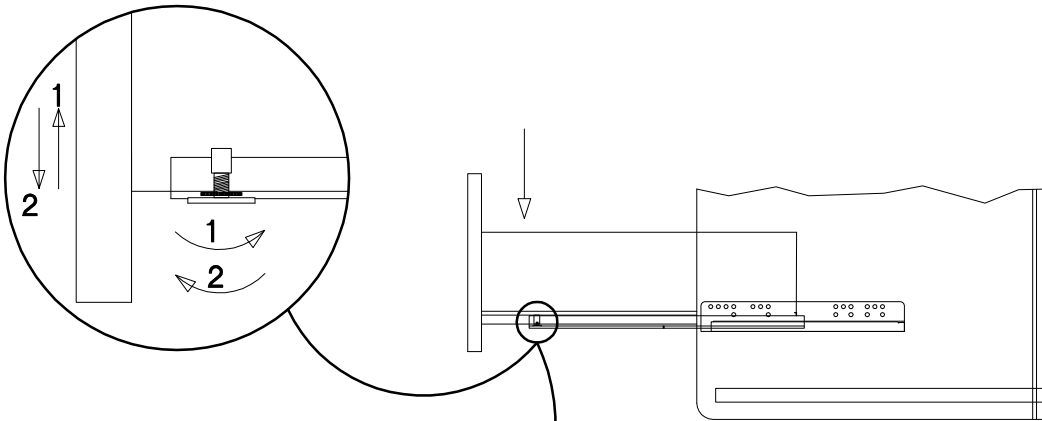
$\pm 3.0 \times 20 \text{mm}$  P7 6	L=128mm  S 3	M4x22mm  U 6
--	---	---



1.



2.



3.

