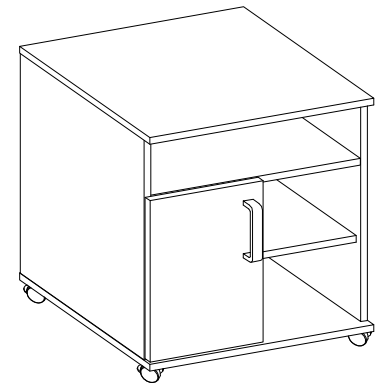
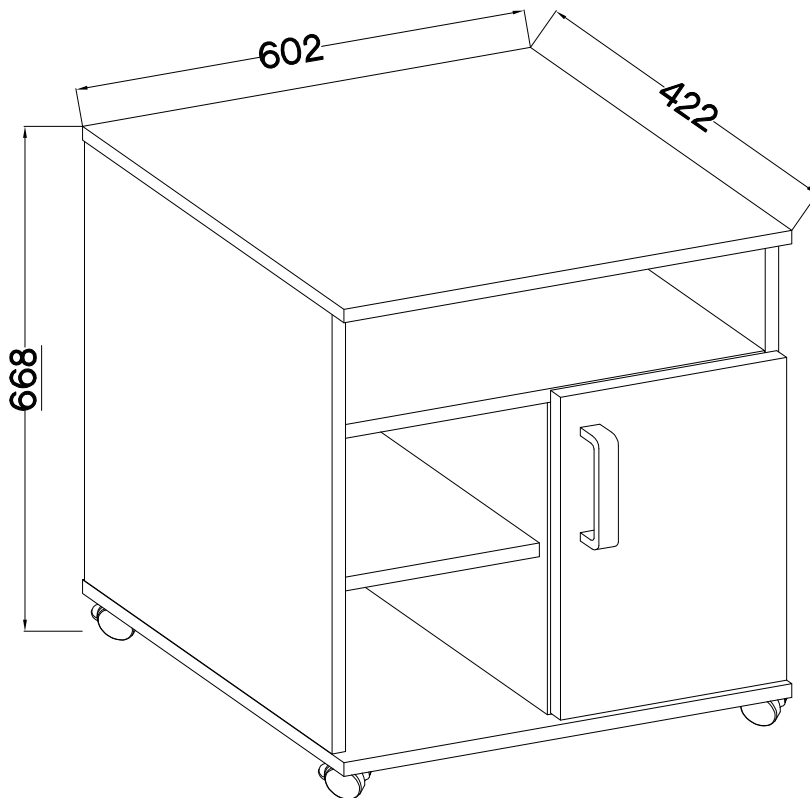
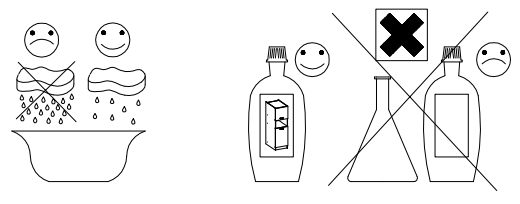
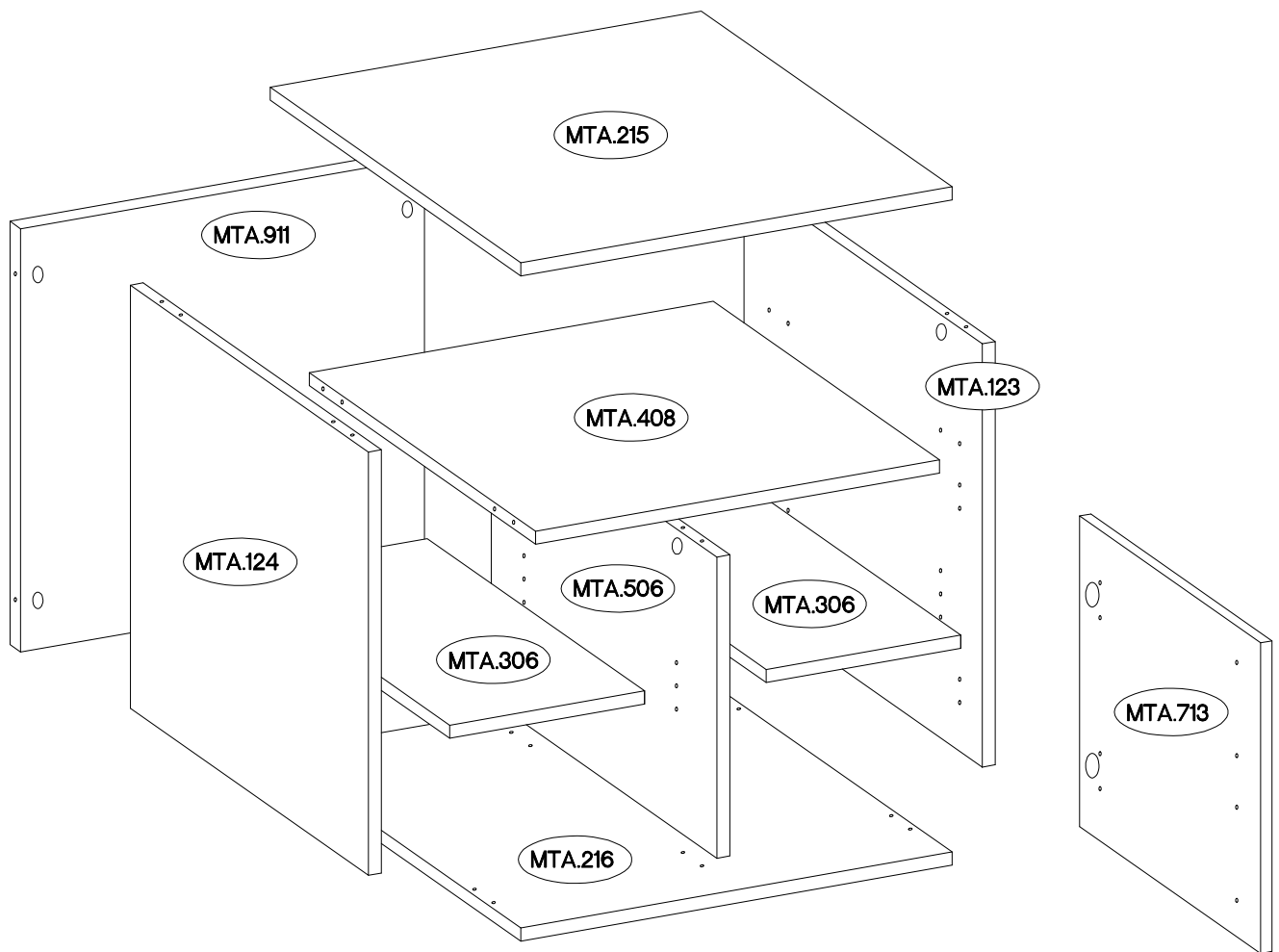


MALTA
TYP 230



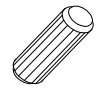


 †8x30mm A 16	 6,4 x 50mm B 6	 †15/12mm C 14	 L=20mm D2 14	 †20 E11 14	 F19 4	 F20 4	 †35/0mm [CD] HG 2	 †5/16mm J3 8	 O 1	 †3.5x13mm P5 4	 †4.0x16mm R11 16	 L=128mm S 1	 M4x22mm U 2
-------------------------------	---------------------------------	--------------------------------	-------------------------------	-----------------------------	---------------------	---------------------	------------------------------------	-------------------------------	-------------------	---------------------------------	-----------------------------------	------------------------------	------------------------------

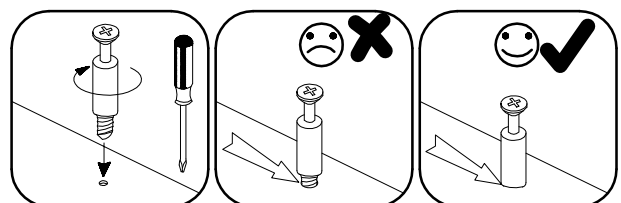
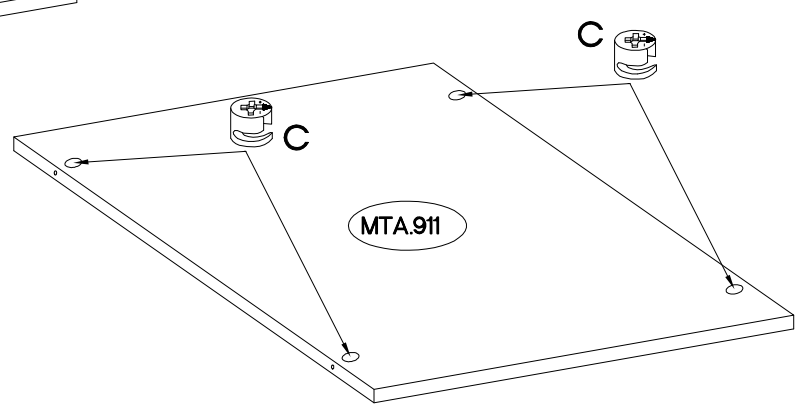
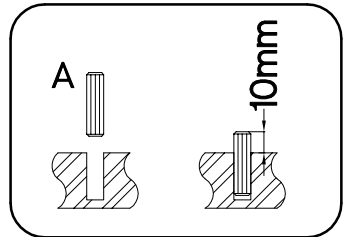
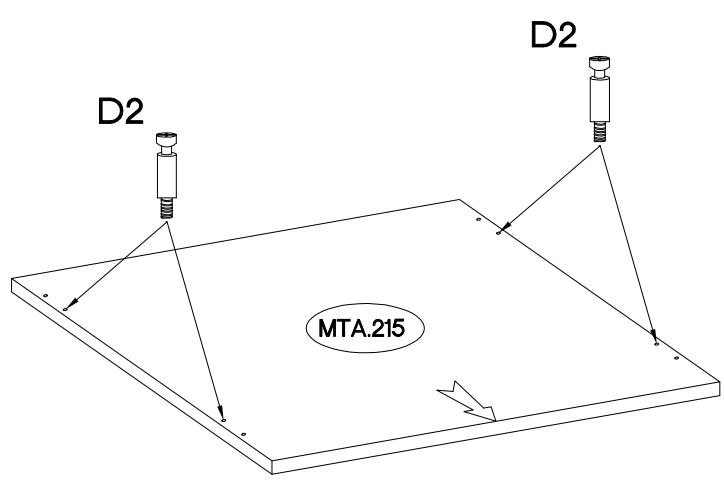
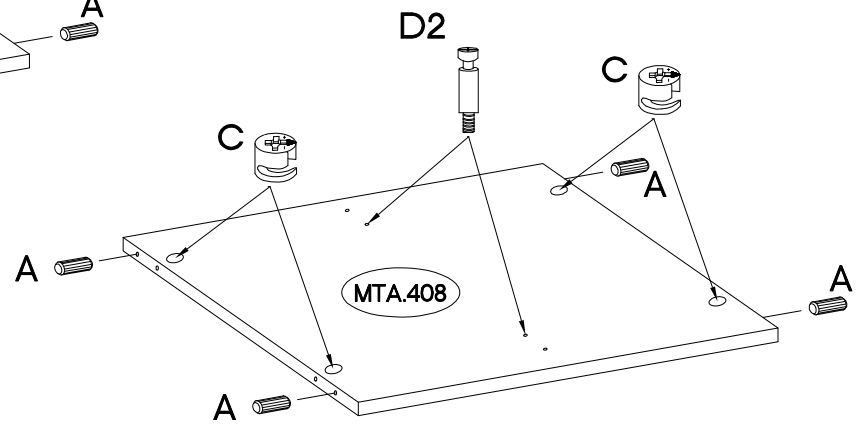
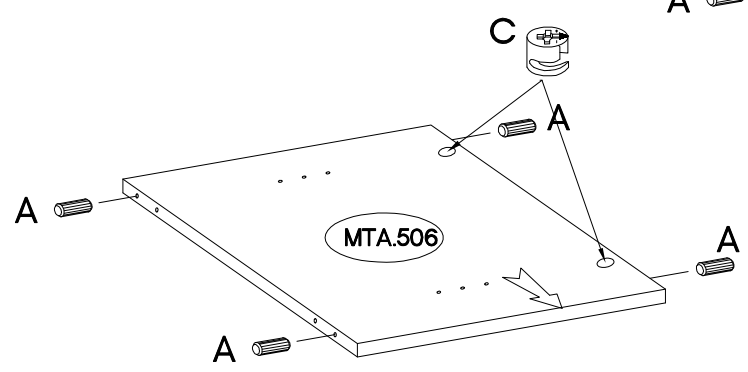
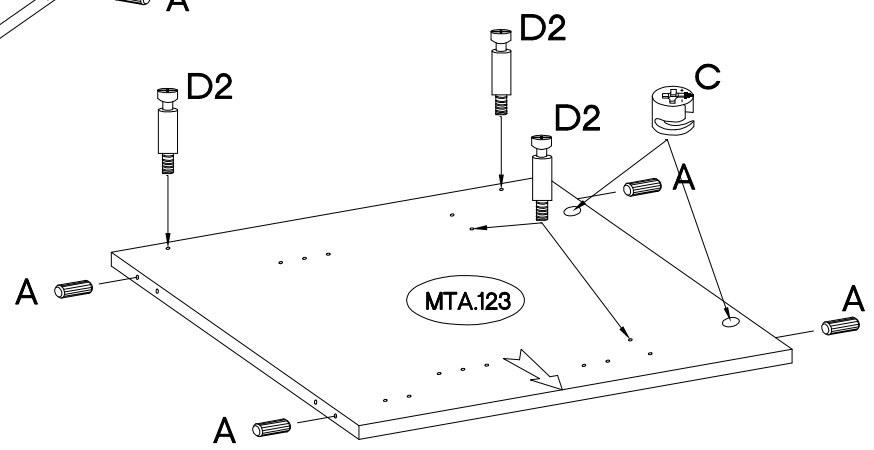
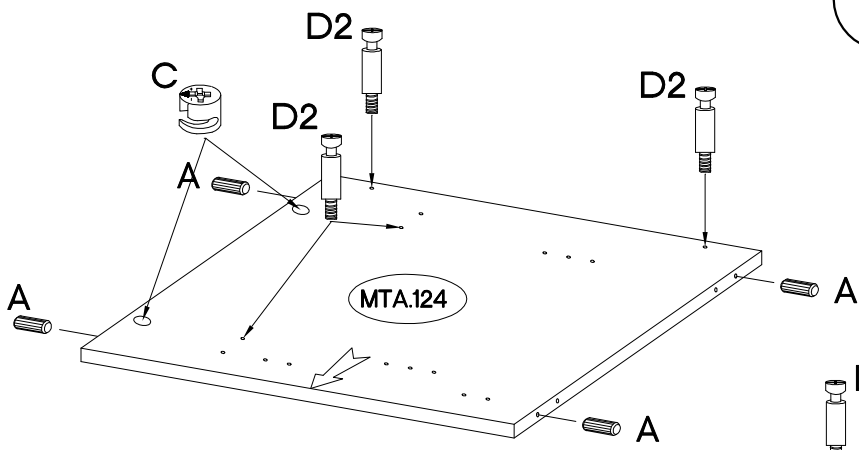
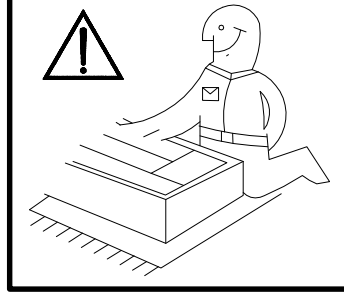
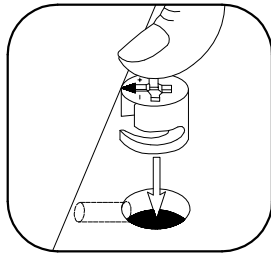
ISM-MTA-22



Ersatzteil Nummer	Dimension
MTA.123	582x400x18
MTA.124	582x400x18
MTA.215	602x422x18
MTA.216	602x422x18
MTA.306 x2	272x365x18
MTA.408	564x379x18
MTA.506	414x378x18
MTA.713	427x304x16
MTA.911	582x564x18

1

$\varnothing 8 \times 30 \text{mm}$  A 16	L=20mm  D2 14	$\varnothing 15/12 \text{mm}$  C 14
--	--	--



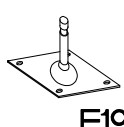
2

±4.0x16mm



R11

16



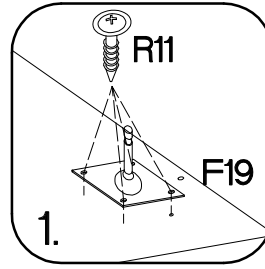
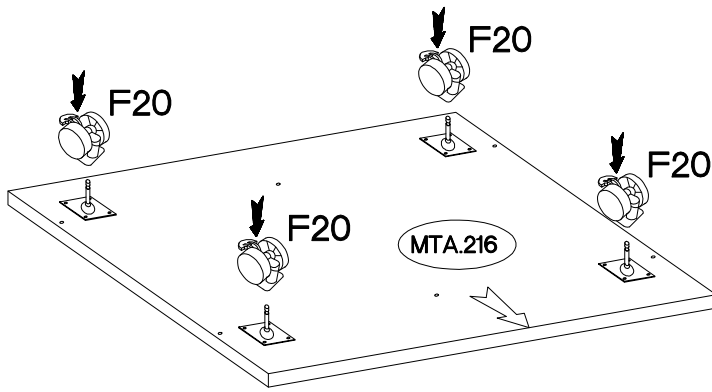
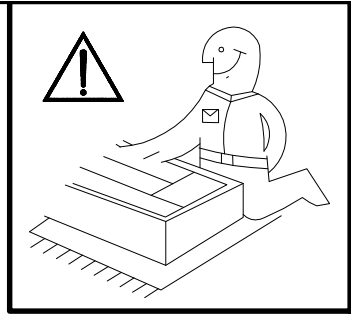
F19

4

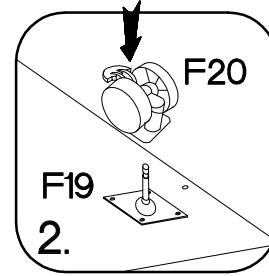


F20

4

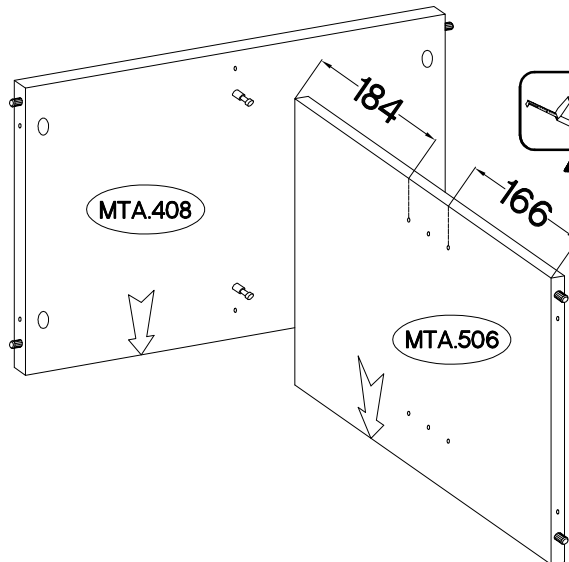
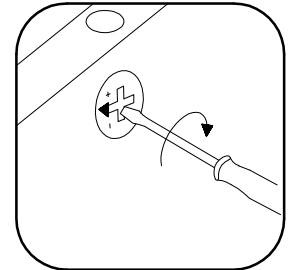
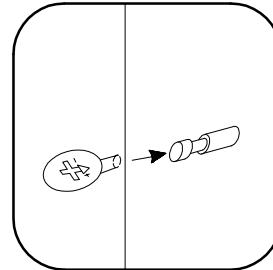


1.



2.

3



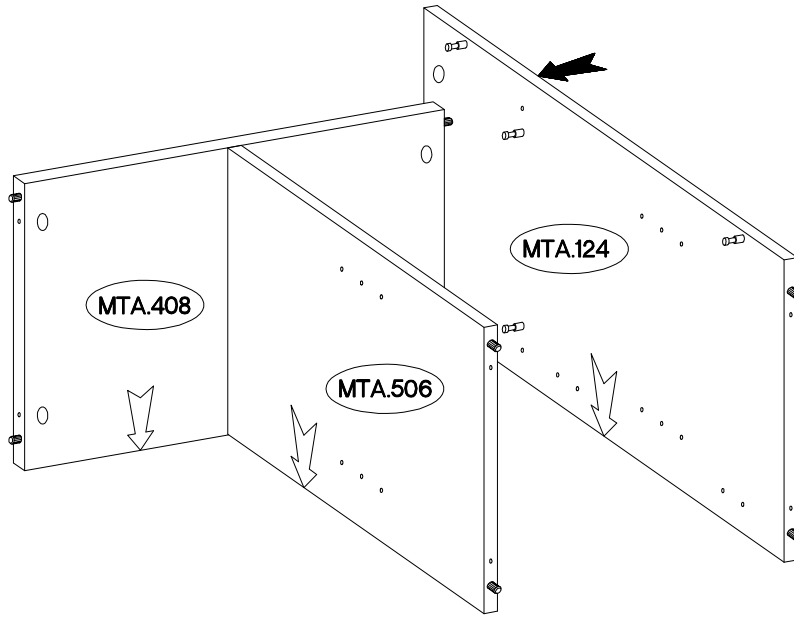
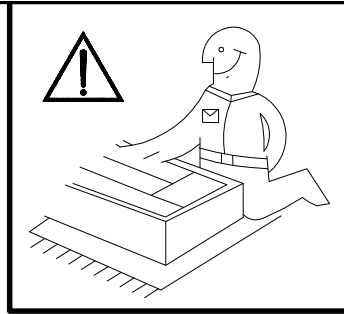
MTA.408

MTA.506

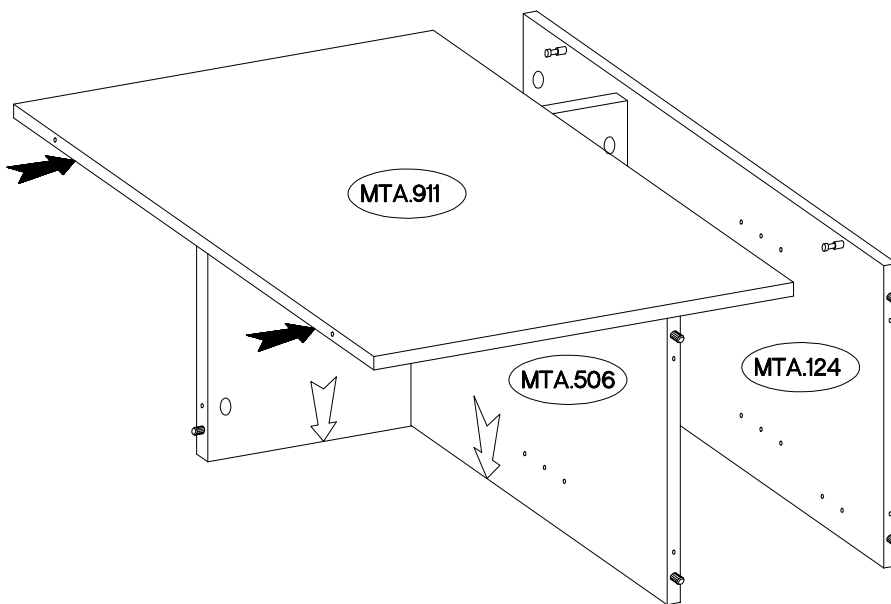
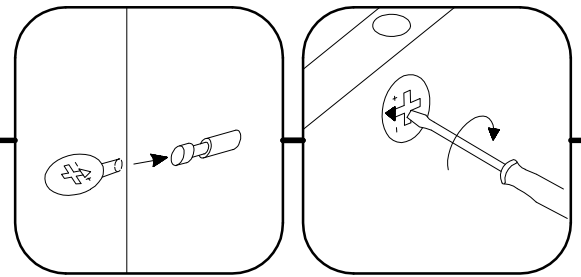
184

166

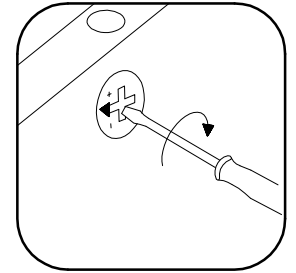
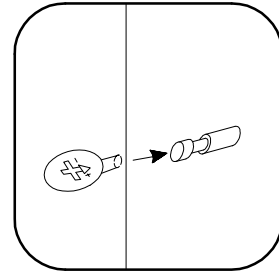
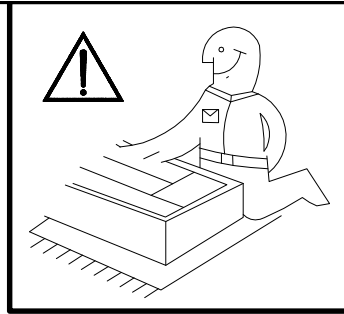
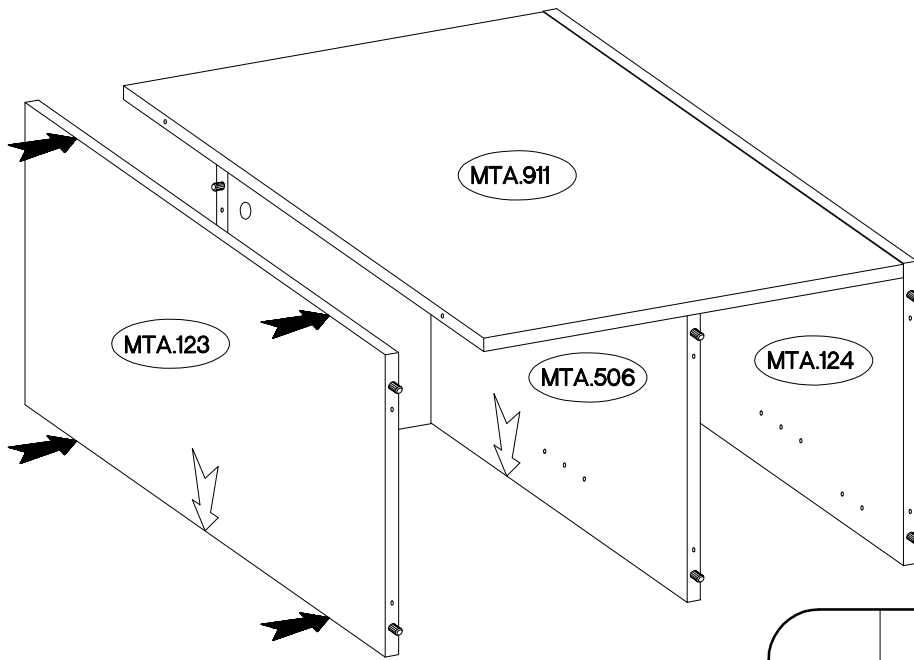
4



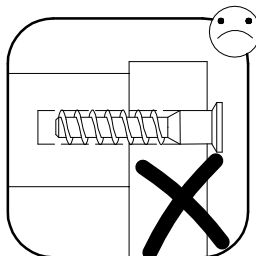
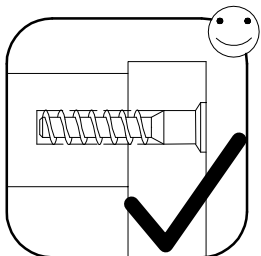
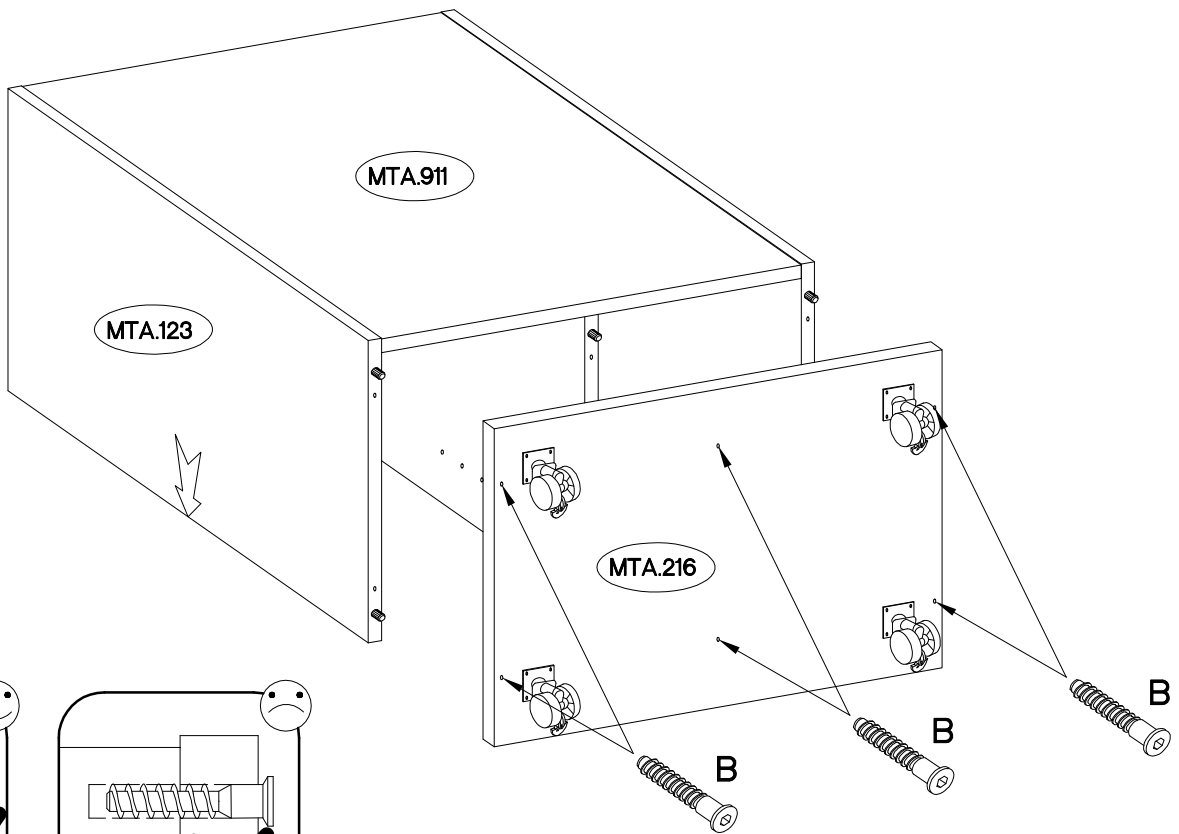
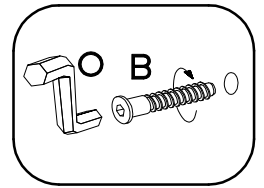
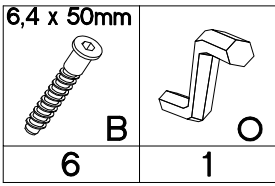
5



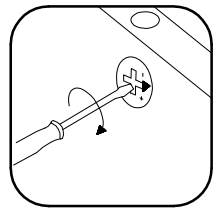
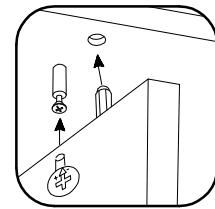
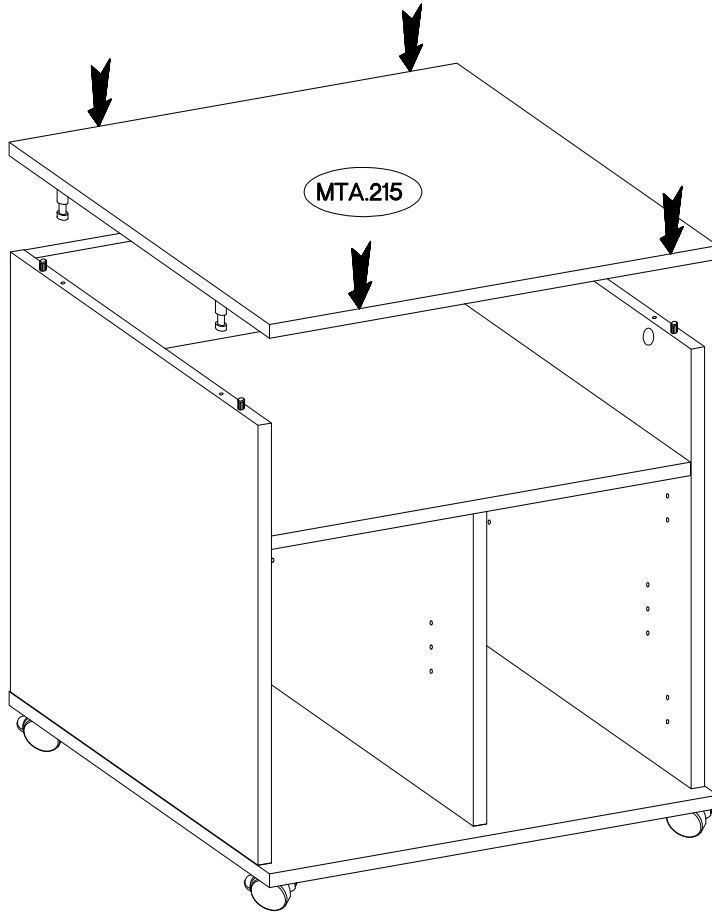
6



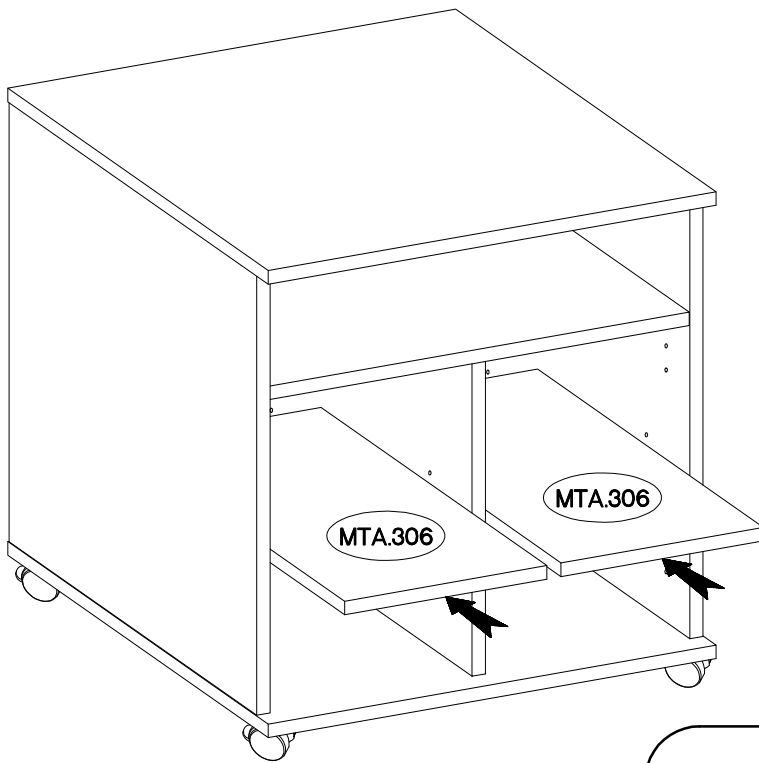
7

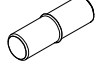
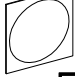


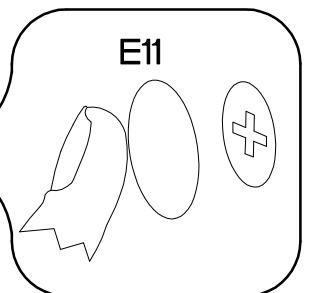
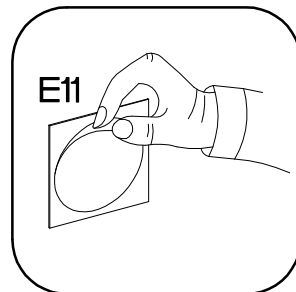
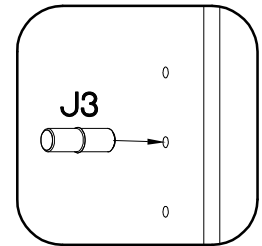
8



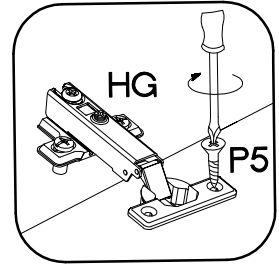
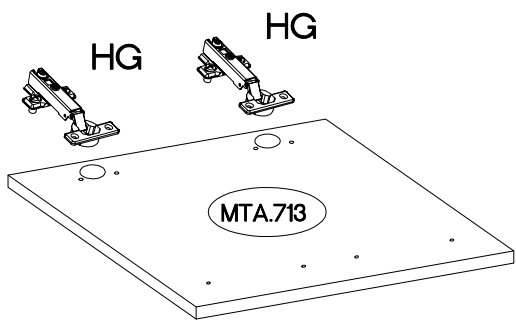
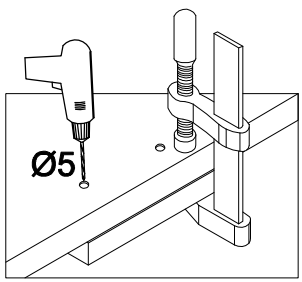
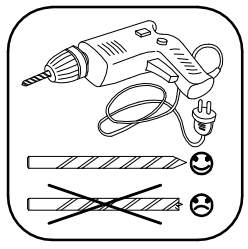
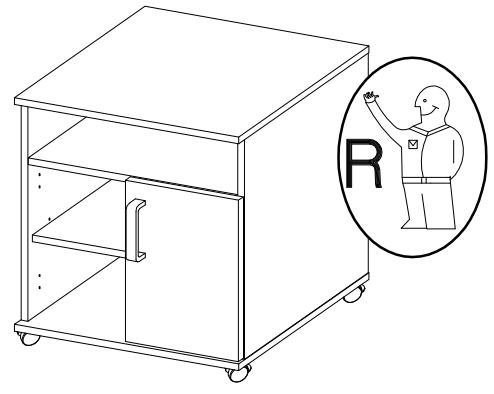
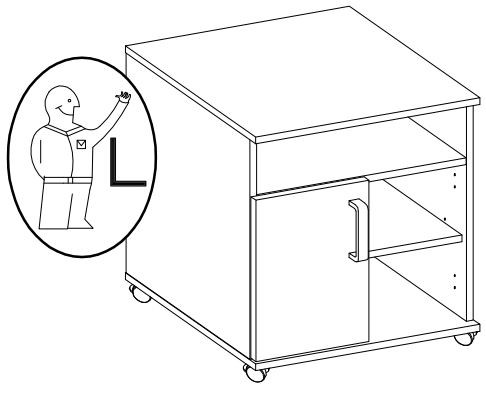
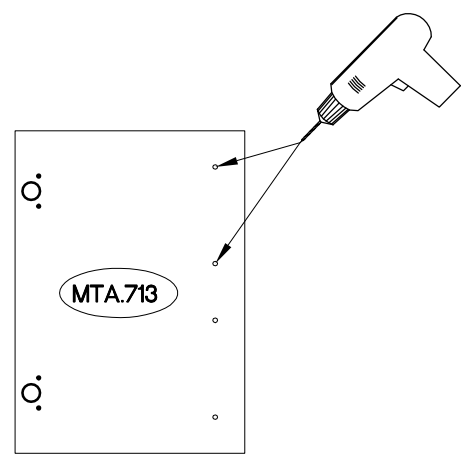
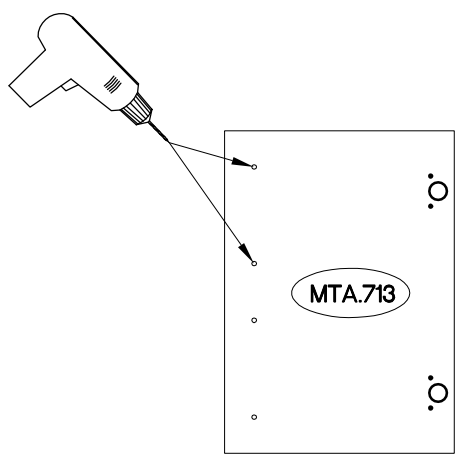
9





+5/16mm  J3 8	+20  E11 14
---	---



±35/0mm [CD] HG 2	±3.5x13mm P5 4
----------------------------	----------------------



L=128mm	M4x22mm
	
S	U
1	2

