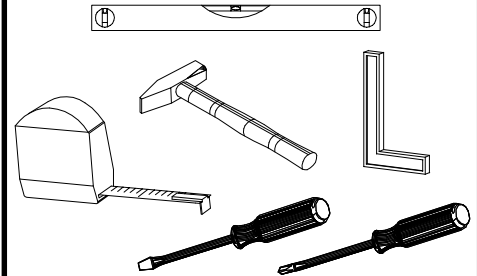
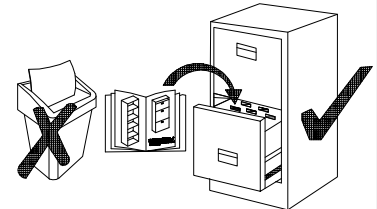


# PARIS SO01

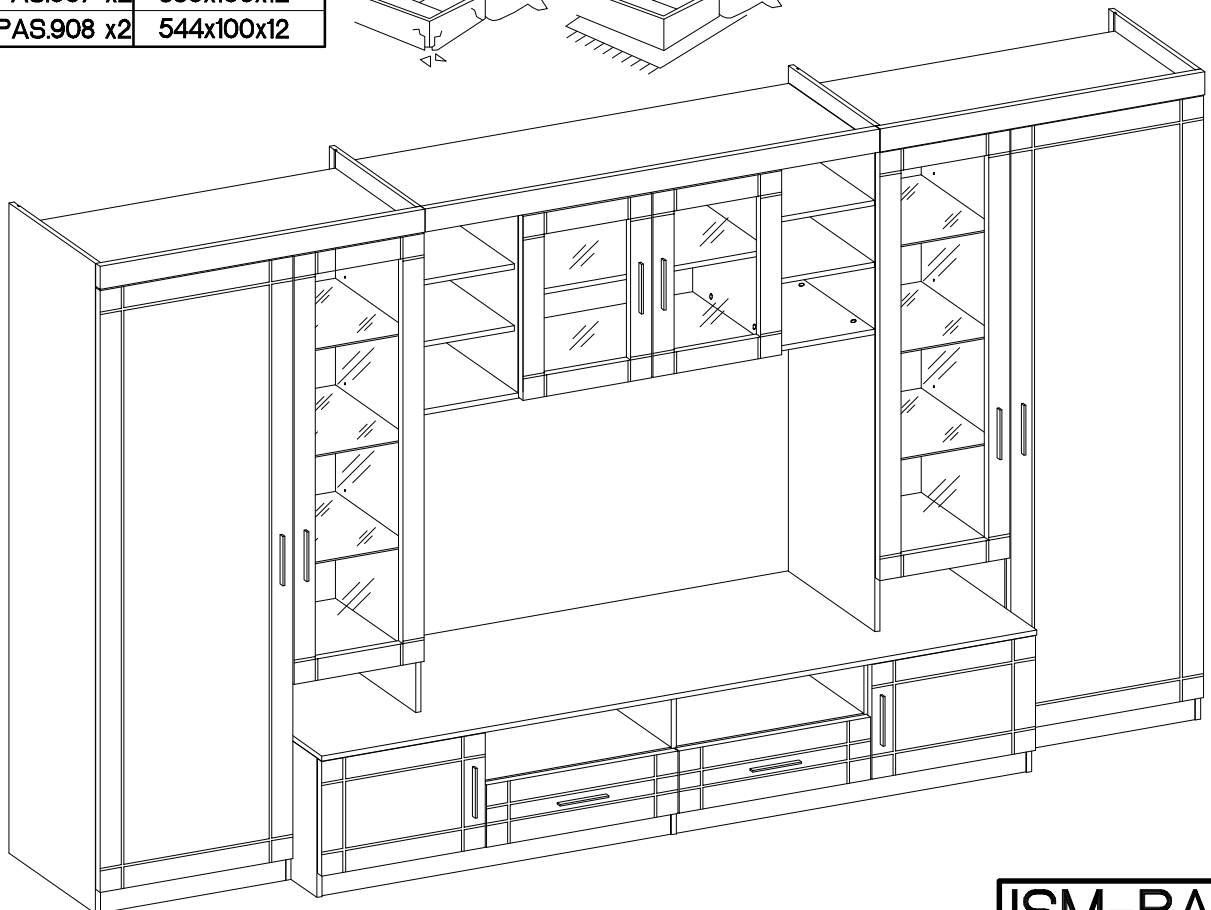
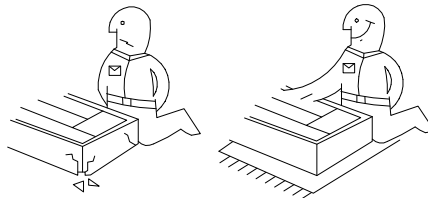


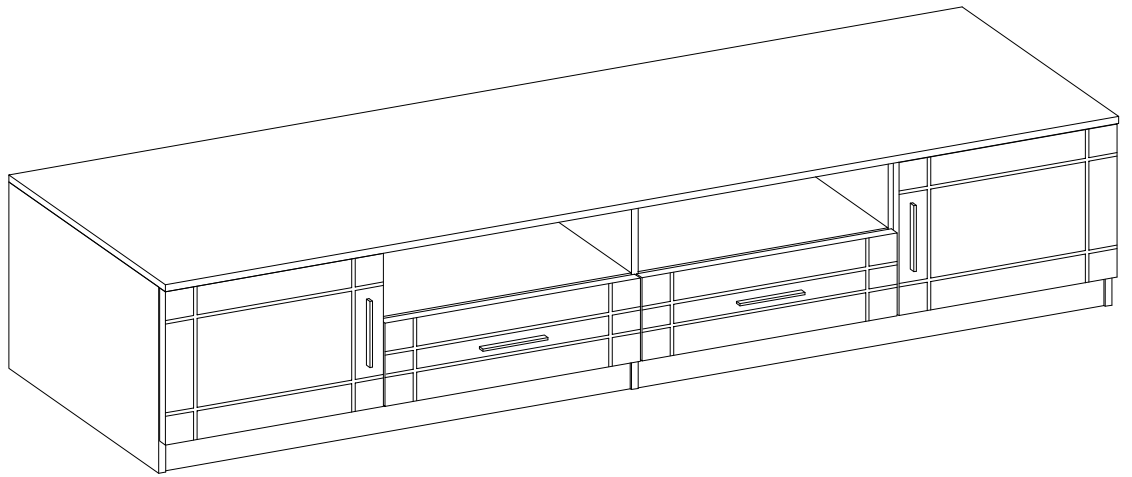
Coli	Typ	Ersatzteil Nummer	Dimension	Coli	Typ	Ersatzteil Nummer	Dimension
1/8	WHO1F/SO01F	PAS.702	1297x400x16	5/8	SO01	PAS.101	1531x320x16
		PAS.703	1297x400x16			PAS.401	383,5x297x16
		PAS.704 x2	558x396x16			PAS.402 x4	568,5x297x16
		PAS.705 x2	503x348x16			PAS.602	1477x395x2,5
		PAS.706 x2	589x189x16			PAS.103	1531x320x16
		PAS.401	383,5x297x16			PAS.802 x2	1197x300x4
2/8	WHO1F/SO01F	PAS.701	1824x593x16				
		PAS.701	1824x593x16				
3/8	SO01			6/8	SO01	PAS.301 x6	568x283x16
		PAS.406 x2	576x392x16			PAS.403	968x298x16
		PAS.407 x2	1074,5x393x15			PAS.901 x2	568,5x70x16
		PAS.505	423x393x16			PAS.902 x2	1000x70x16
		PAS.506	336x393x16			PAS.404	968x298x16
		PAS.507	336x393x16			PAS.801 x6	383x283x5
4/8	SO01			7/8	SO01		
		PAS.105	423x416x16			PAS.102	1970x320x16
		PAS.106	423x416x16			PAS.501	1900x298x16
		PAS.201	2199x434x16			PAS.601 x2	1844x580x2,5
		PAS.604 x2	192x590x2,5			PAS.104	1970x320x16
		PAS.605 x2	356x496x2,5			PAS.502	1900x298x16
		PAS.606 x2	328x554x2,5				
		PAS.905 x2	1074,5x70x16				
		PAS.906 x2	330x100x12				
		PAS.907 x2	330x100x12				
PAS.908 x2	544x100x12						

PARIS WH01F   
PARIS SO01F



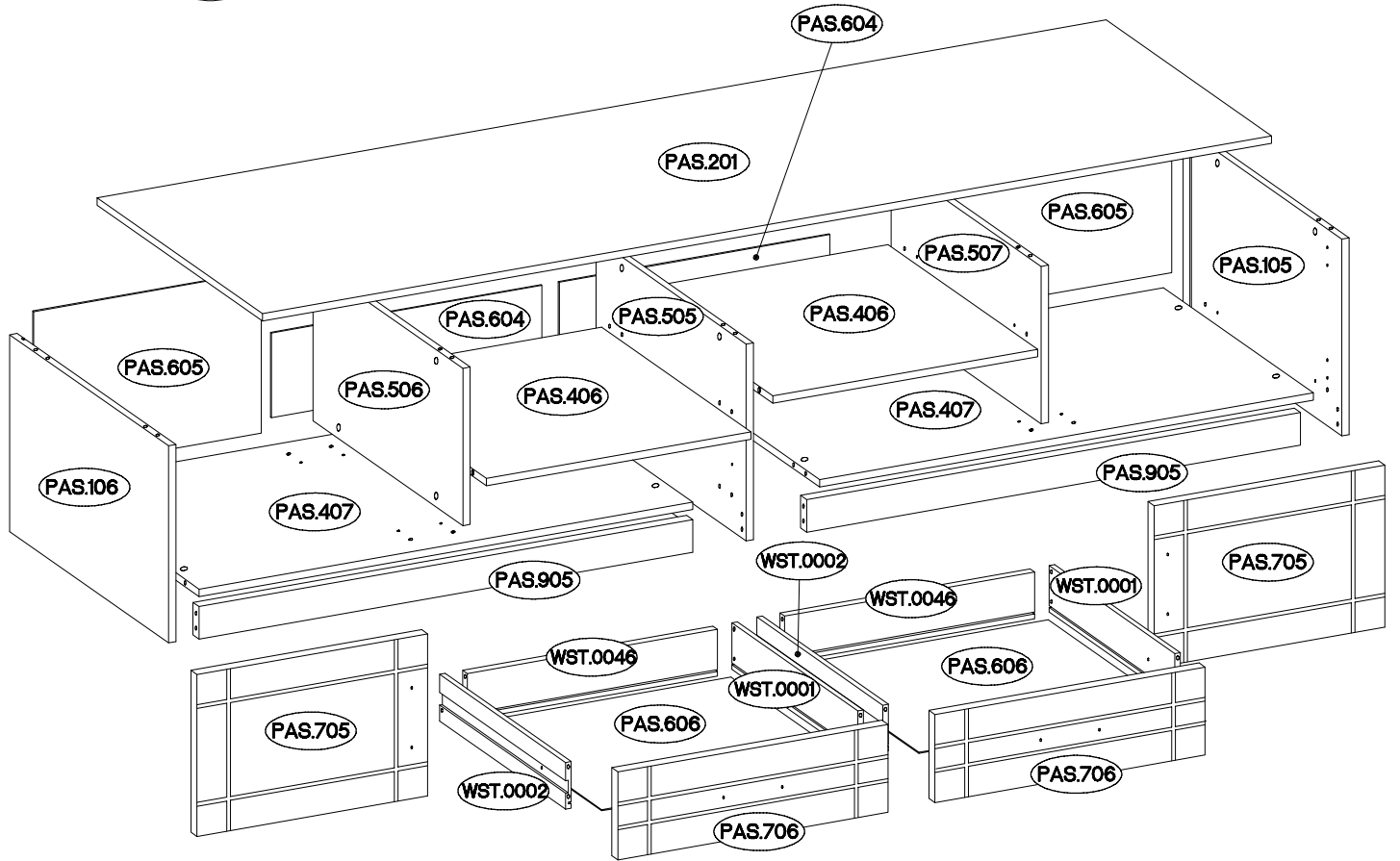
Coli	Typ	Ersatzteil Nummer	Dimension
8/8	SO01	PAS.302 x4	299x267x16
		PAS.303	768x283x16
		PAS.405 x2	1400x319,5x16
		PAS.503	548x297x16
		PAS.504	548x297x16
		PAS.603	557x798x2,5
		PAS.704 x2	558x396x16
		PAS.903	1400x70x16
		PAS.904 x2	548x300x16
		PAS.803 x2	458x296x4





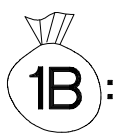
PAS.406 = max. 5kg

PAS.201 = max. 15kg

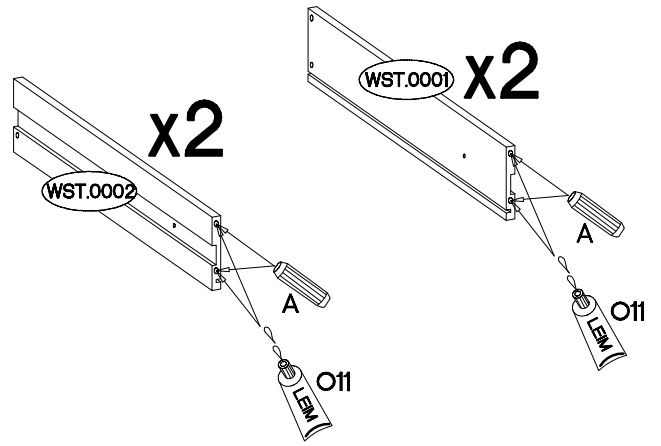
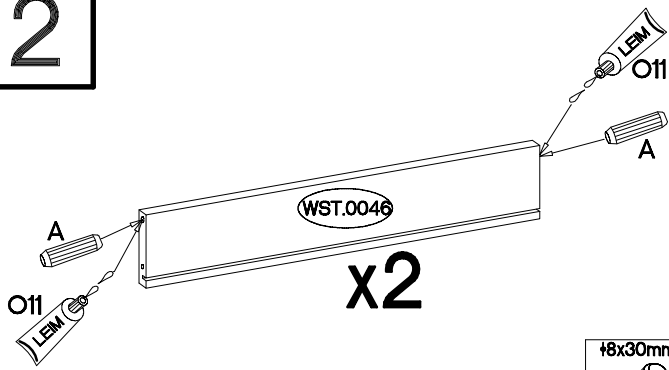


	6.5x48x16
	L=56mm
<b>F2</b>	<b>D4</b>
6	4

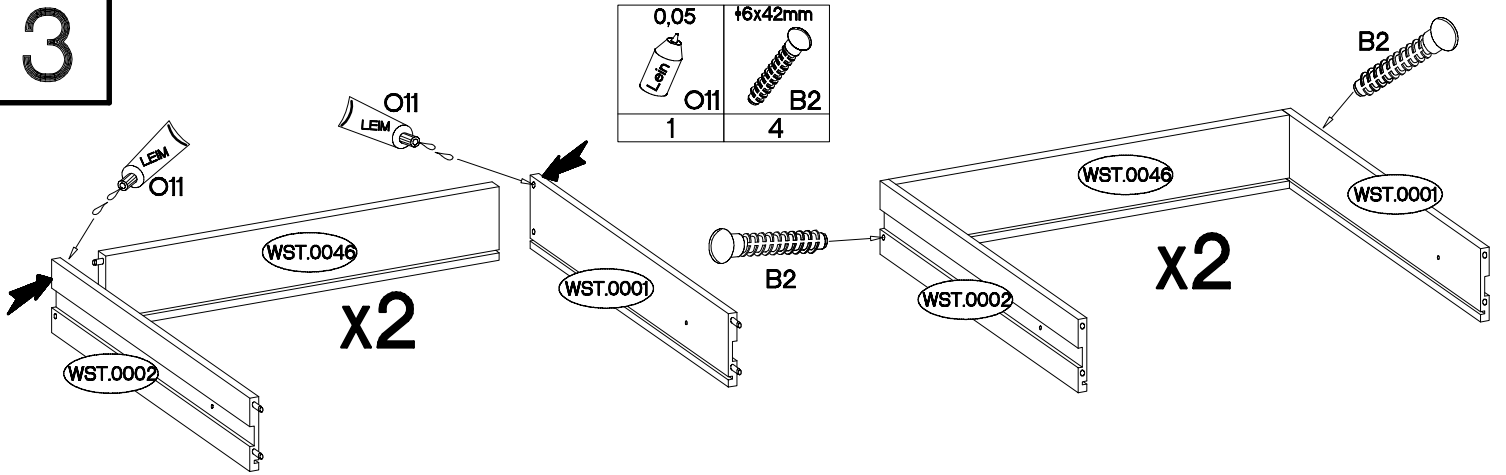
	+4.0x16mm		+15x5mm		+6.3x13mm		0,05		27/310mm		+6x42mm		M4x9mm			+3.0x20mm			
<b>T3</b>	<b>P1</b>	<b>F4</b>	<b>M2</b>	<b>O11</b>	<b>I4</b>	<b>B2</b>	<b>U1</b>	<b>L2</b>	<b>P7</b>	<b>C</b>	<b>A</b>	<b>D2</b>	<b>E</b>	<b>G</b>	<b>H</b>	<b>S11</b>	<b>P5</b>	<b>R2</b>	<b>L</b>
2	4	2	8	1	2	4	4	6	24	30	50	22	18	4	4	4	8	8	12
	+15/12mm	+8x30mm	L=20mm	+35/0mm	H=0	L=128mm	+3.5x13mm	+4.0x30mm											



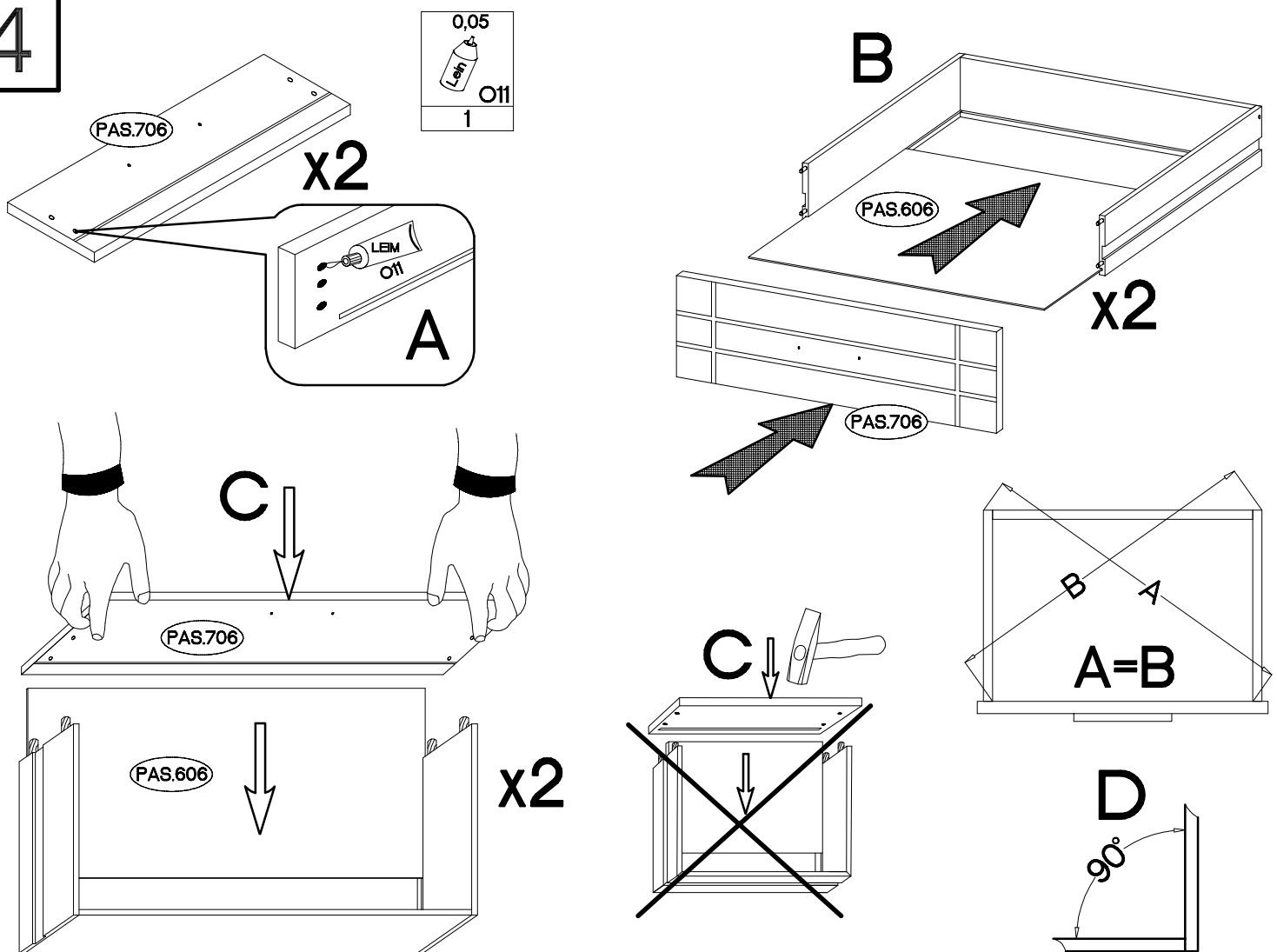
2

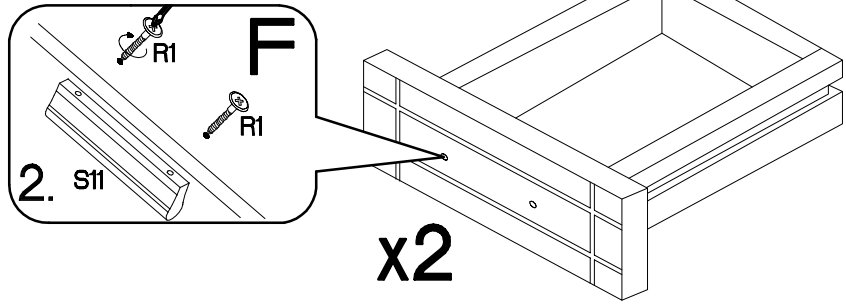
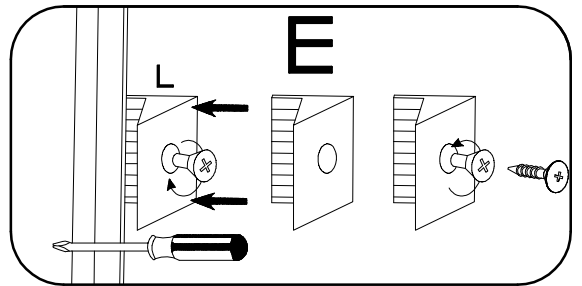
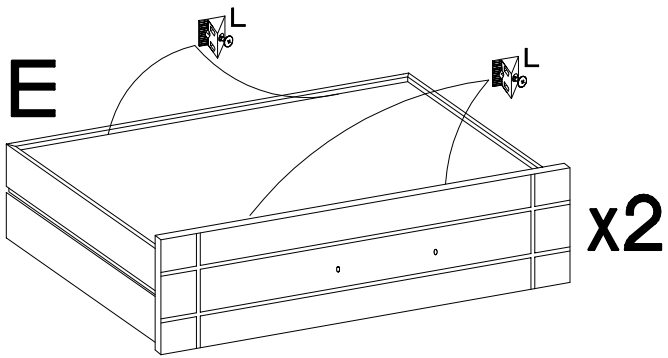


3



4

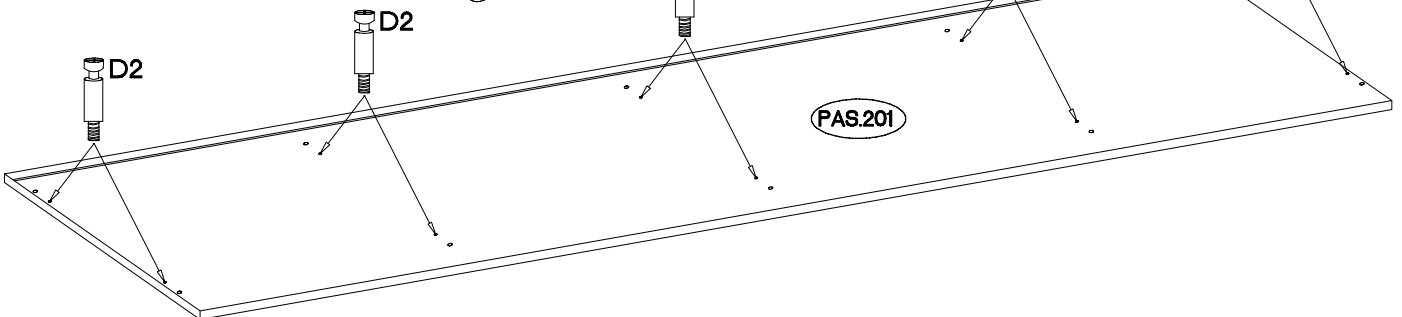
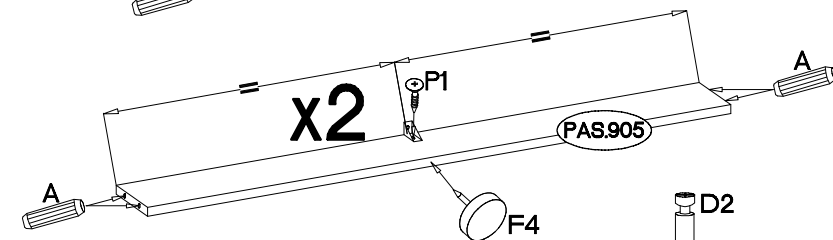
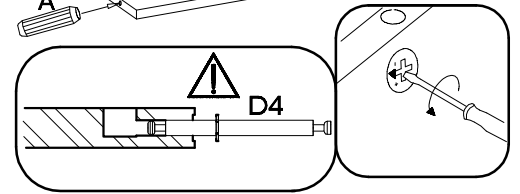
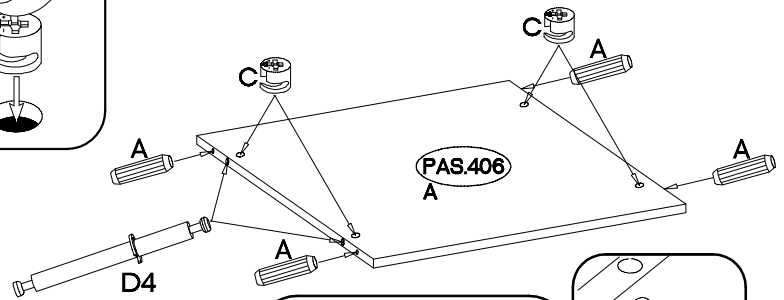
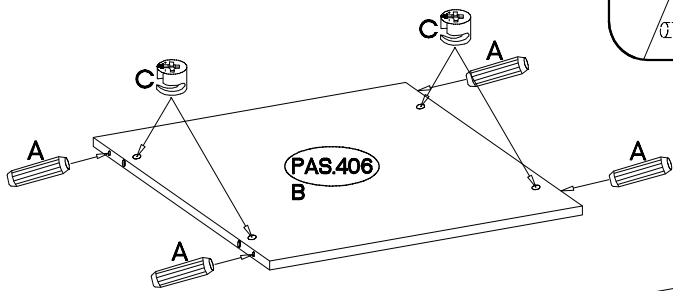
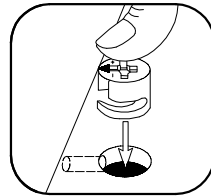
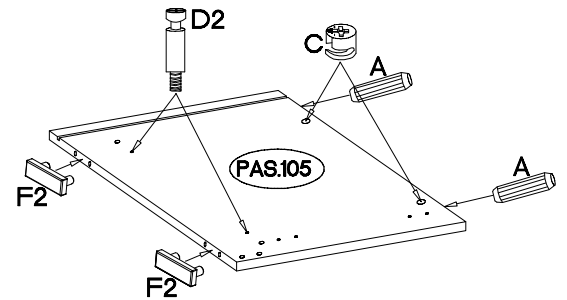
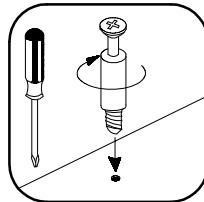
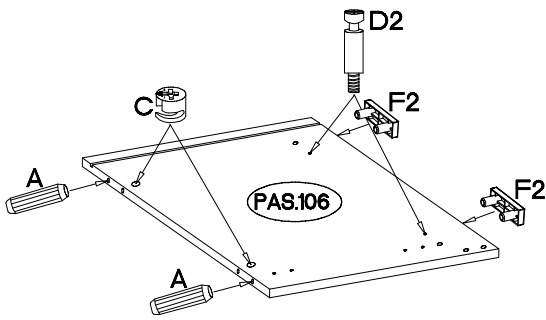


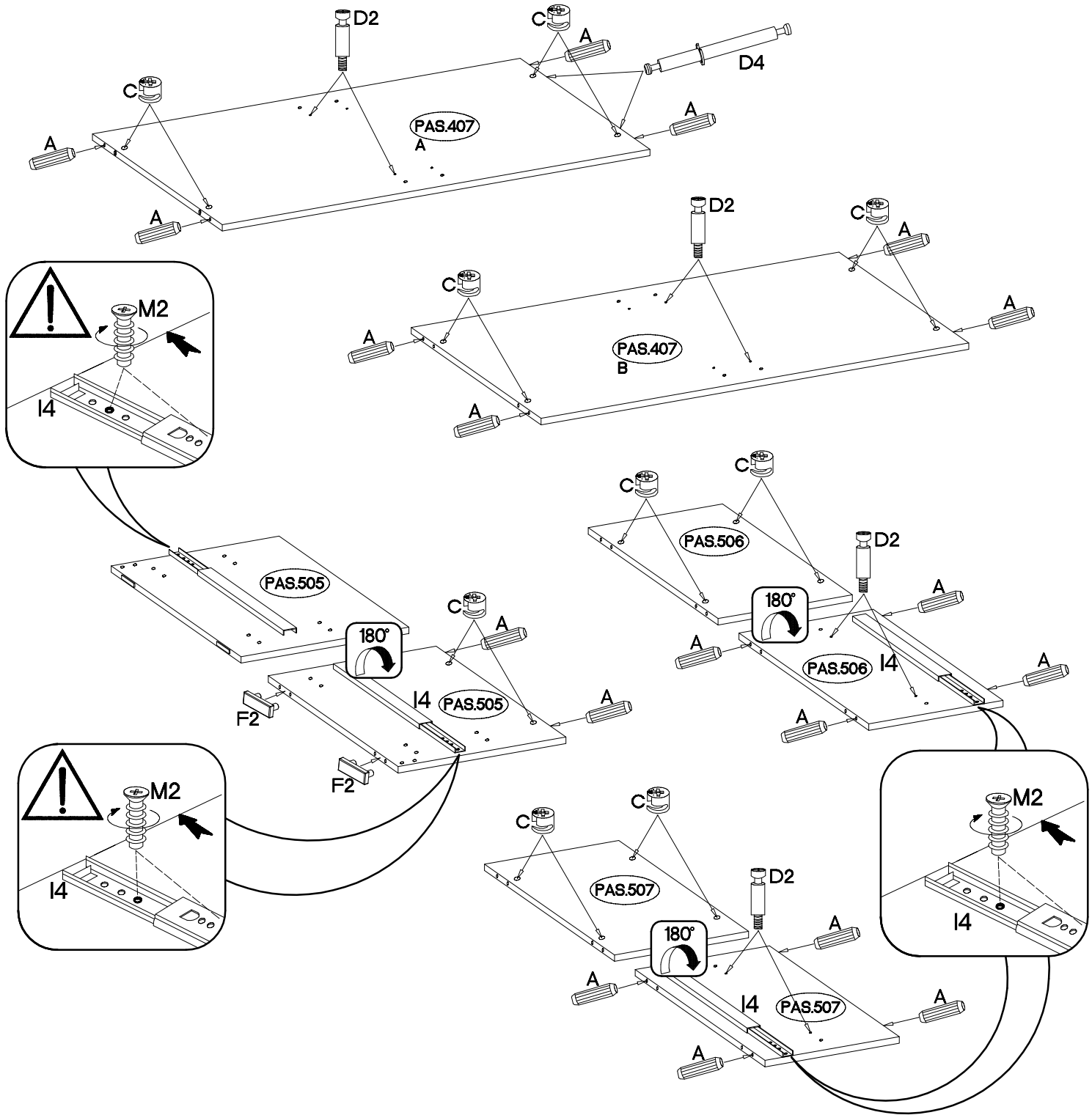


L=128mm	±4.0x30mm	
S11	R2	L
2	4	8

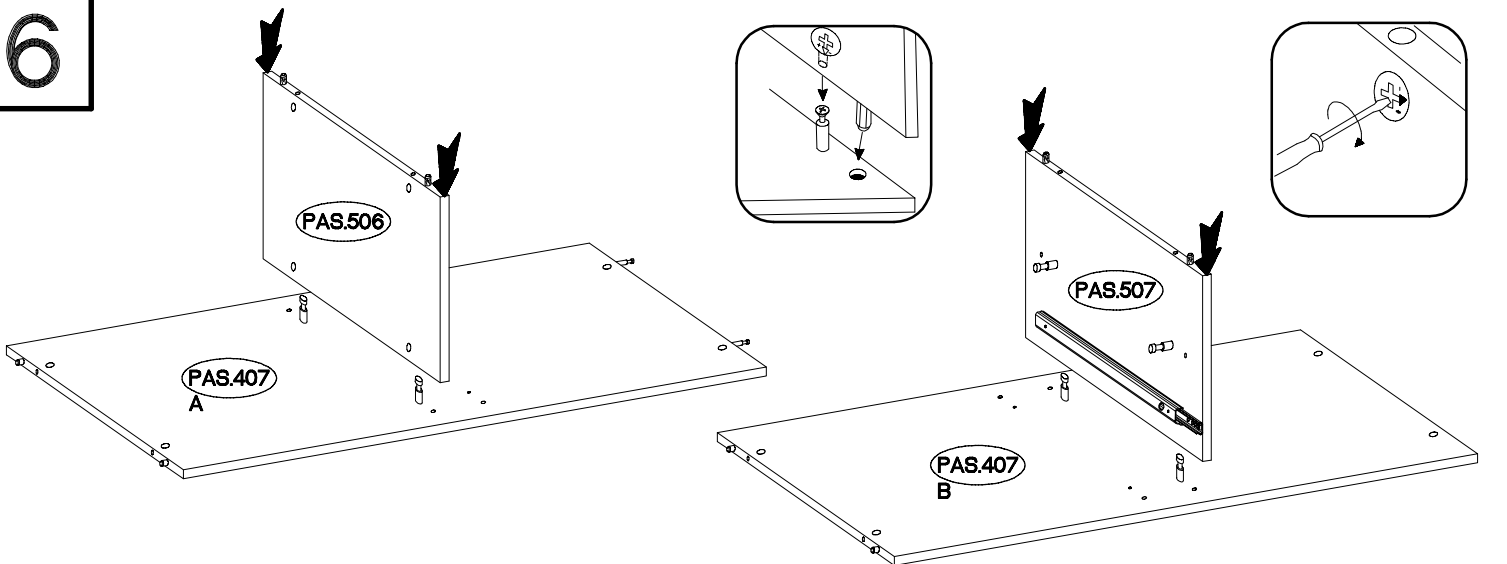
5

±15/12mm	±8x30mm	L=20mm	6.5x48x16	±15x5mm	27/310mm	±6.3x13mm	L=56mm	±4.0x16mm
C	A	D2	F2	F4	I4	M2	D4	T3
30	38	22	6	2	2	8	4	2

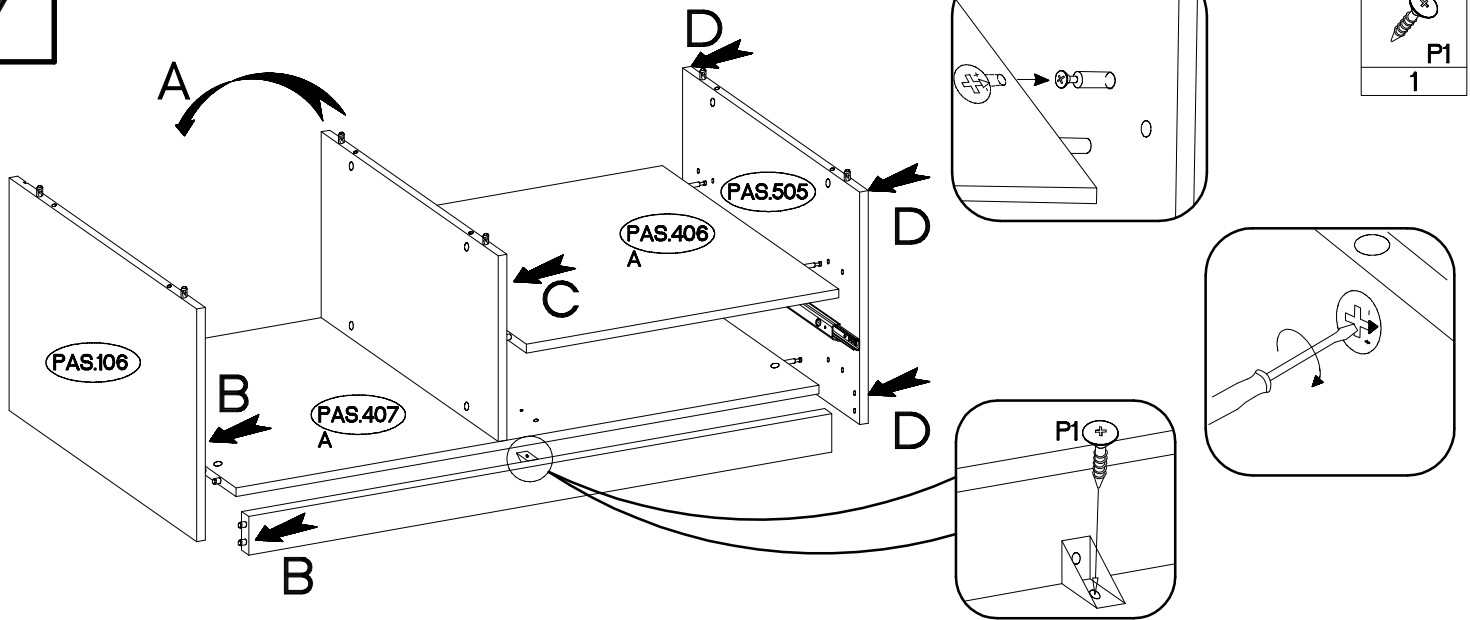




6

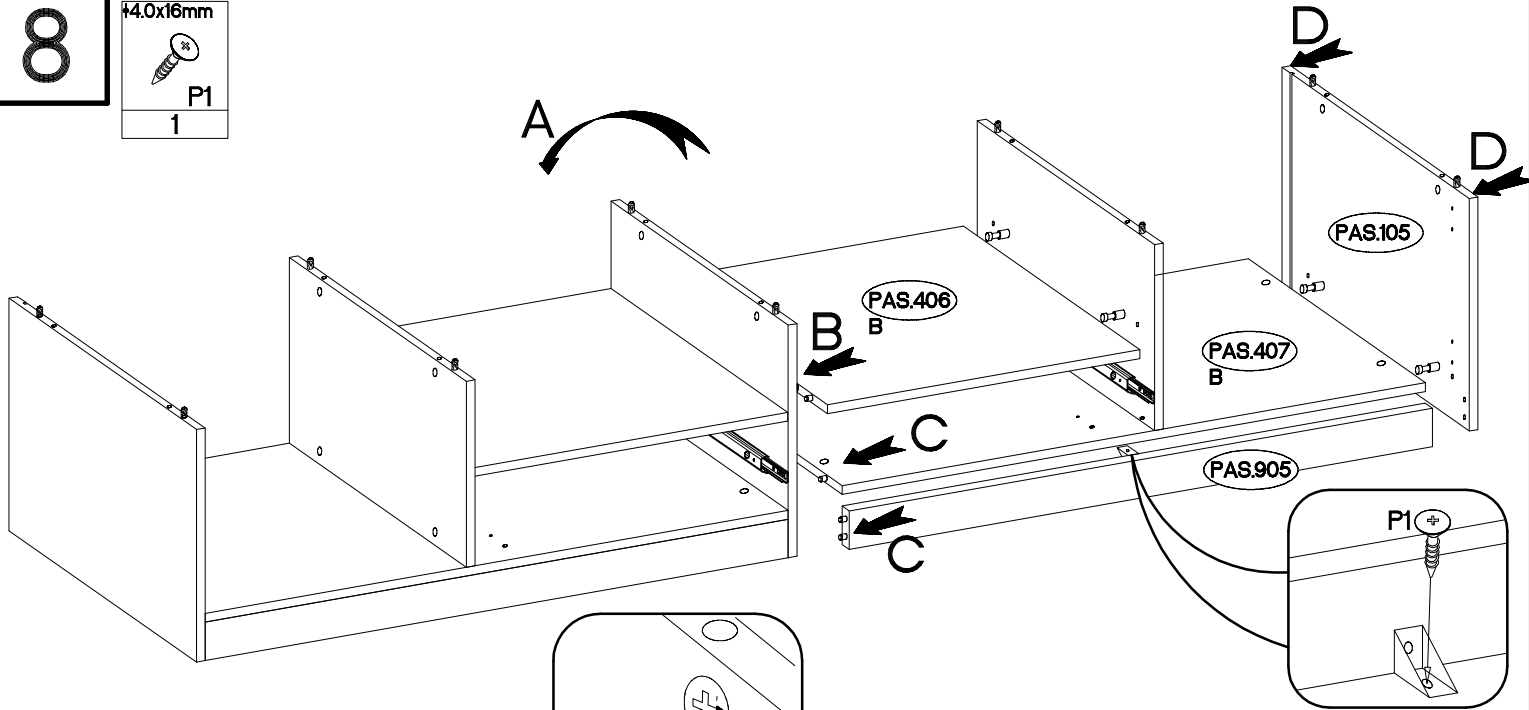


7

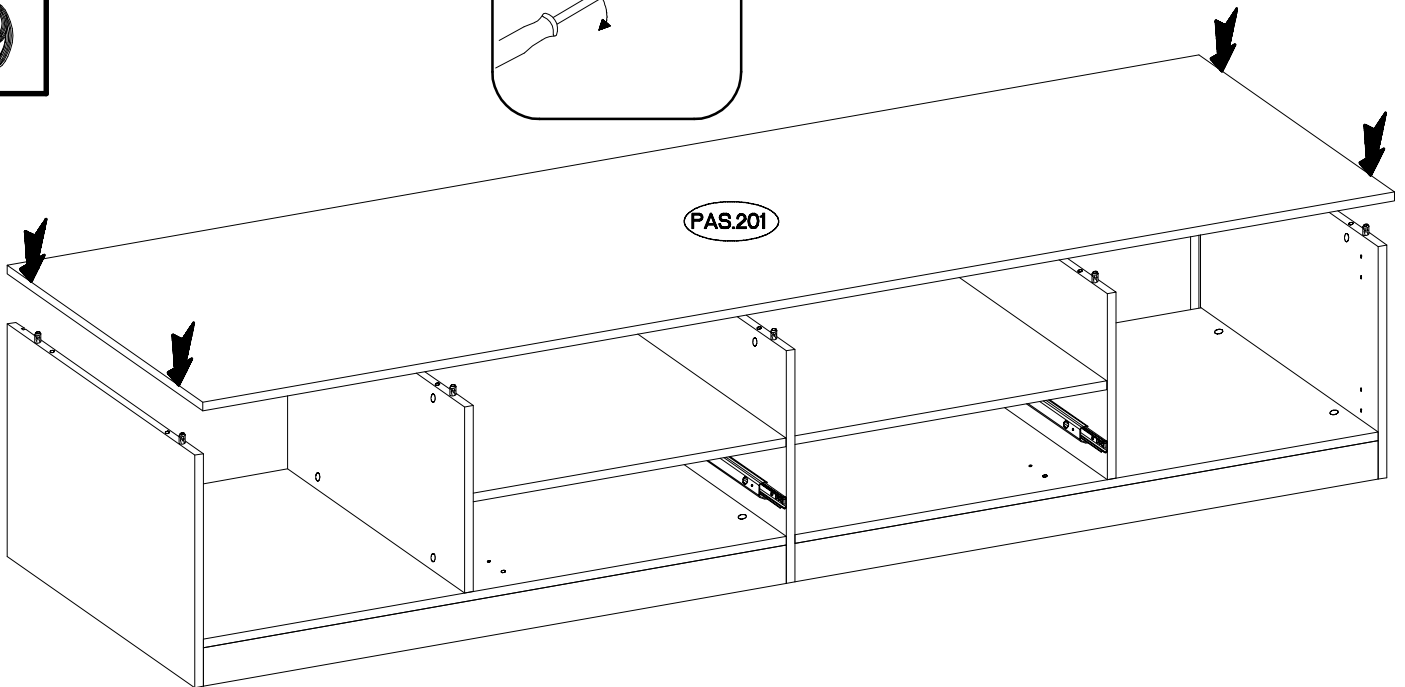


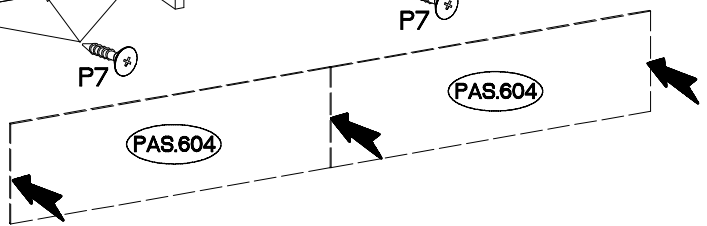
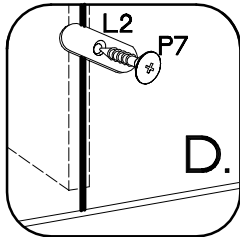
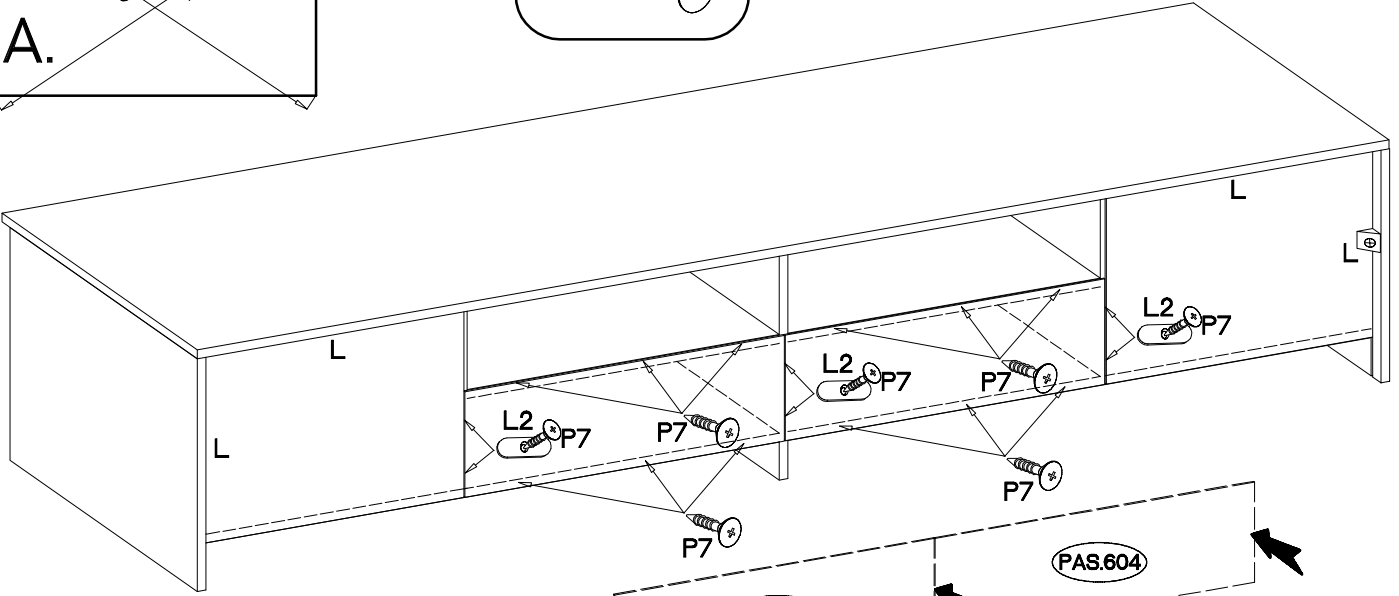
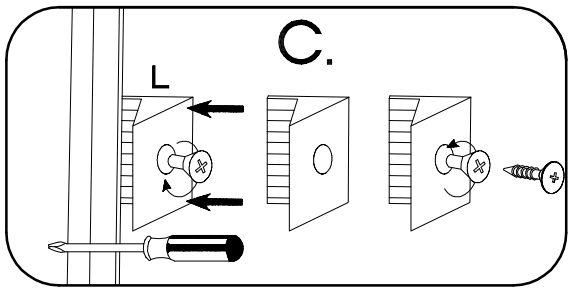
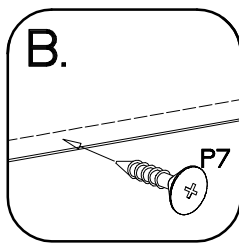
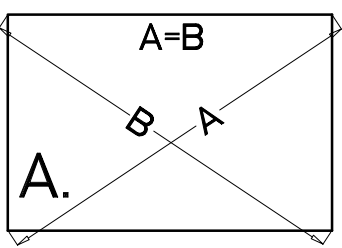
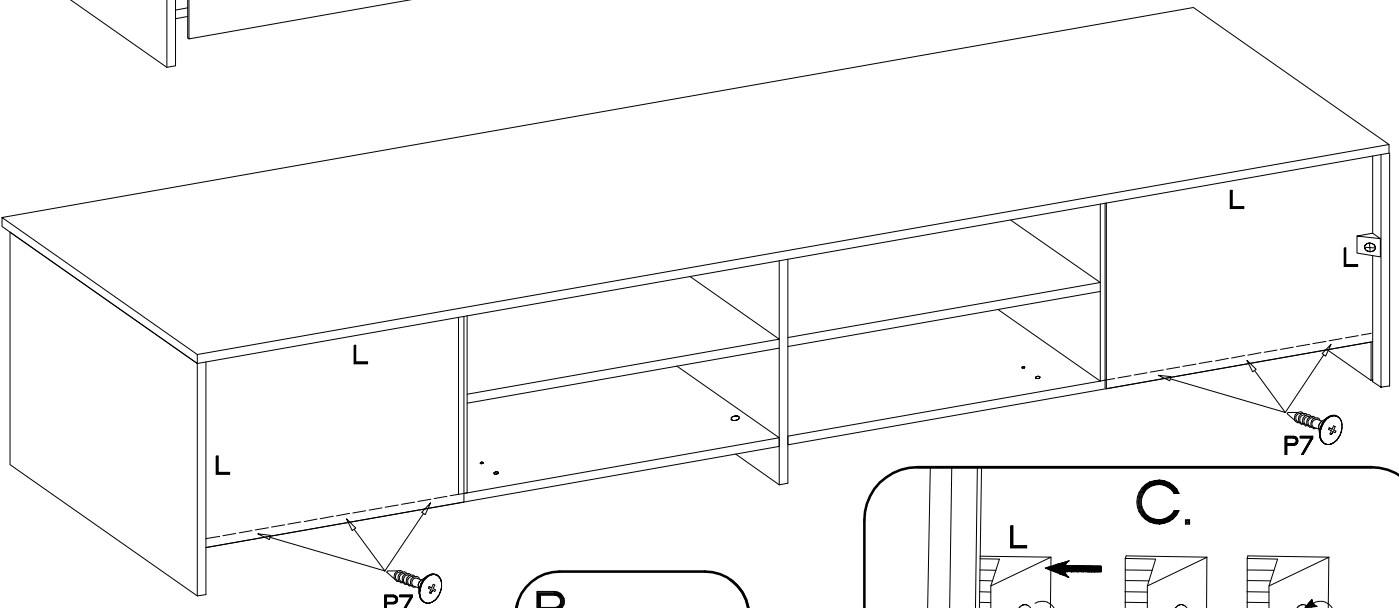
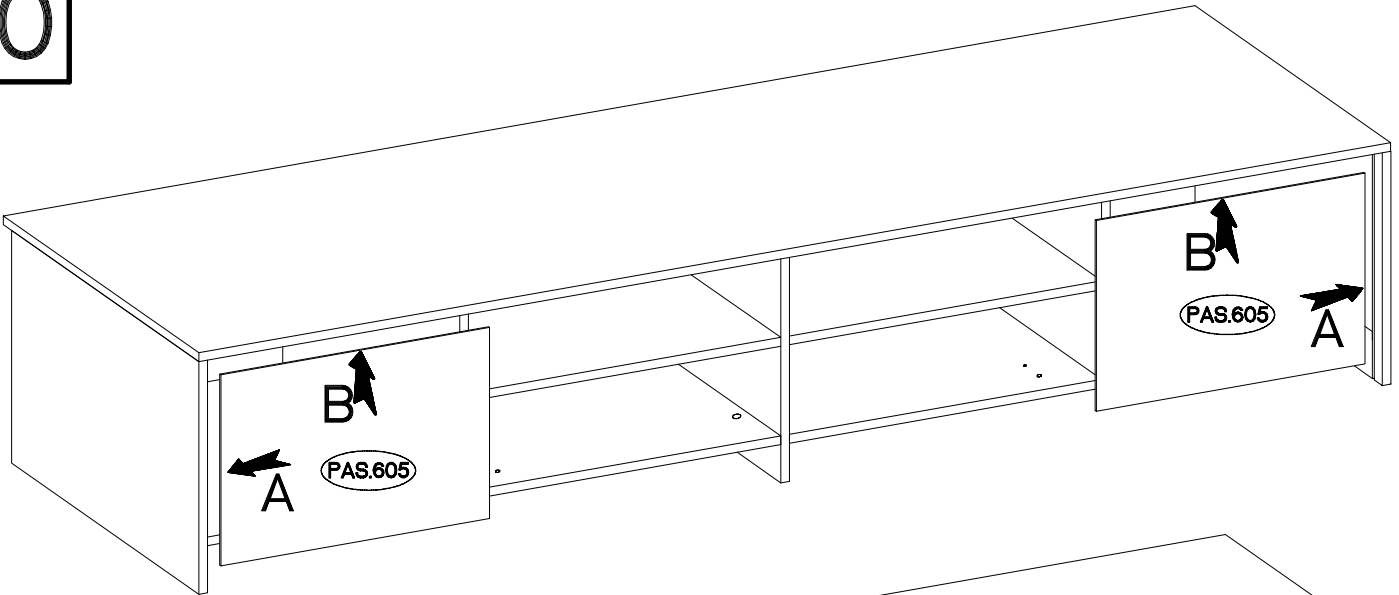
8

4.0x16mm  
P1  
1



9





L	L2	P7
4	6	24

±3.0x20mm

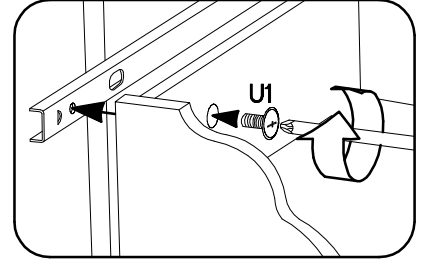
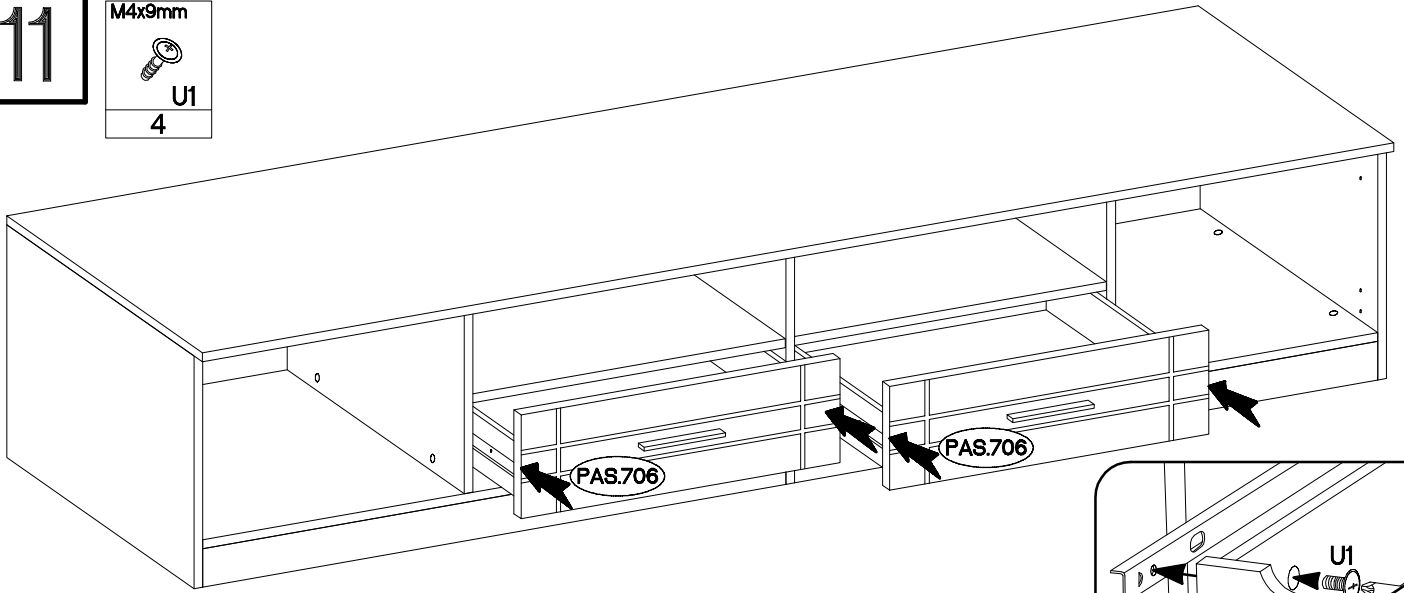
11

M4x9mm

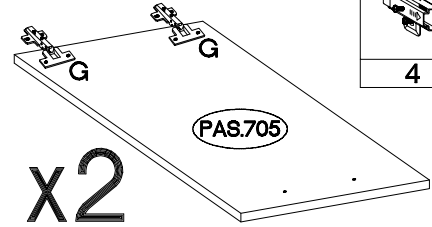
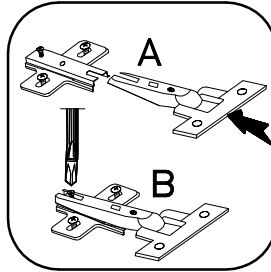
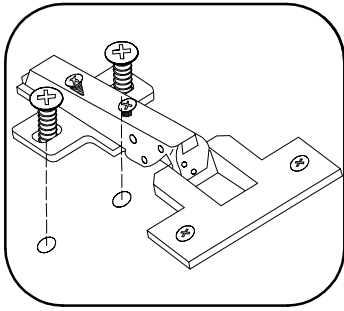


U1

4

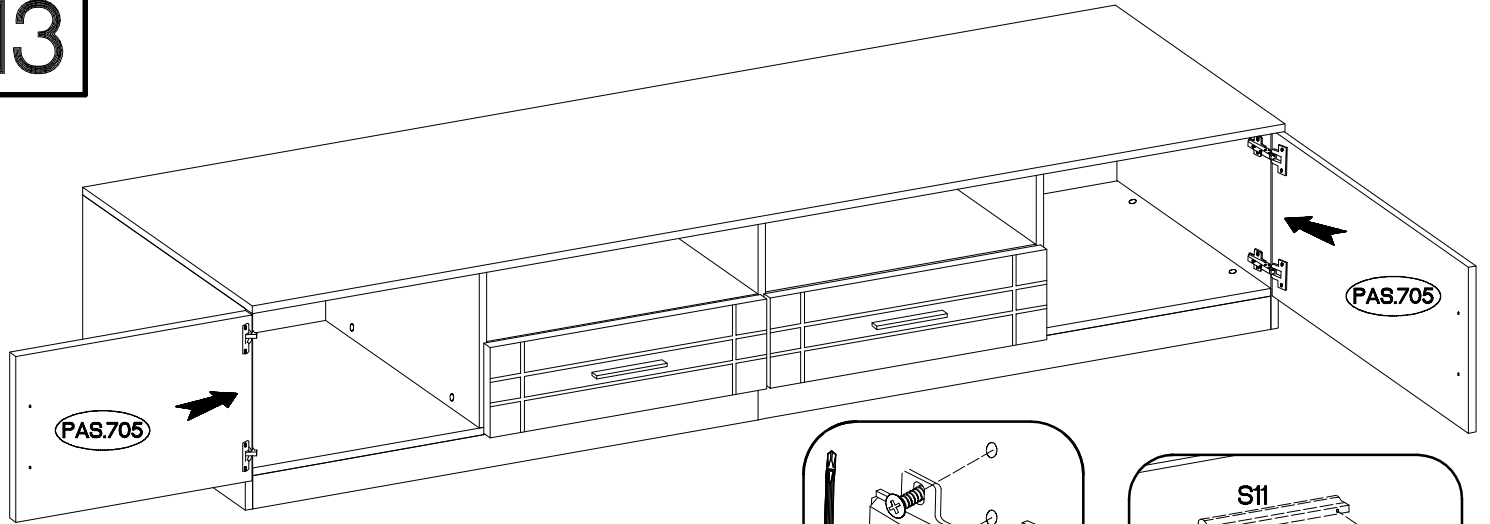


12

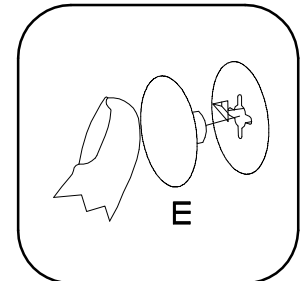
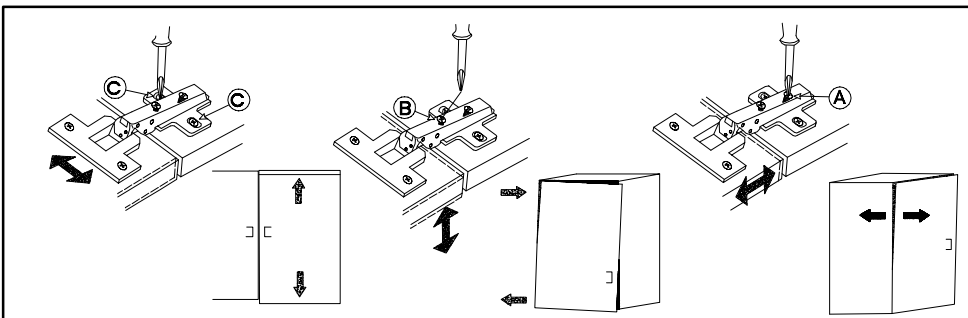
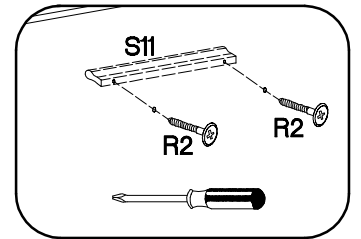
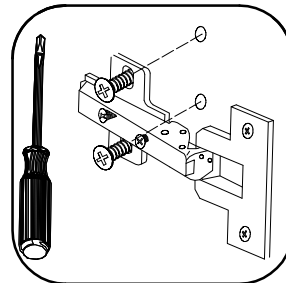


H=0	+3.5x13mm
4	8
	+35/0mm
	4

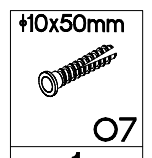
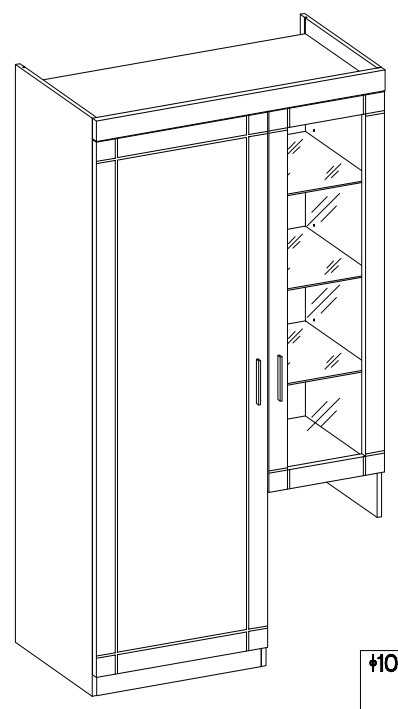
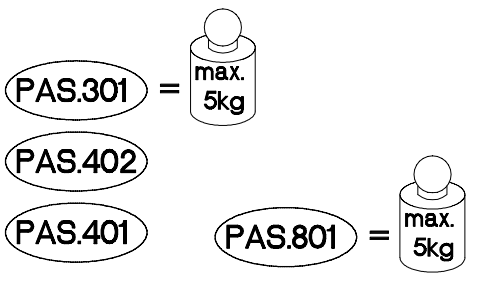
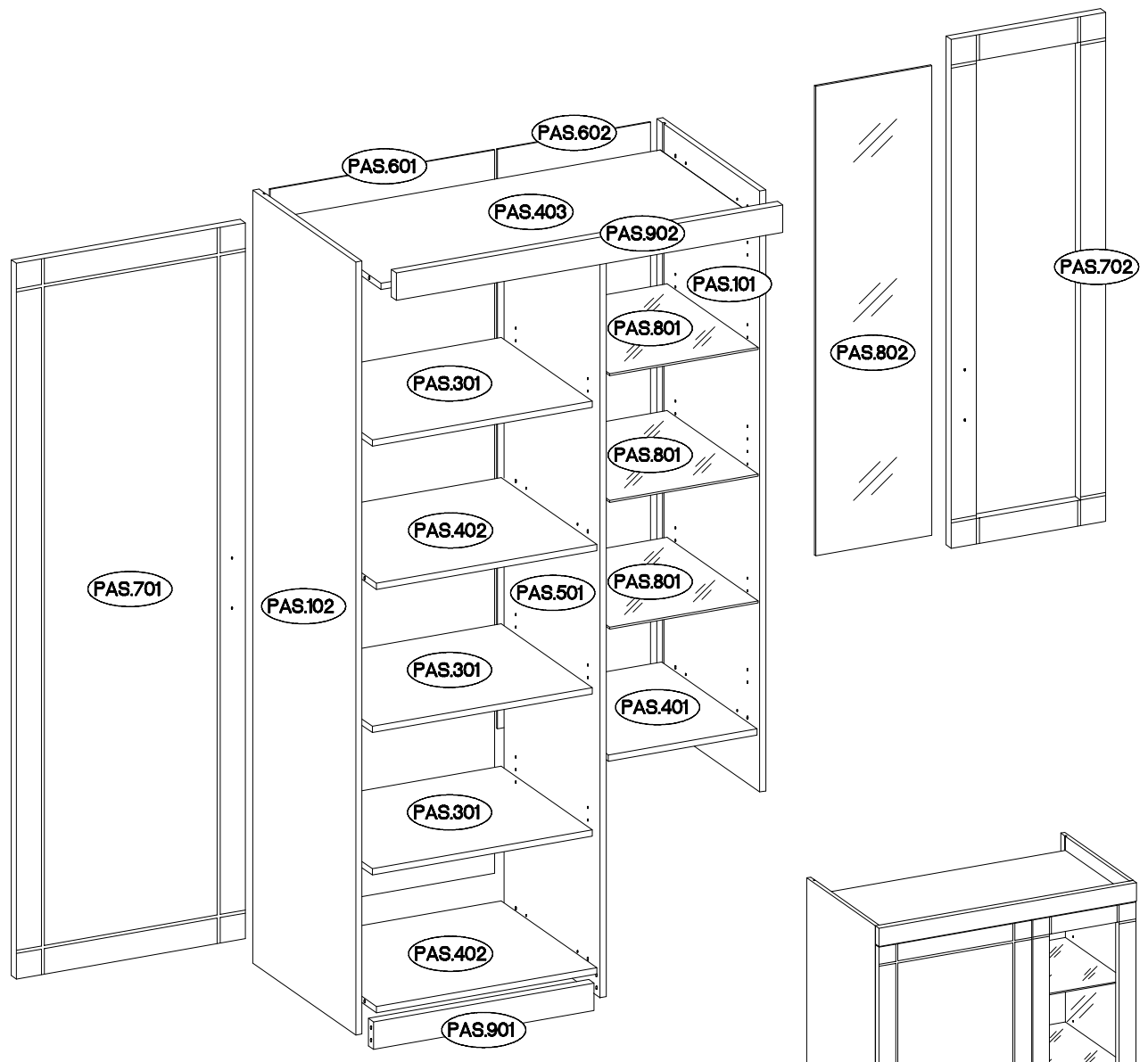
13


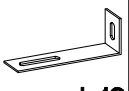

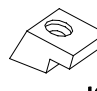

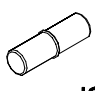



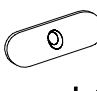

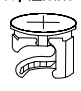
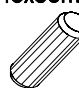
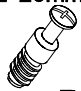

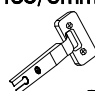

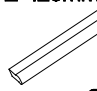

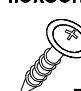
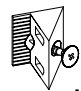


	+4.0x30mm	L=128mm
E		
18	4	2

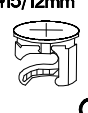
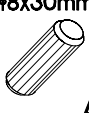

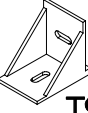




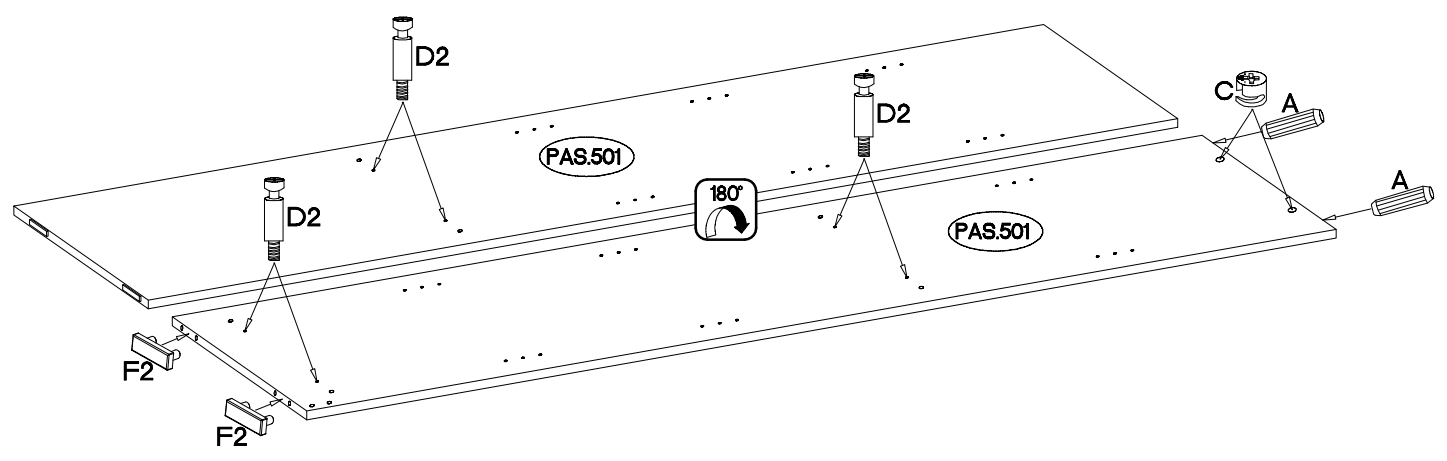
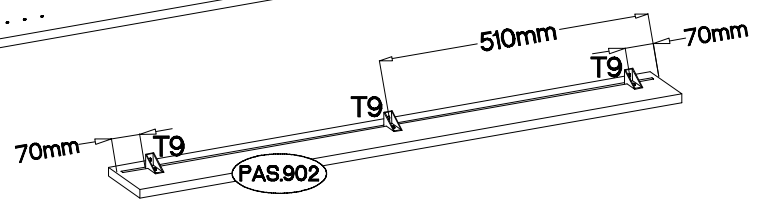
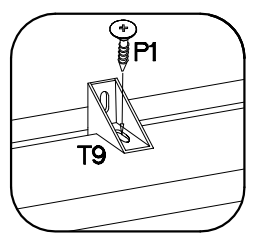
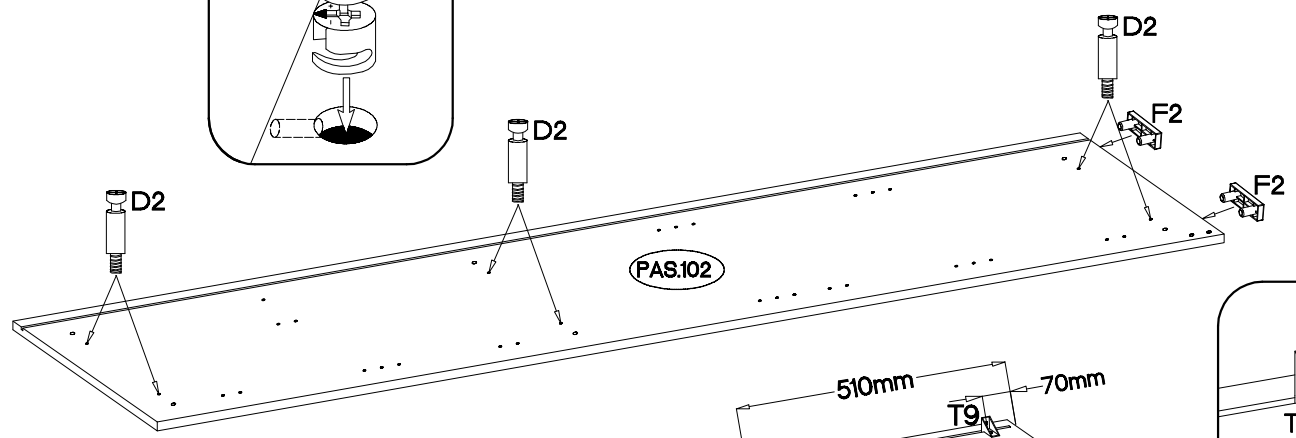
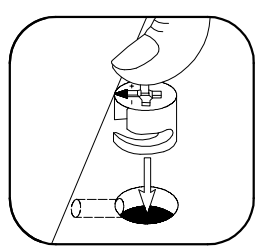
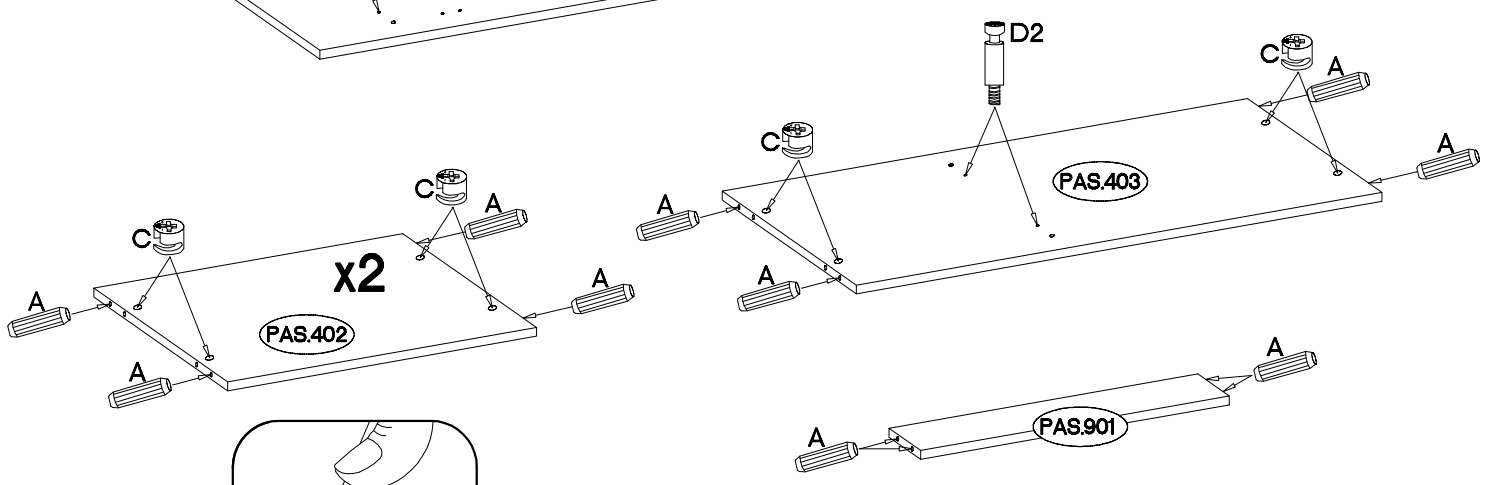
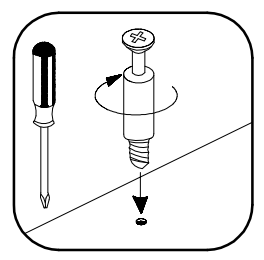
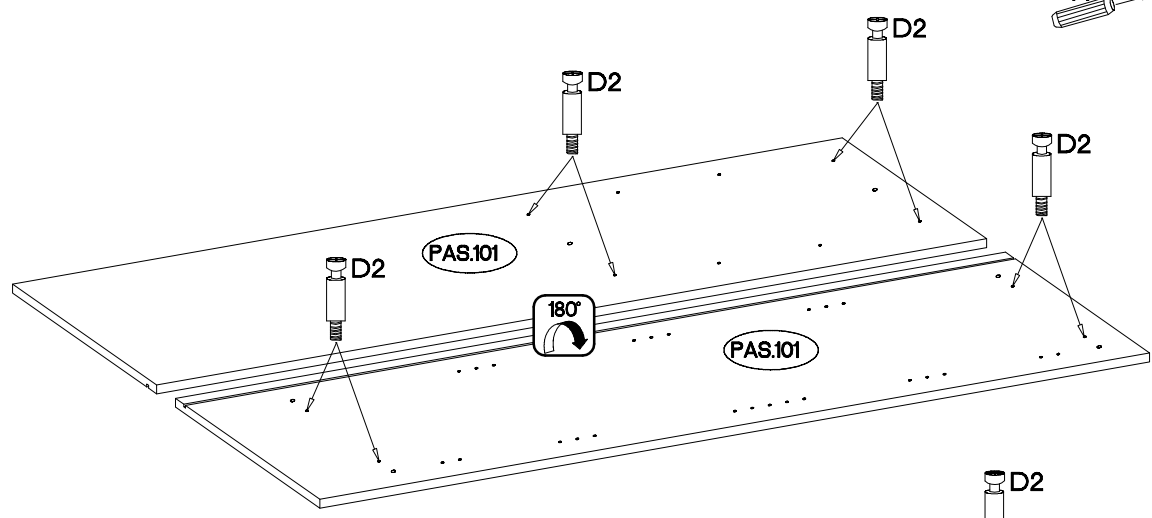
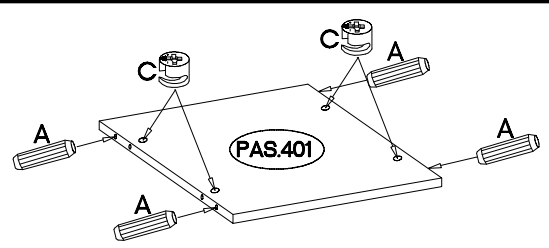




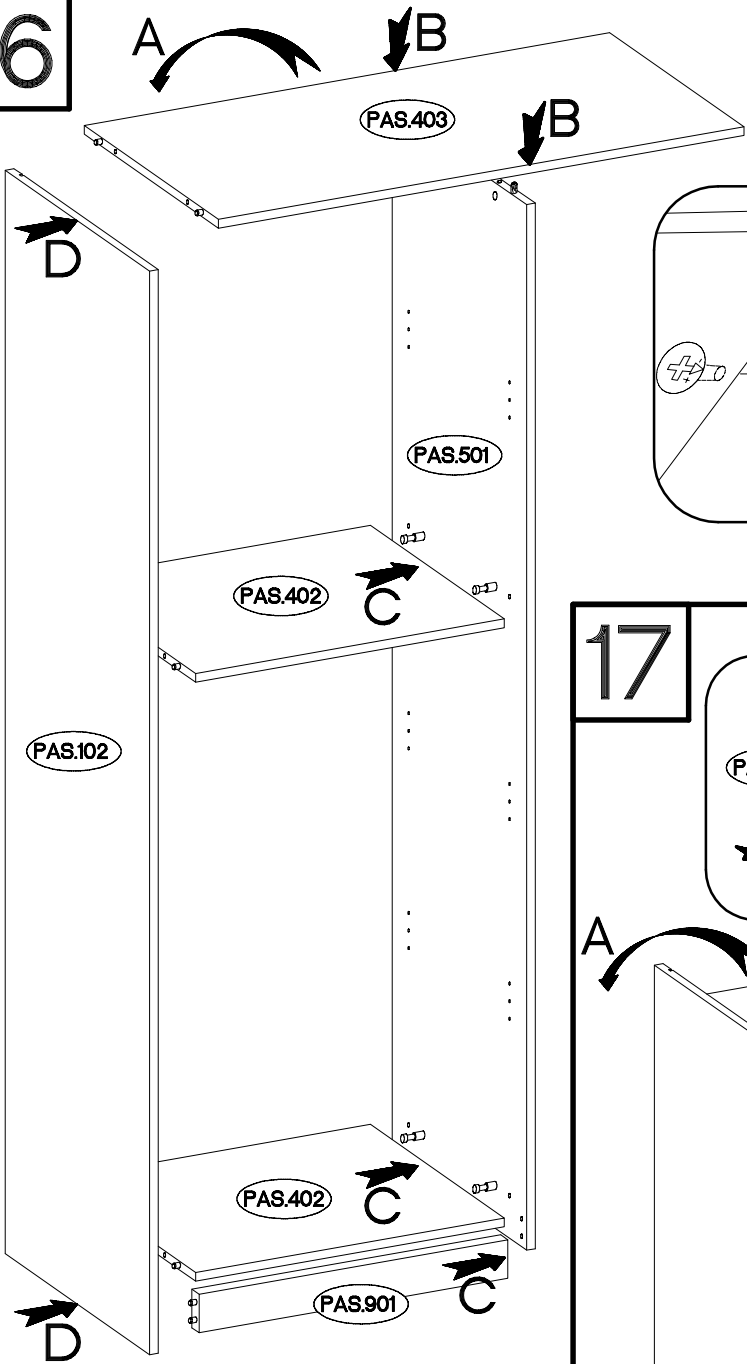
 +4.0x25mm R	 L19	 +5.0x60mm P12	 J8	 +5/16mm J12	 J3	 6.5x48x16 F2	 +4.0x16mm P1	 T9	 L2	 +3.0x20mm P7
2	1	1	10	12	12	4	6	3	8	37
 +15/12mm C	 +8x30mm A	 L=20mm D2	 E	 +35/0mm G	 H=0 H	 L=128mm S11	 +3.5x13mm P5	 +4.0x30mm R2	 L	
18	22	22	18	7	7	2	16	4	9	

2B :

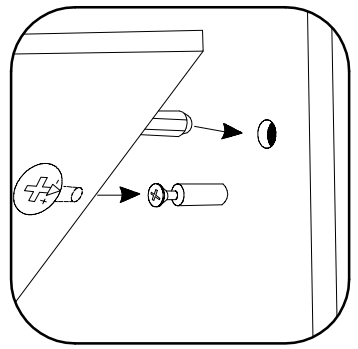
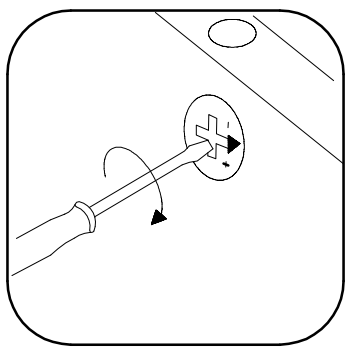
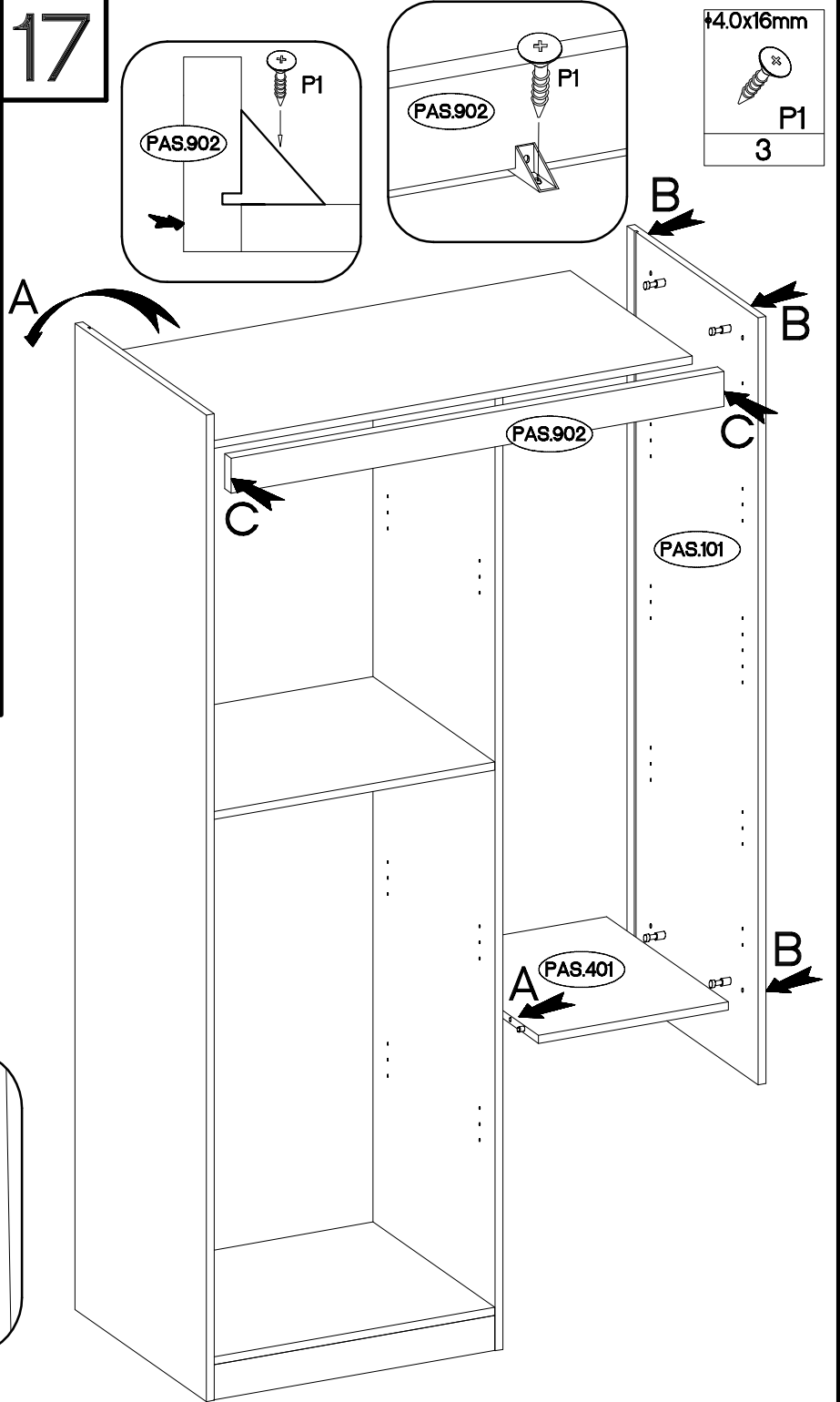
 <b>±15/12mm</b> <b>C</b> <b>18</b>	 <b>±8x30mm</b> <b>A</b> <b>22</b>	 <b>L=20mm</b> <b>D2</b> <b>22</b>	 <b>T9</b> <b>3</b>	 <b>±4.0x16mm</b> <b>P1</b> <b>3</b>	 <b>6.5x48x16</b> <b>F2</b> <b>4</b>
--	---	---	---	---	---

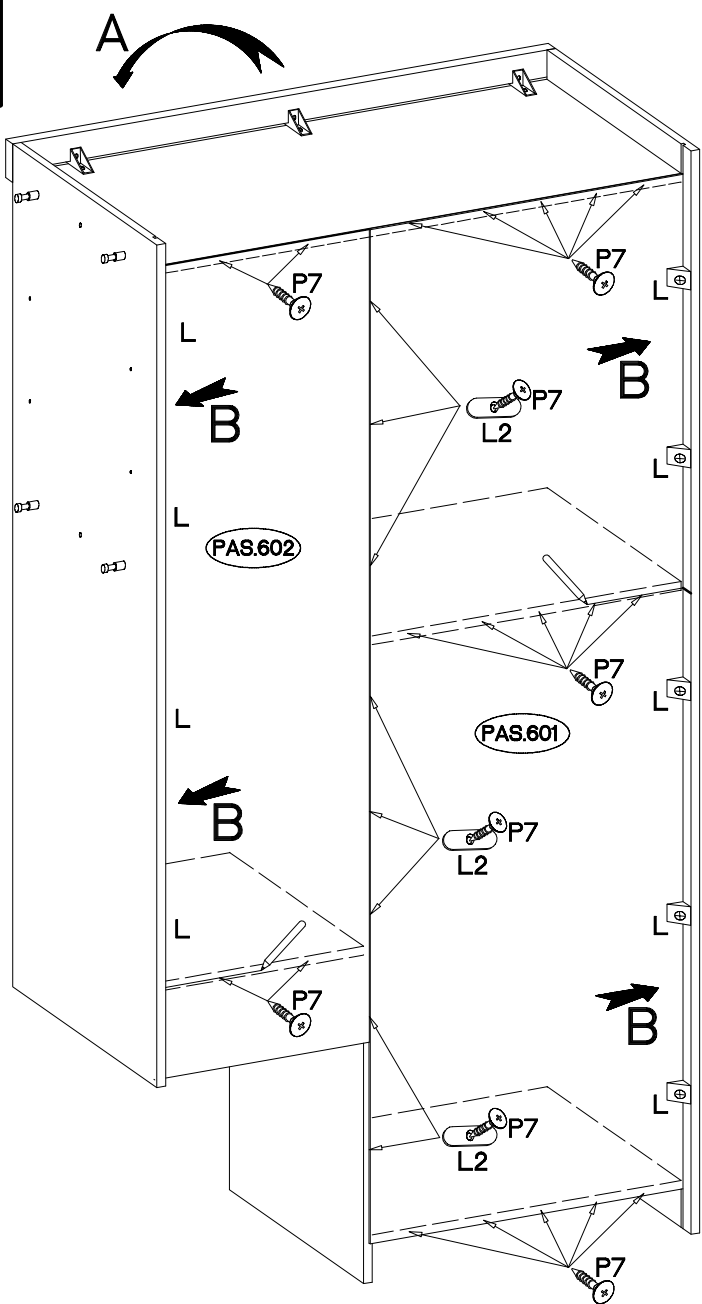


16

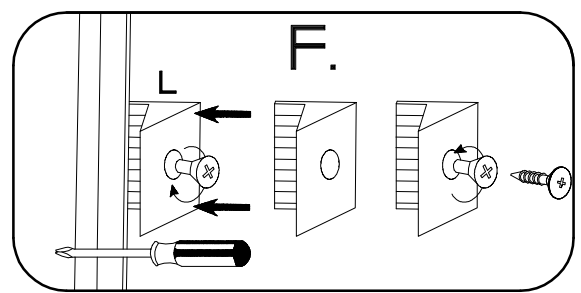
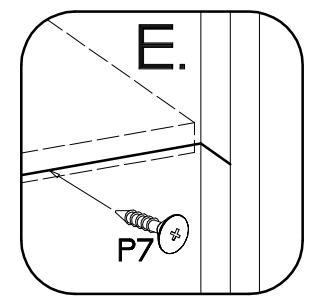
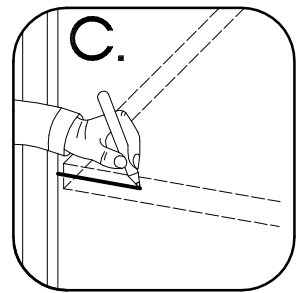
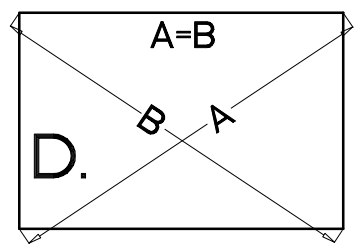
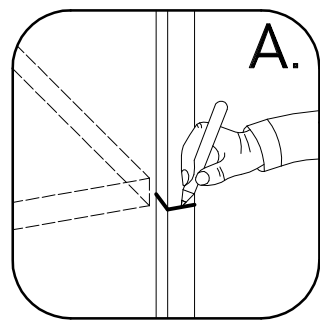


17





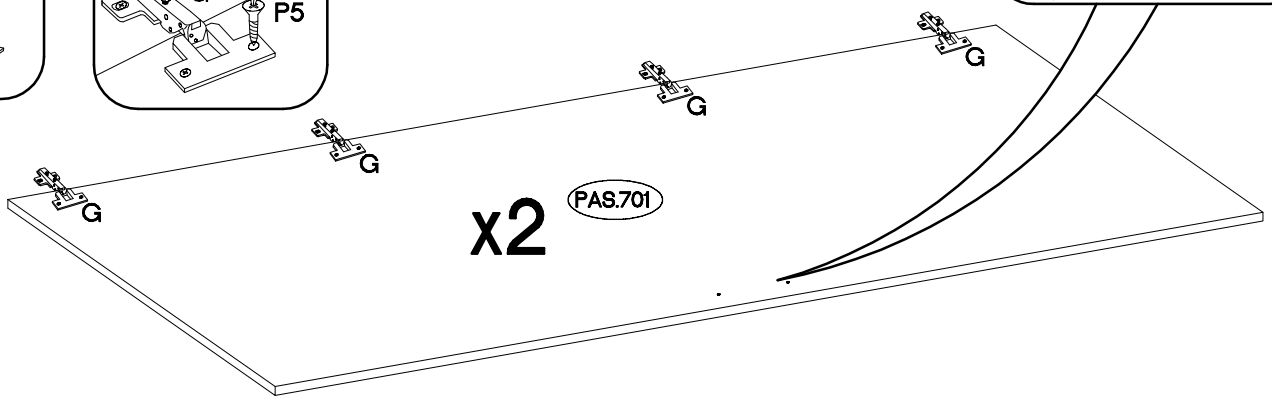
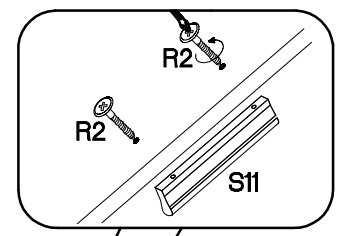
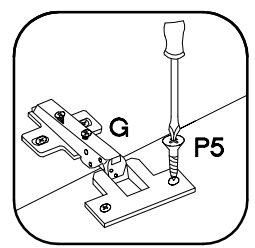
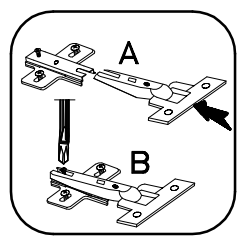
	$\pm 3.0 \times 20 \text{mm}$		
L2		P7	L
8		27	9



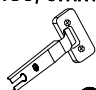
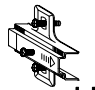

$\pm 35/0 \text{mm}$	H=0	$\pm 3.5 \times 13 \text{mm}$	$\pm 4.0 \times 30 \text{mm}$	L=128mm
G	H	P5	R2	S1
4	4	8	4	2

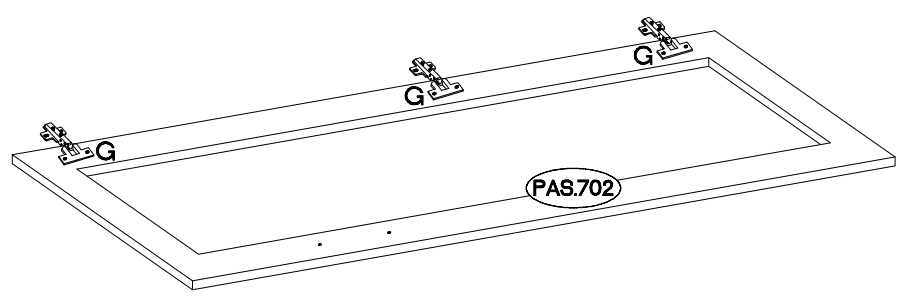
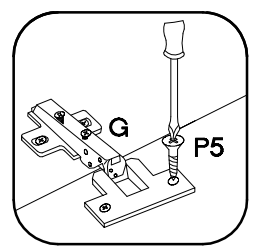
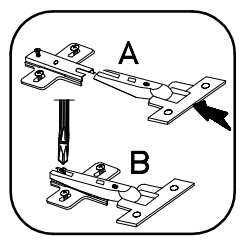
Typ 131 x1

Typ 135 x1

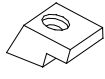



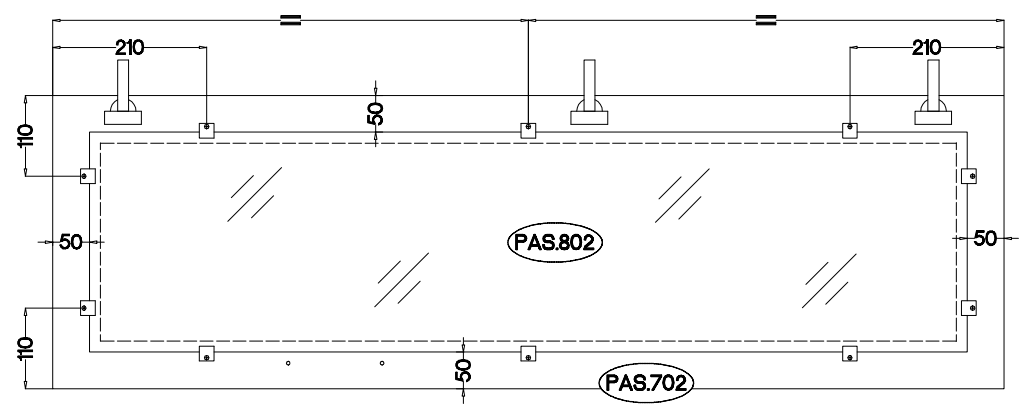
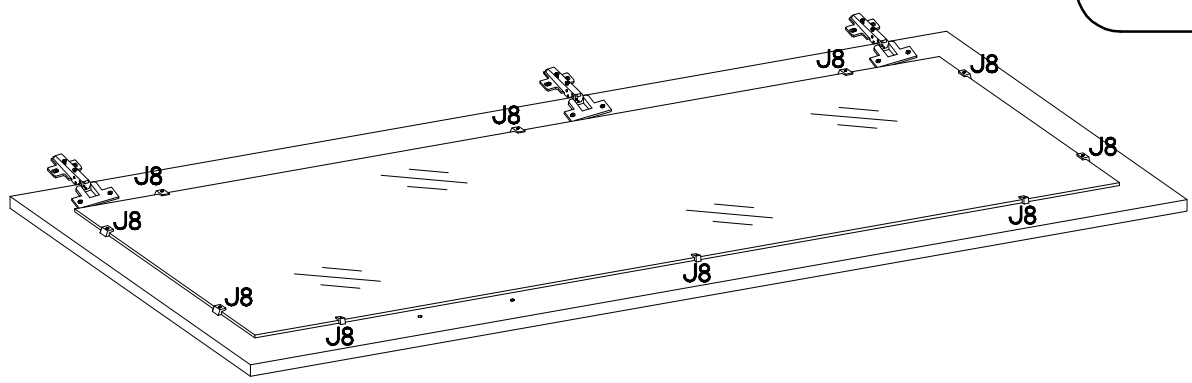
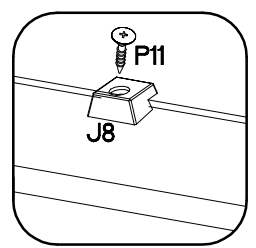
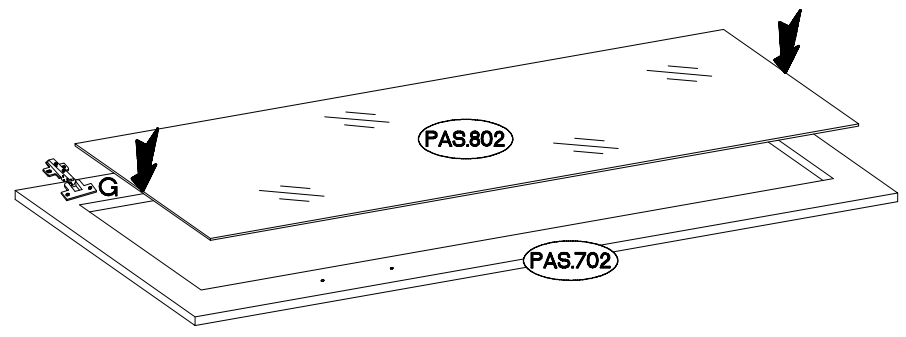
20


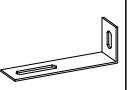



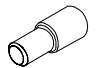
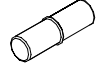
±35/0mm  G 3	H=0  H 3	±3.5x13mm  P5 6
---	---	--

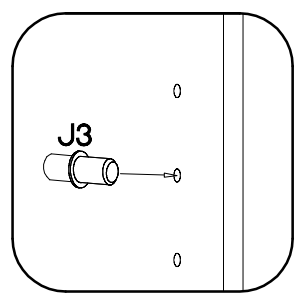
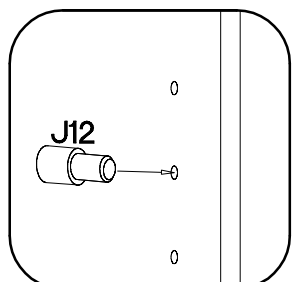
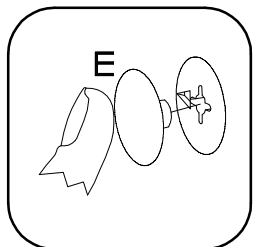
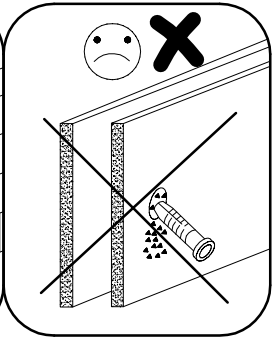
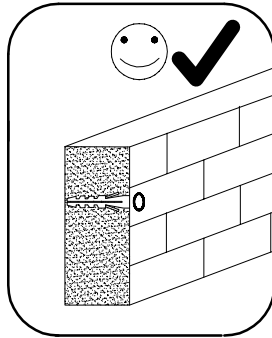
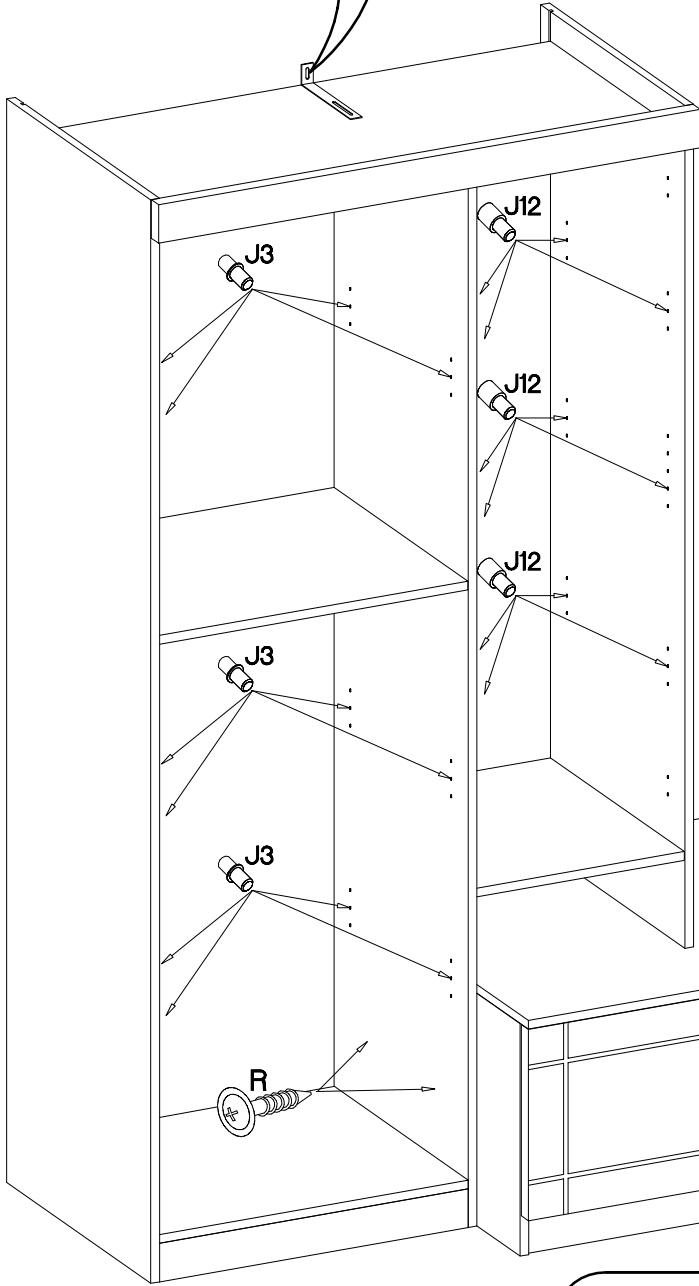
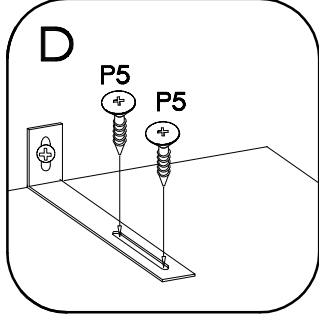
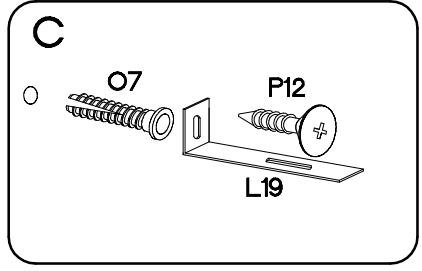
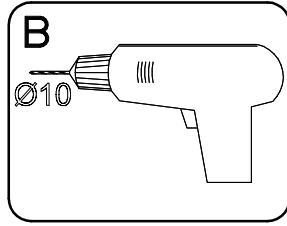
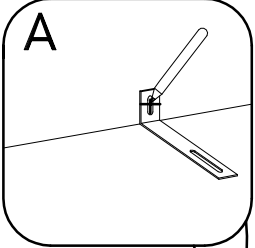
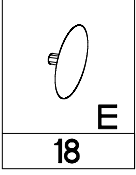


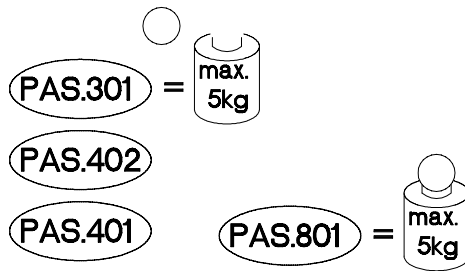
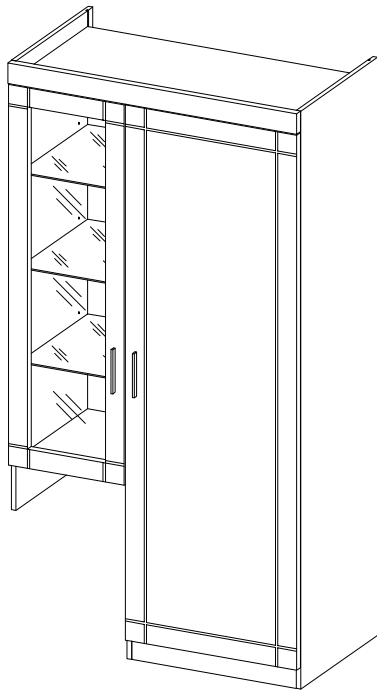
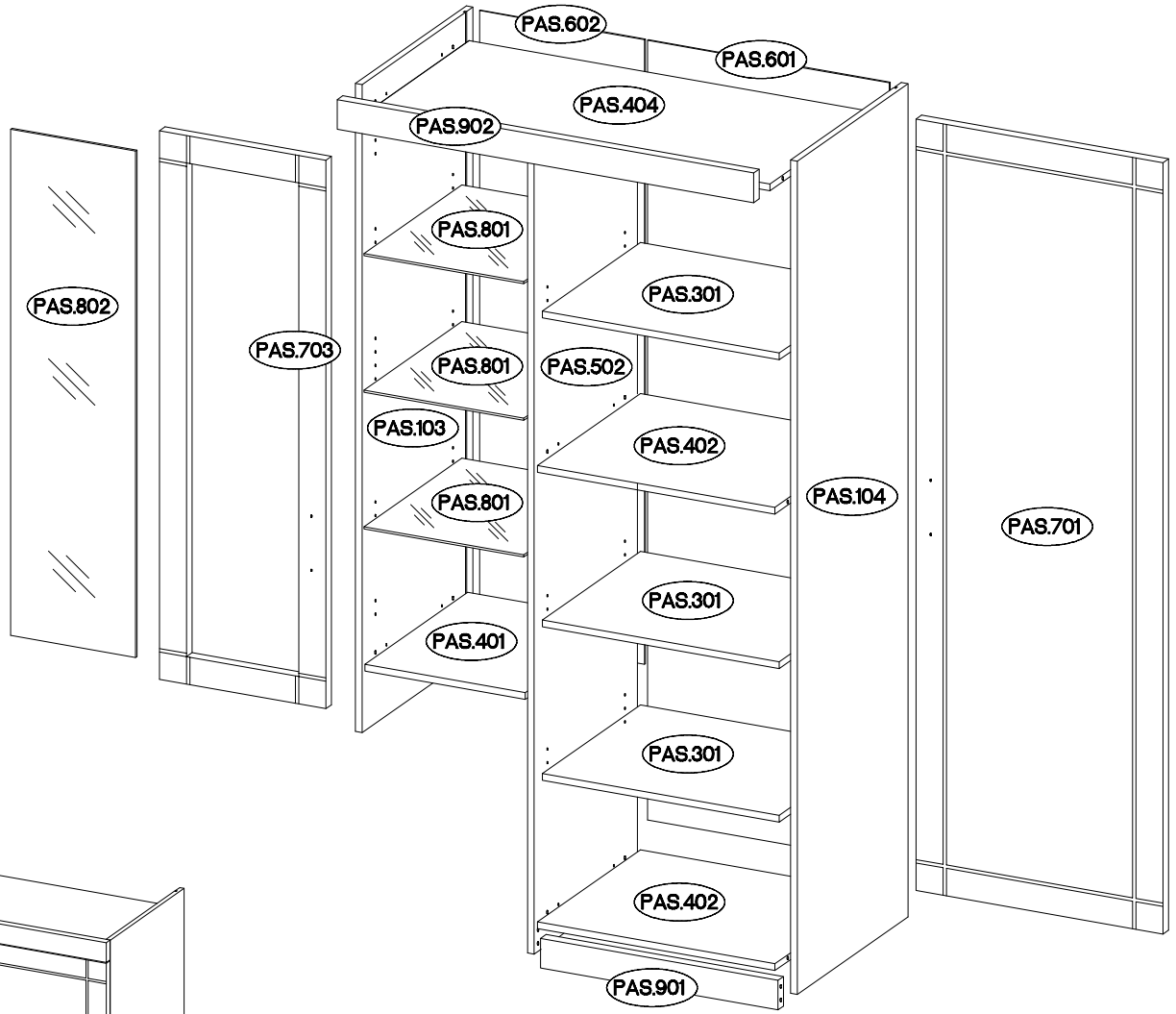
21

 J8 10	±3.0x20mm  P7 10
---	--



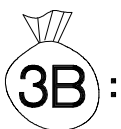
±3.5x13mm  P5 2	 L19 1	±5.0x60mm  P12 1	±10x50mm  O7 1	±4.0x25mm  R 2	±5/16mm  J12 12	 J3 12
--	--	---	---	---	--	---



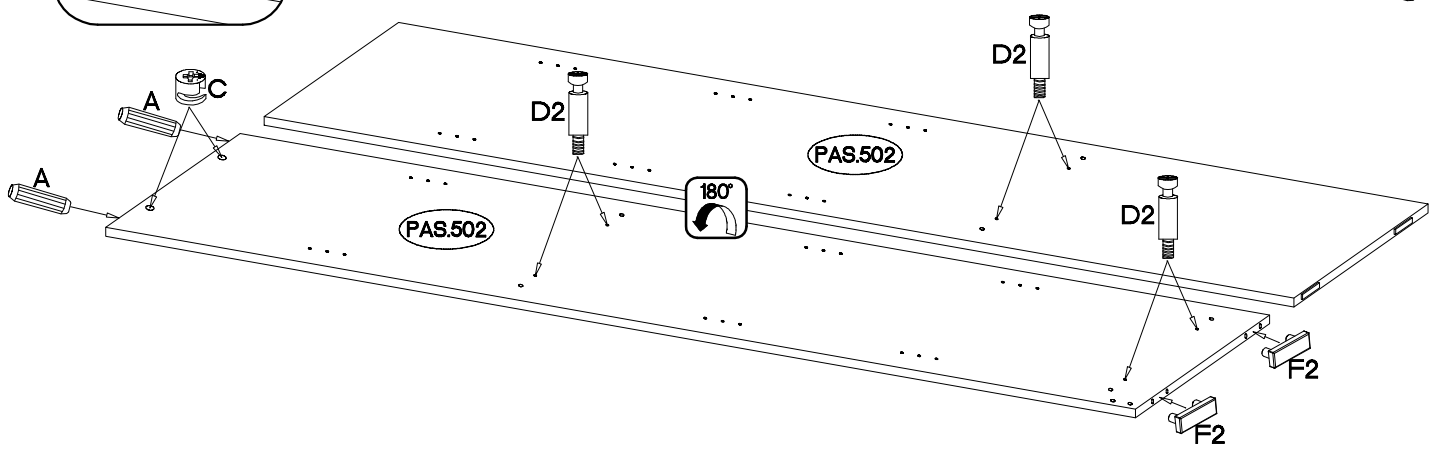
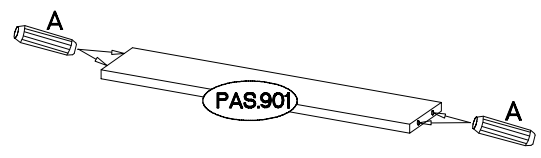
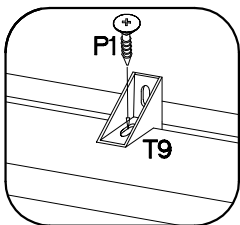
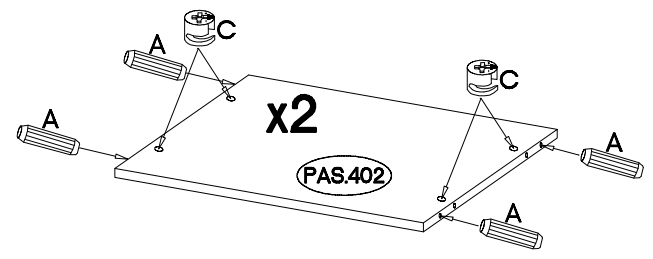
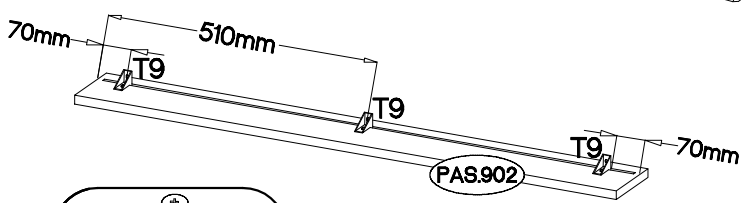
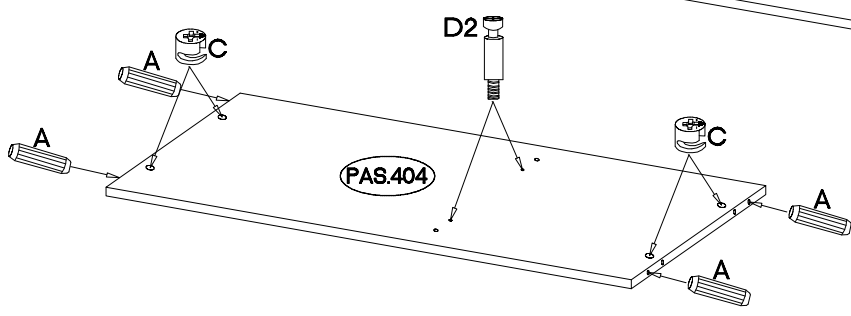
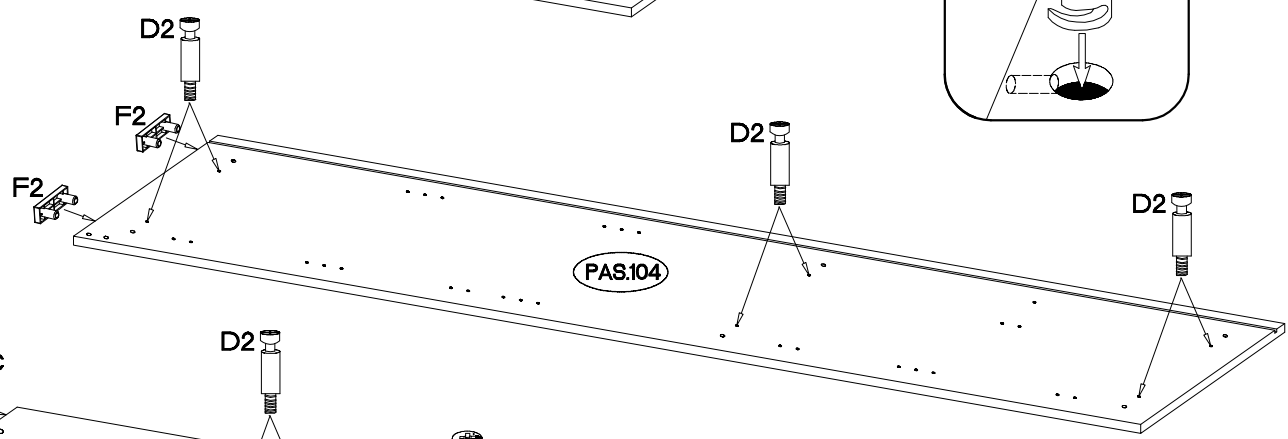
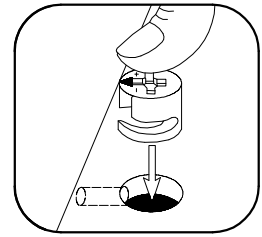
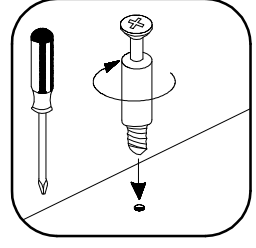
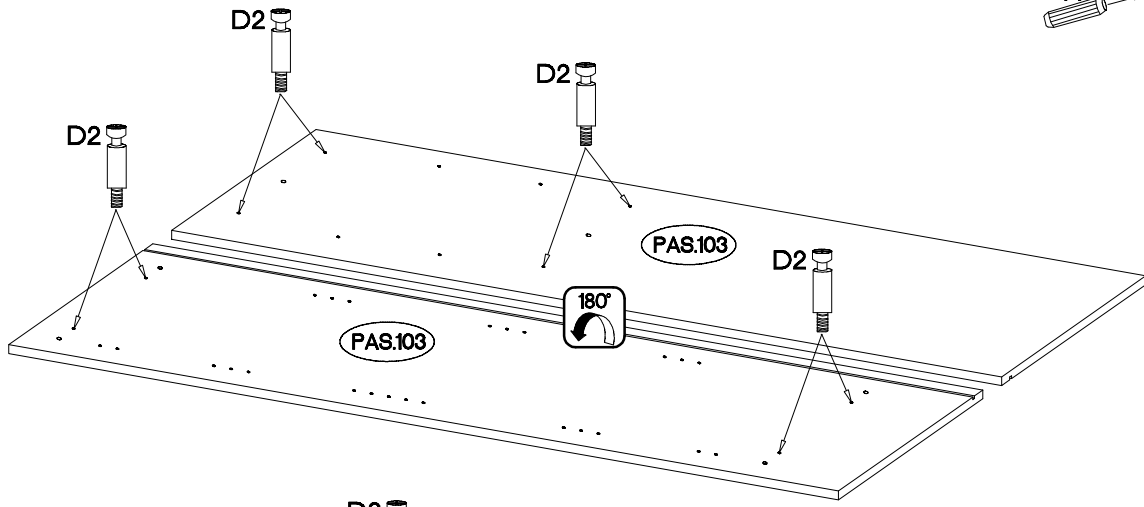
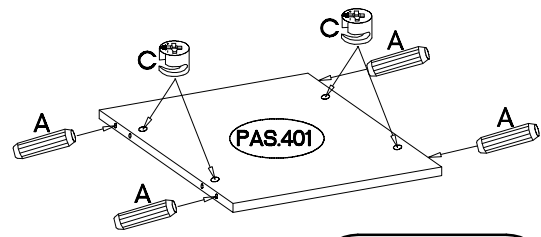


$\pm 4.0 \times 25 \text{mm}$	$\pm 10 \times 50 \text{mm}$
R	O7
2	1

L19	$\pm 5.0 \times 60 \text{mm}$ P12	J8	$\pm 5/16 \text{mm}$ J12	J3	$6.5 \times 48 \times 16$ F2	$\pm 4.0 \times 16 \text{mm}$ P1	T9	L2	$\pm 3.0 \times 20 \text{mm}$ P7
1	1	10	12	12	4	6	3	8	37
$\pm 15/12 \text{mm}$ C	$\pm 8 \times 30 \text{mm}$ A	L=20mm D2	E	$\pm 35/0 \text{mm}$ G	H=0 H	L=128mm S11	$\pm 3.5 \times 13 \text{mm}$ P5	$\pm 4.0 \times 30 \text{mm}$ R2	L
18	22	22	18	7	7	2	16	4	9

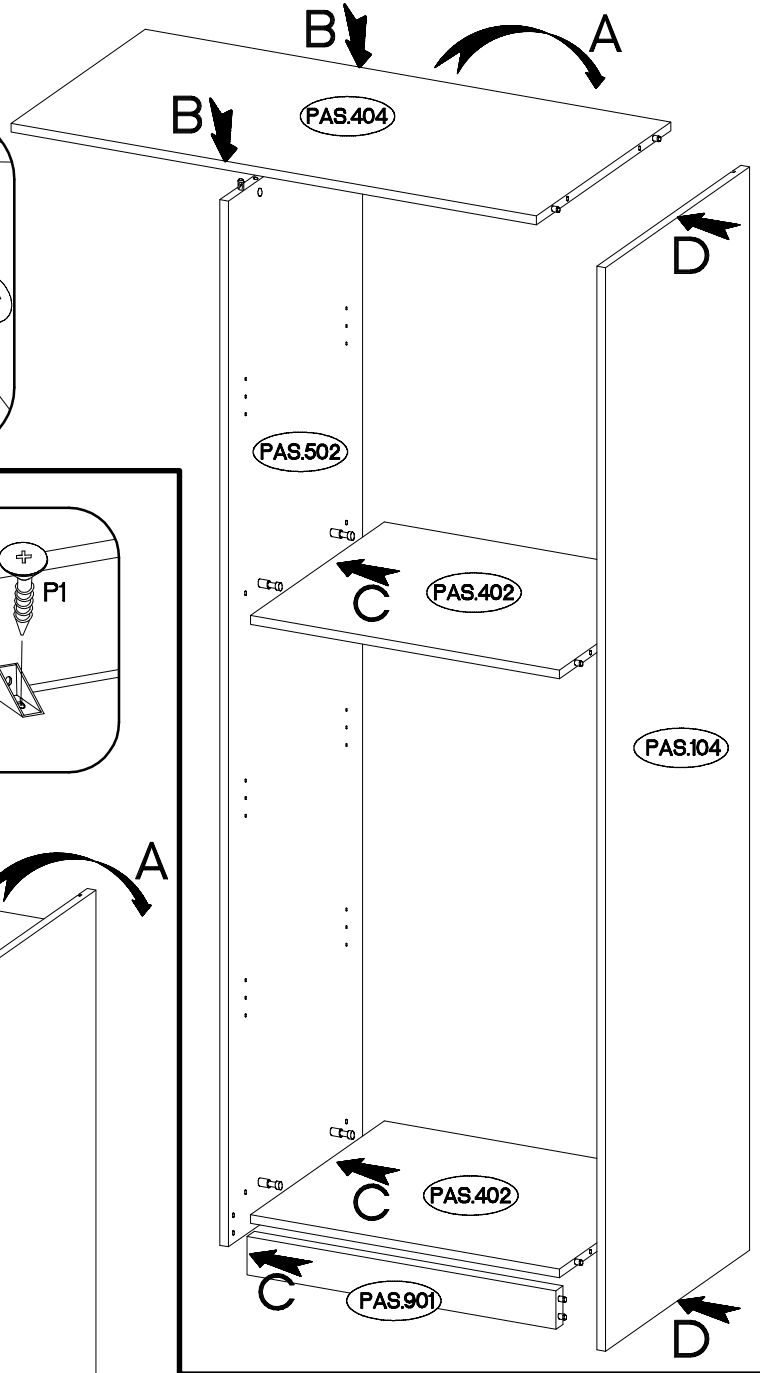
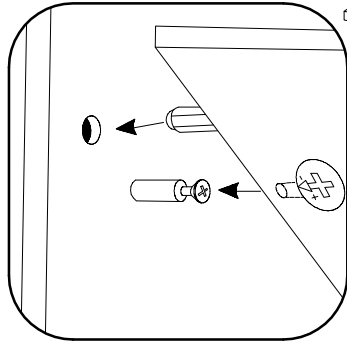
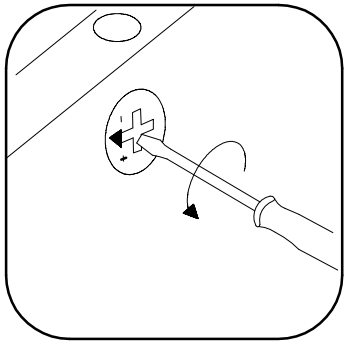


∅15/12mm	∅8x30mm	L=20mm	∅4.0x16mm		6.5x48x16
C	A	D2	P1	T9	F2
18	22	22	3	3	4



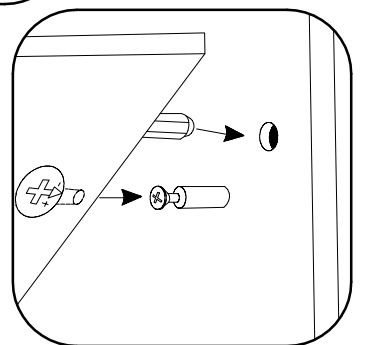
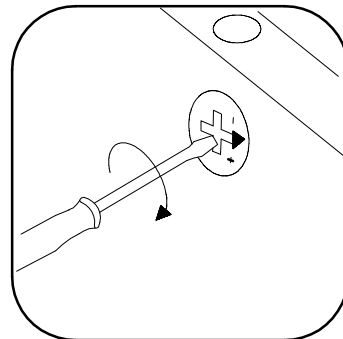
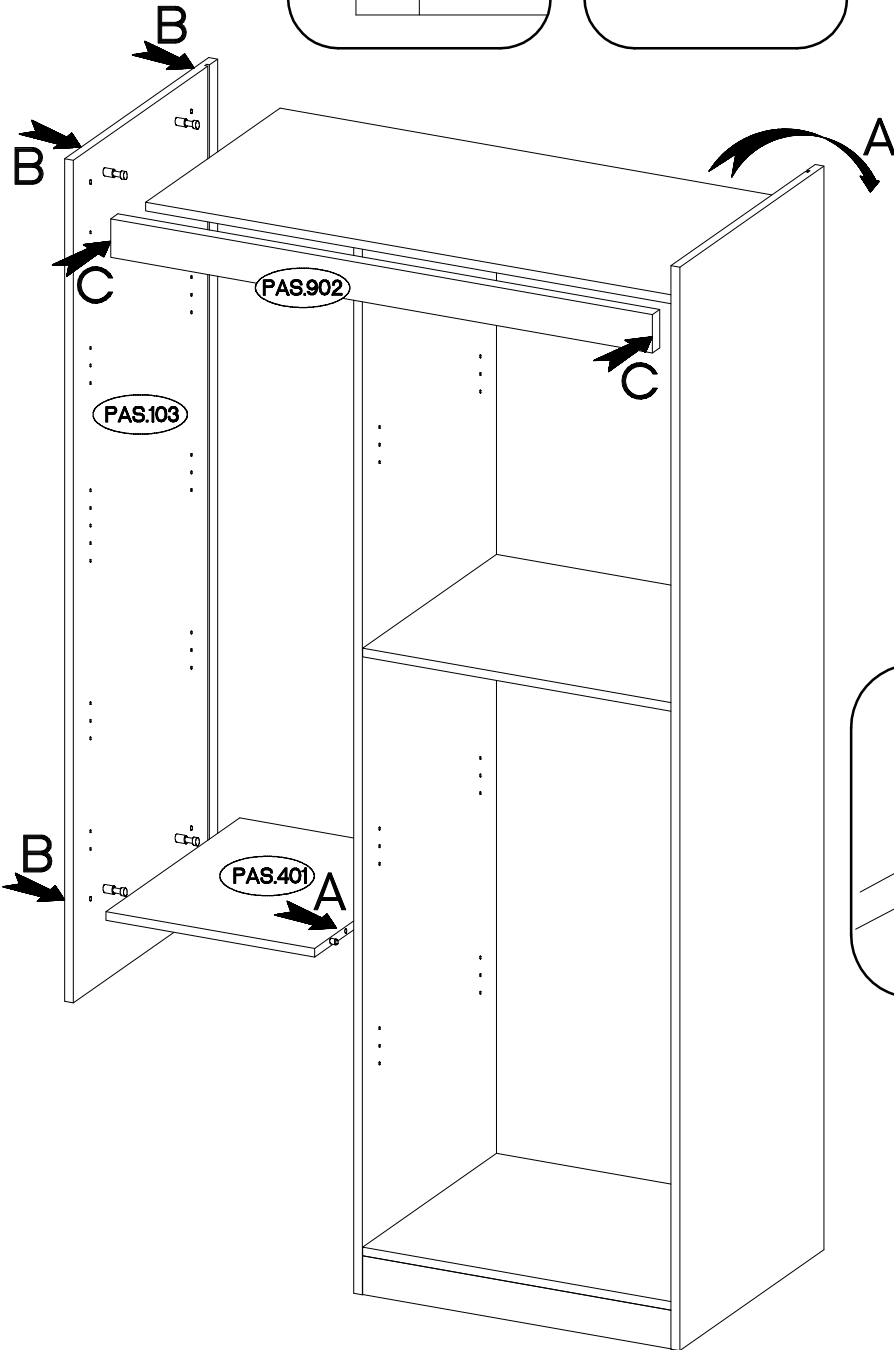
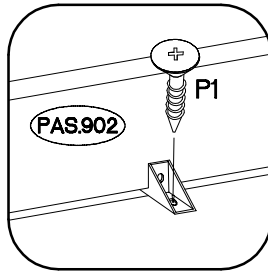
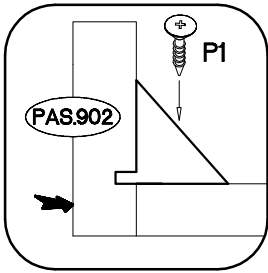


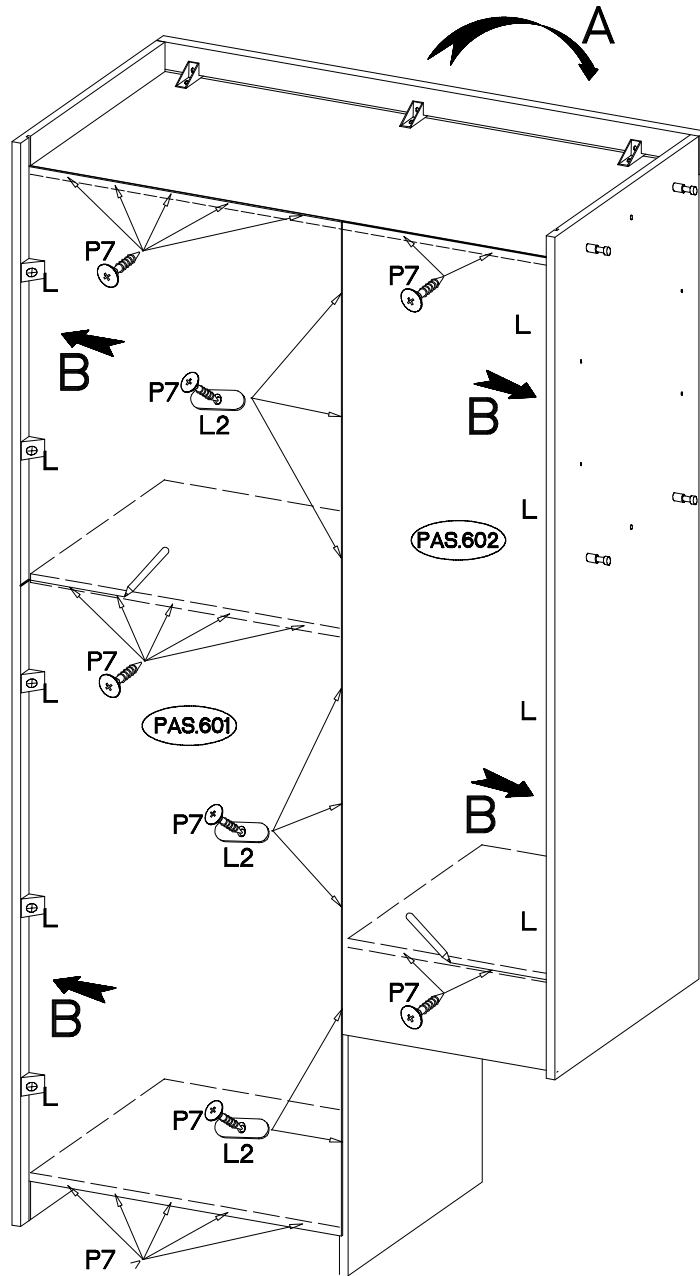
25


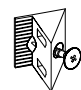
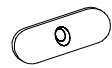


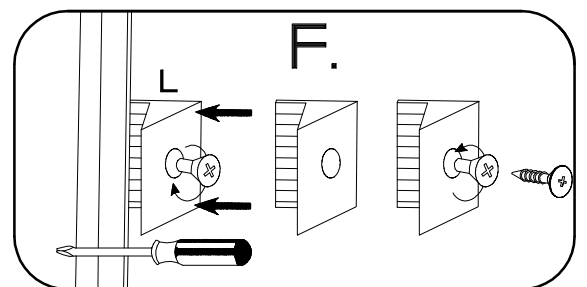
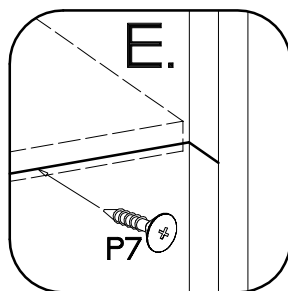
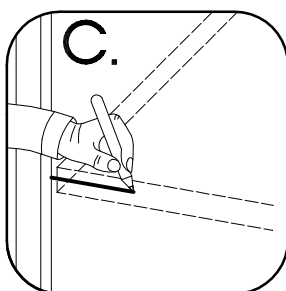
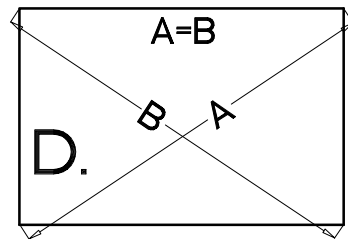
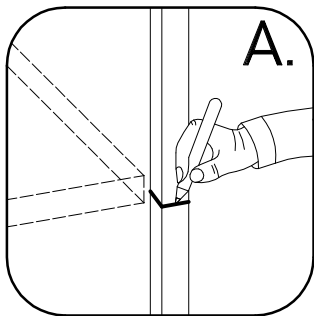
26

4.0x16mm  
P1  
3

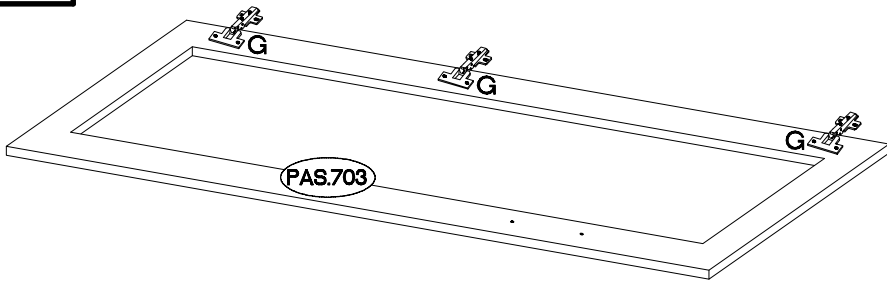




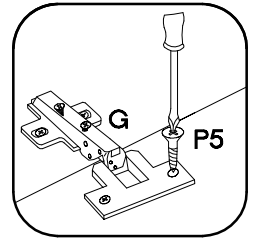
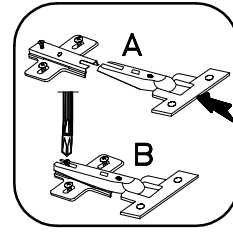
 P7 27	 L 9
	 L2 8



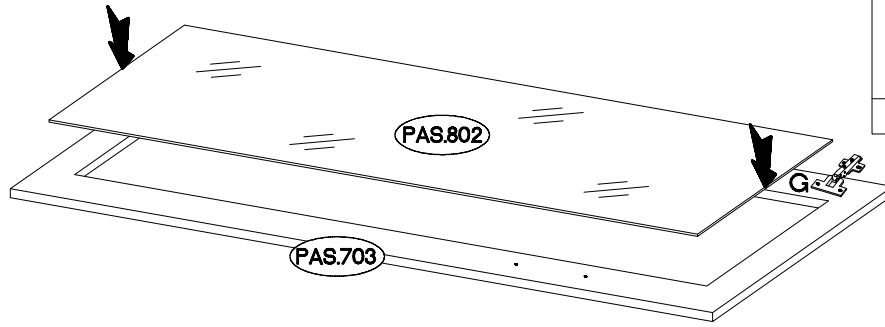
28



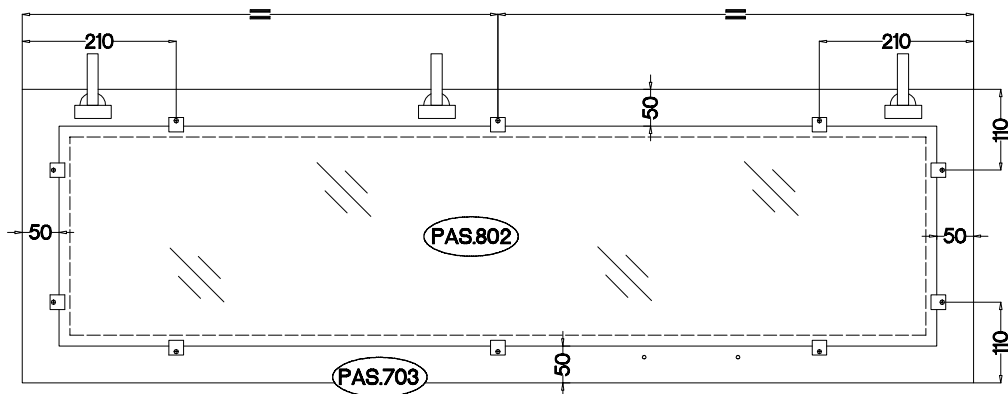
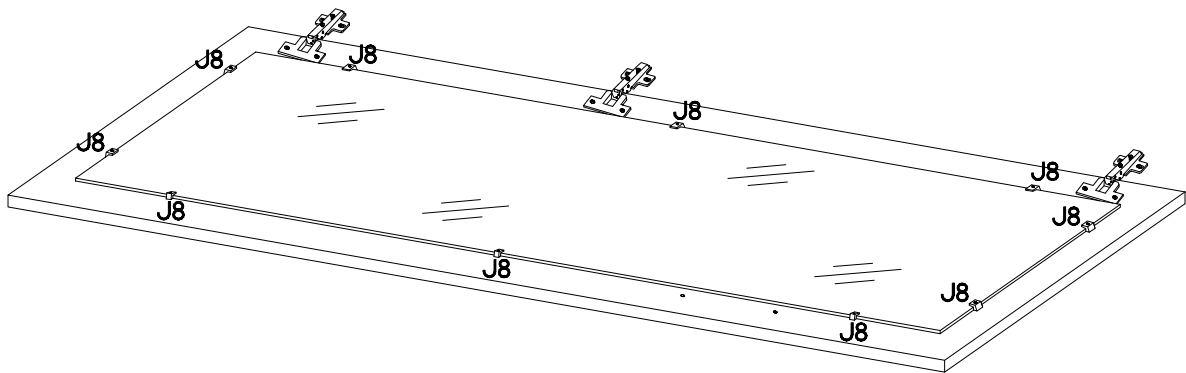
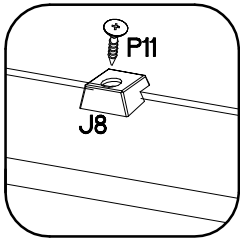
±35/0mm  G 3	H=0  H 3	±3.5x13mm  P5 6
-----------------------	-------------------	--------------------------

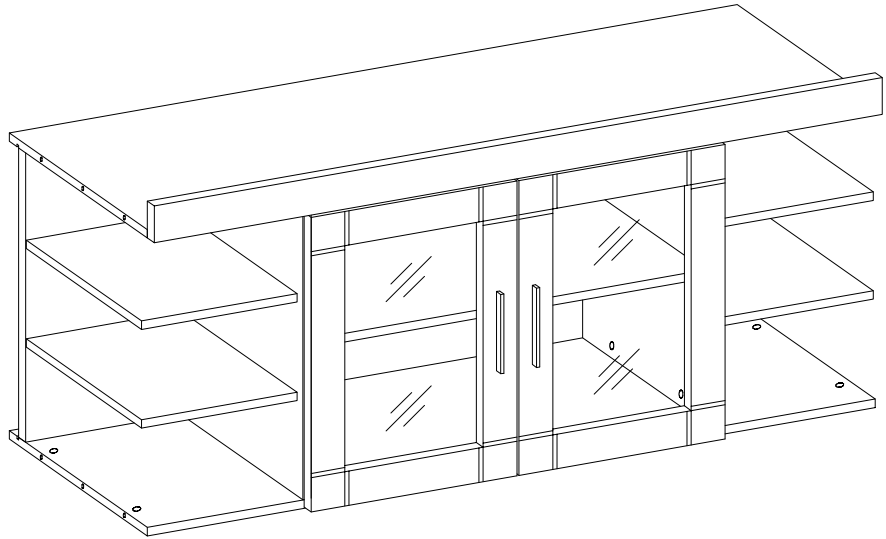


29



 J8 10	±3.0x20mm  P7 10
--------------	---------------------------



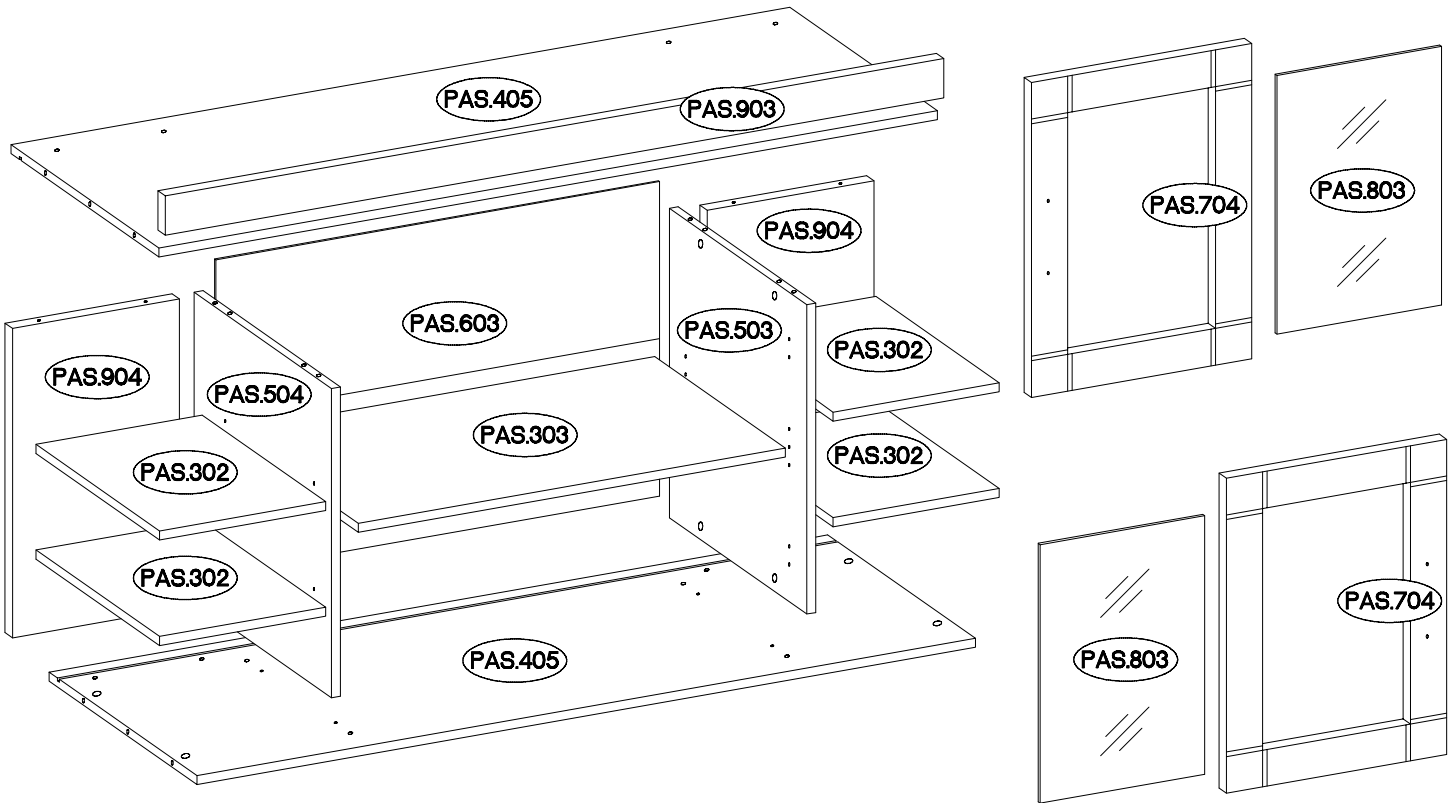


PAS.302

PAS.303 =


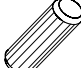

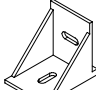



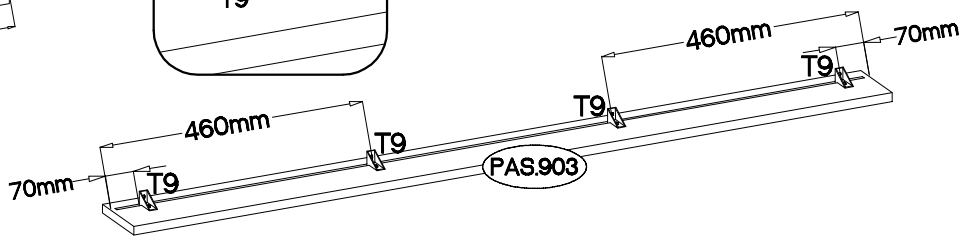
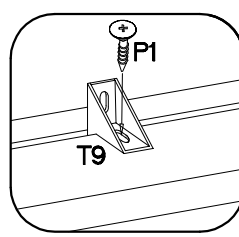
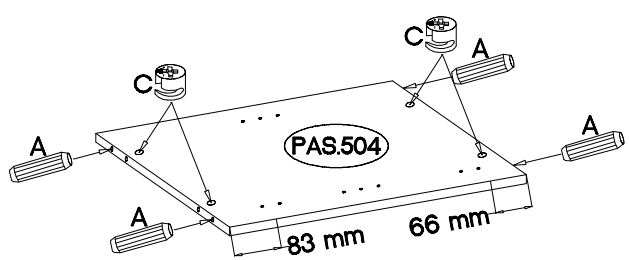
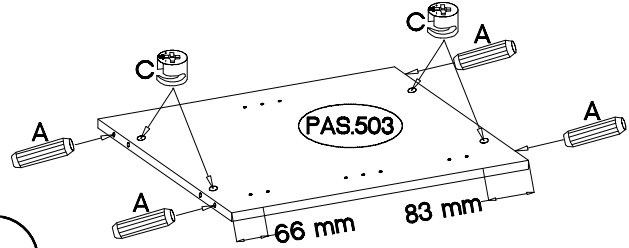
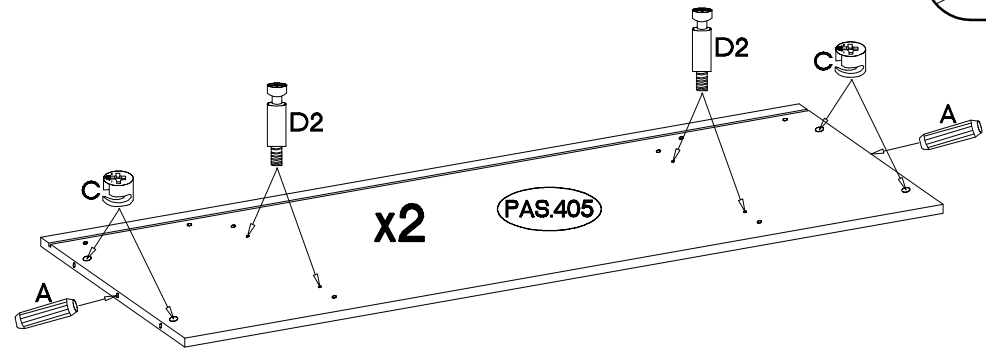
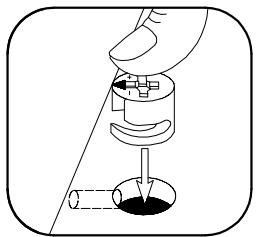
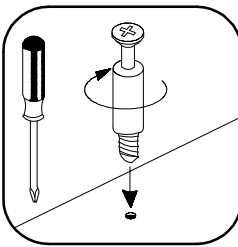
PAS.405



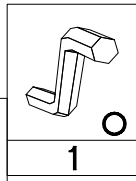
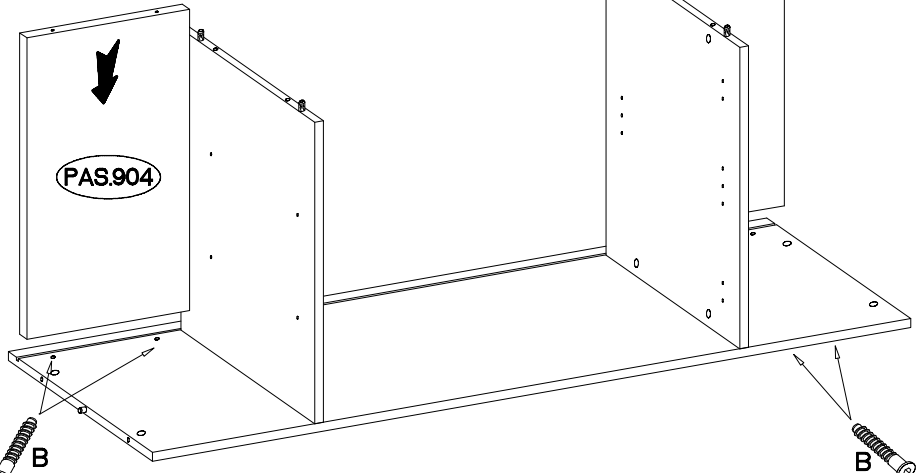
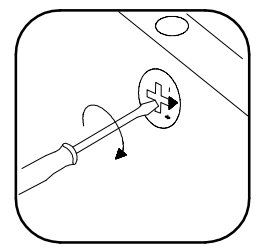
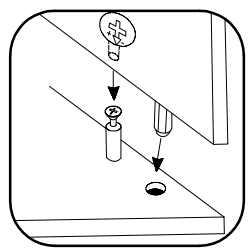
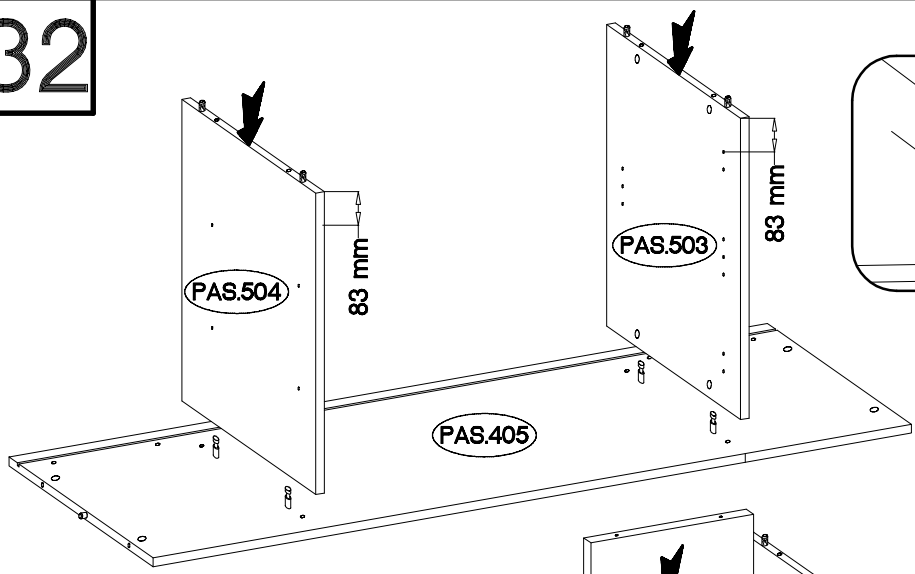
				6,4 x 50mm					
				8	16	20	8	4	28
±15/12mm	±8x30mm	L=20mm		±35/0mm	H=0	L=128mm	±3.5x13mm	±4.0x30mm	
16	12	8	16	4	4	2	8	4	6

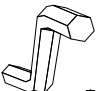


# 31

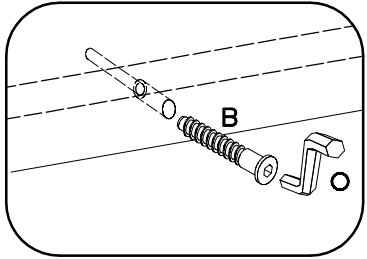
±15/12mm  C 16	±8x30mm  A 12	L=20mm  D2 8	 T9 4	±4.0x16mm  P1 4
---	--	---	---	--



# 32

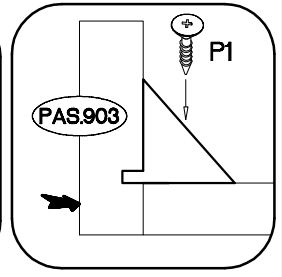
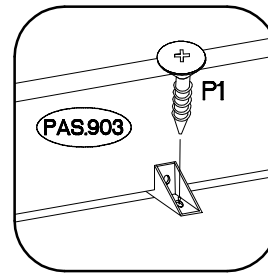
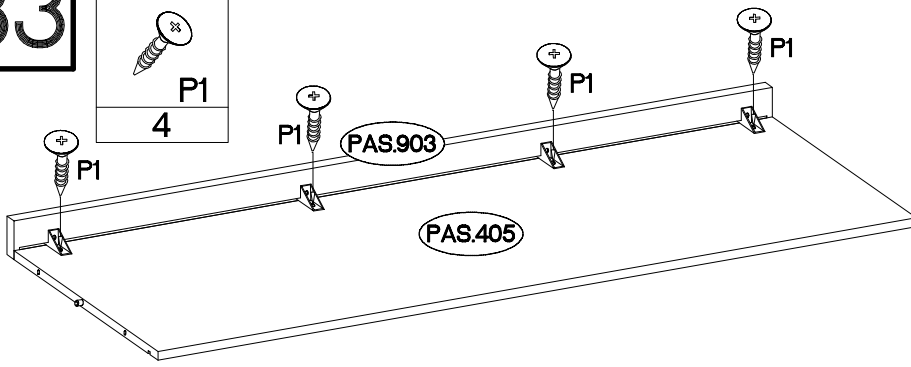


 O 1
 E1 4 6,4 x 50mm
 B 4

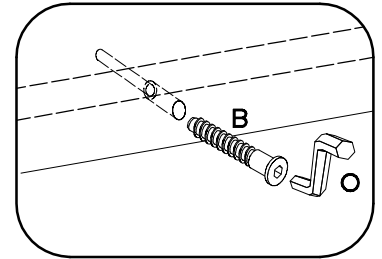
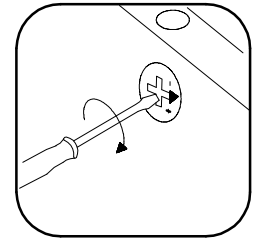
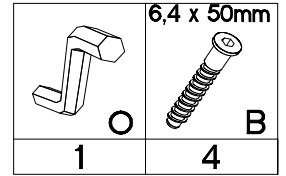
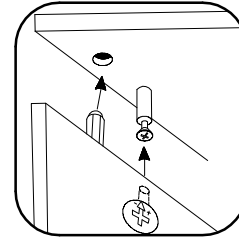
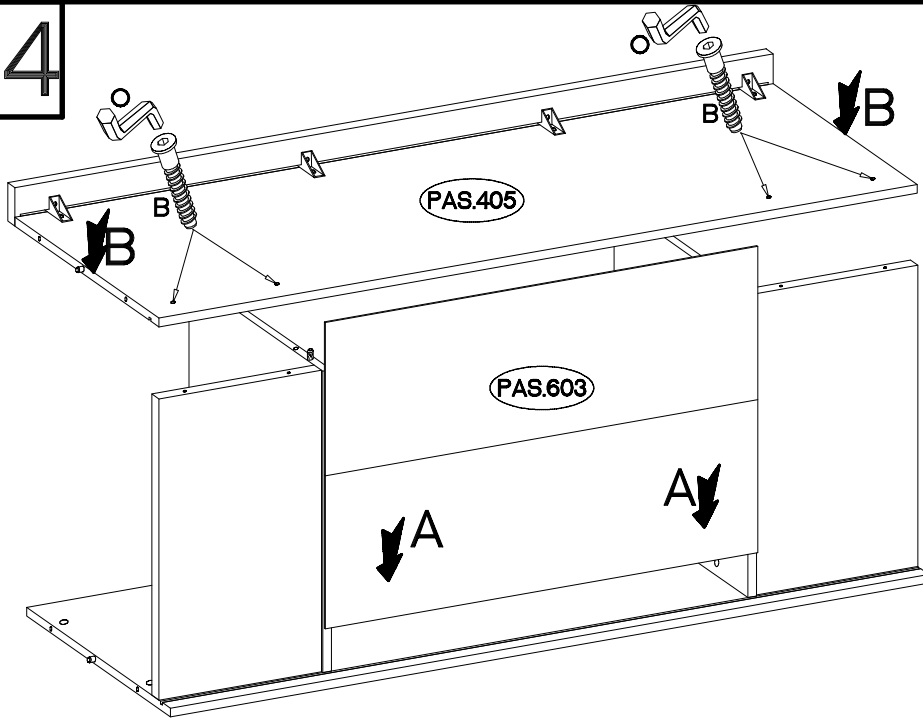


# 33

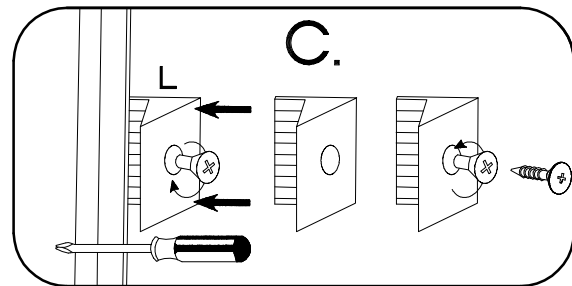
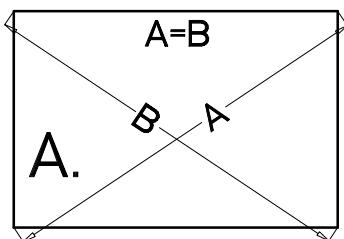
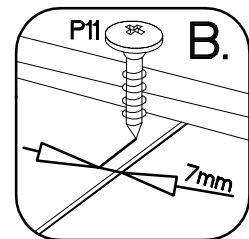
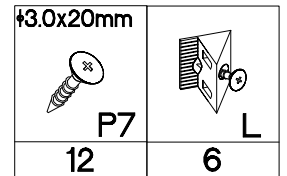
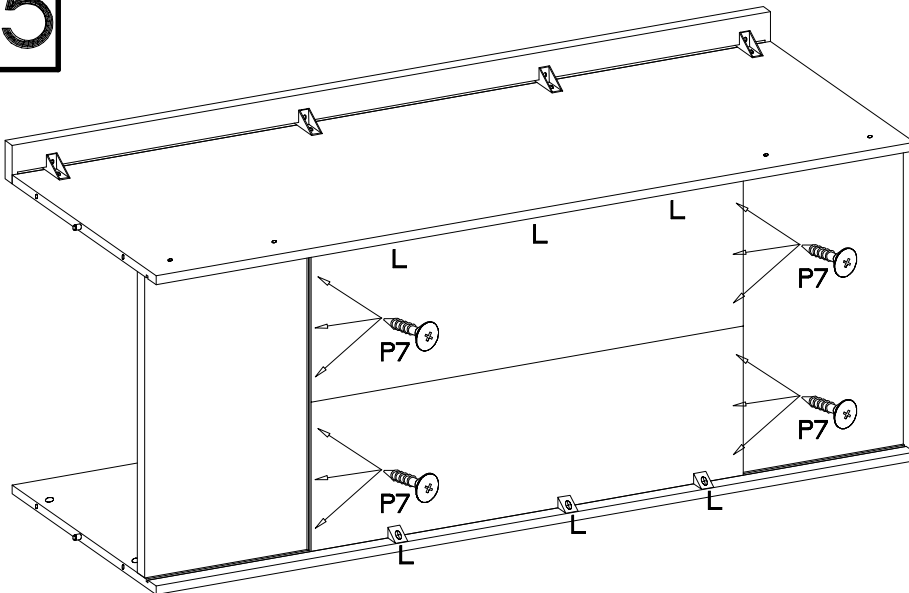
4.0x16mm  
P1  
4



# 34



# 35



# 36

±3.5x13mm

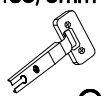


P5

8

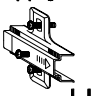
±35/0mm

H=0



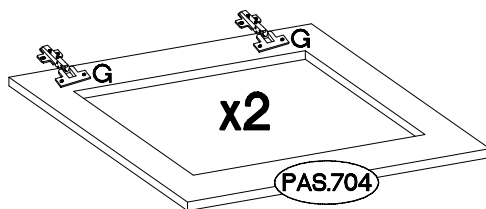
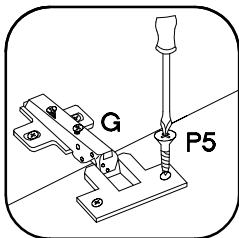
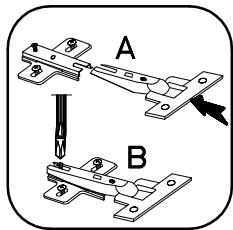
G

4

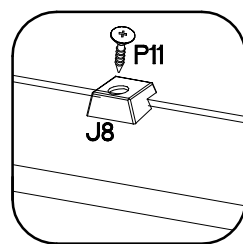
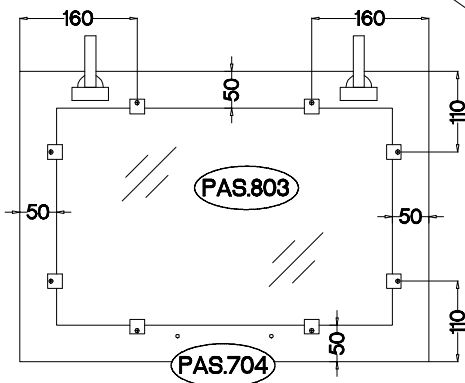
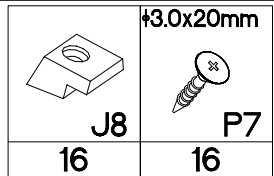
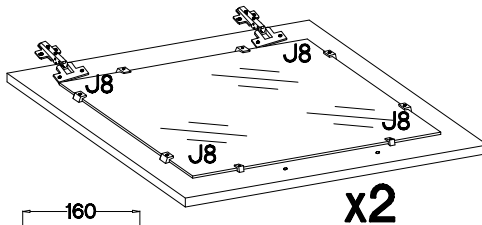
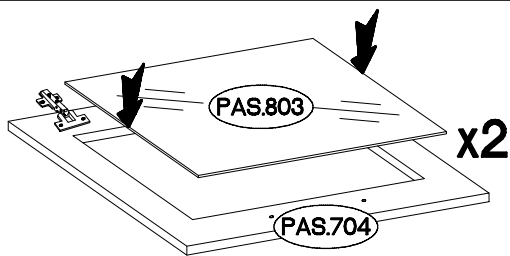


H

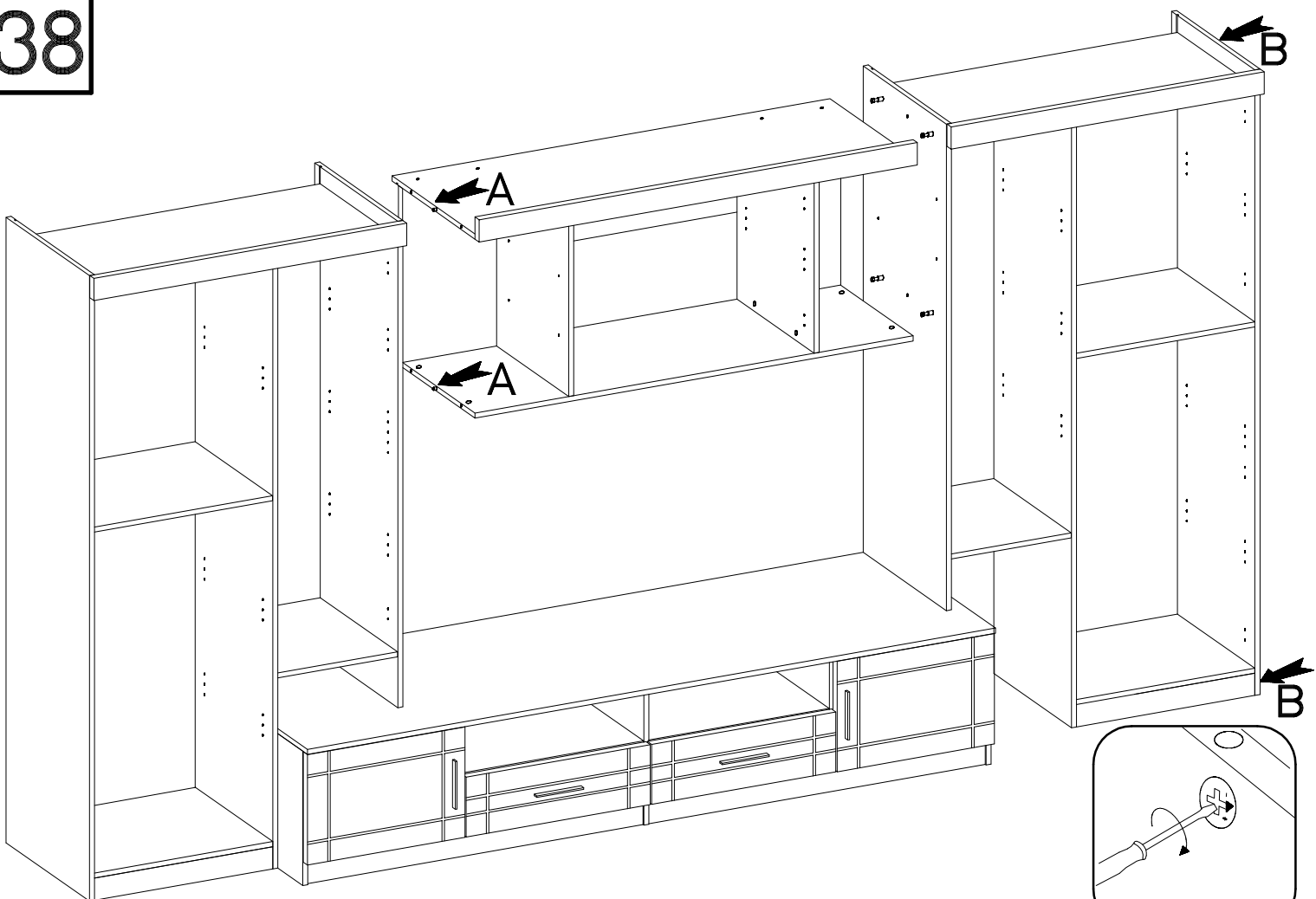
4

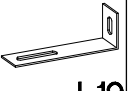






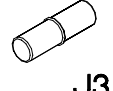
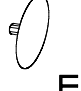
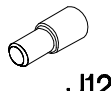
# 37

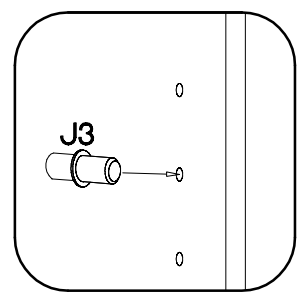
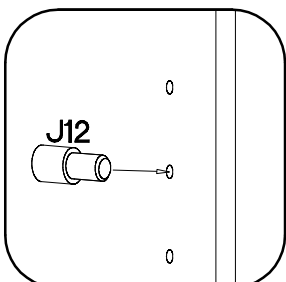
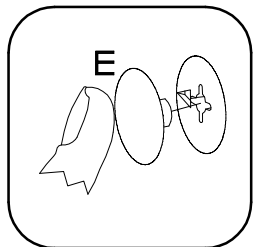
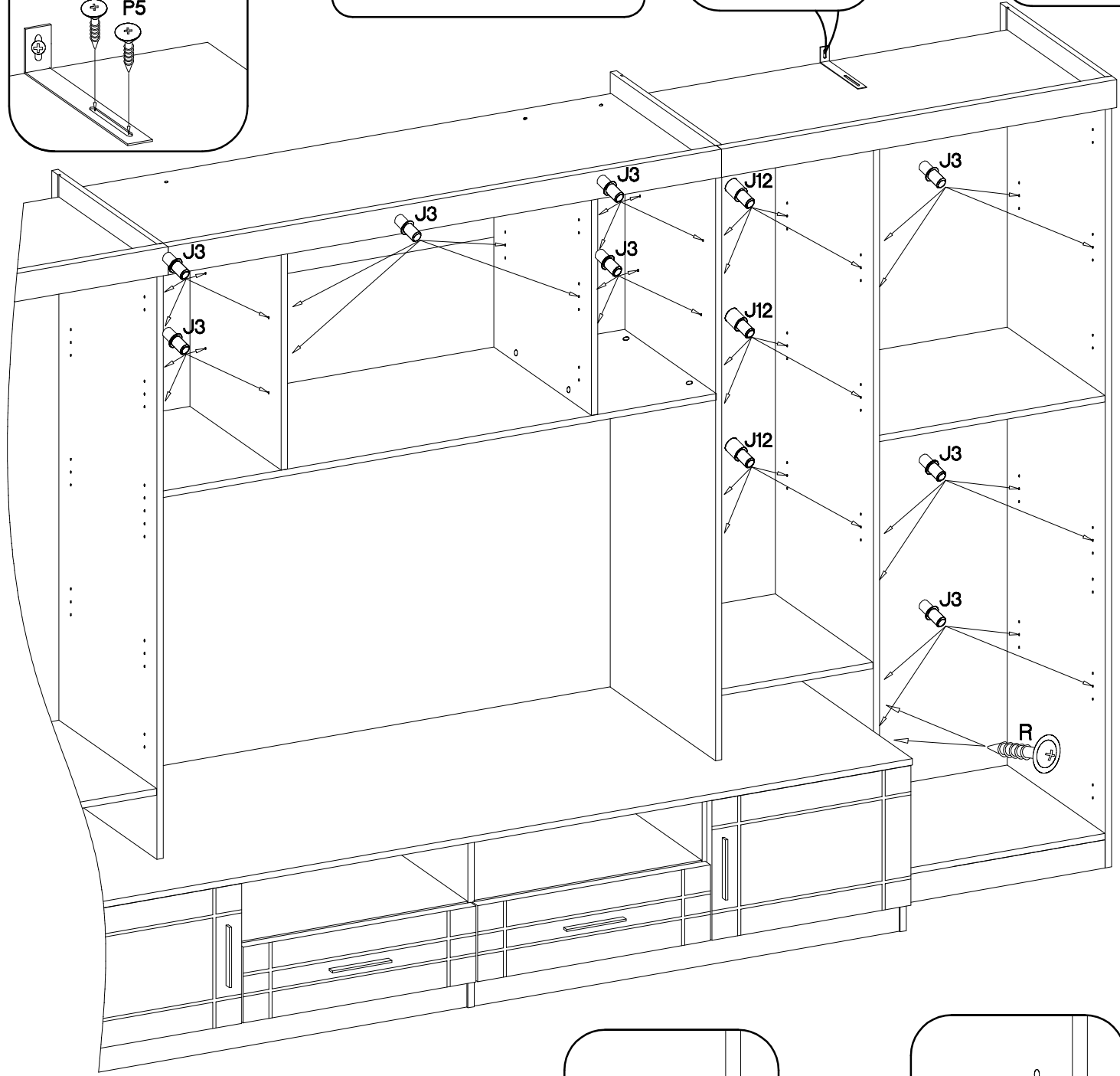
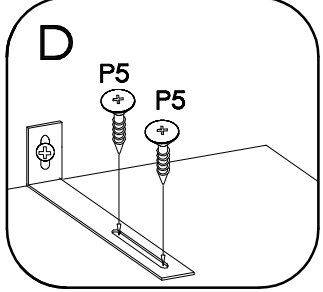
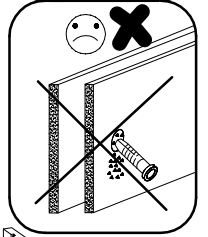
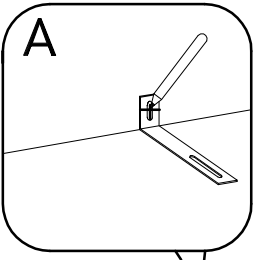
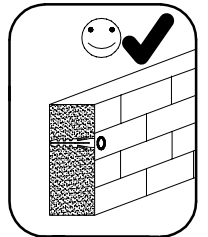
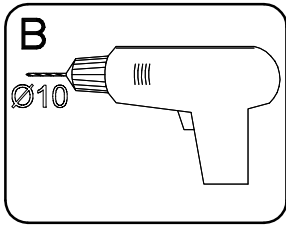
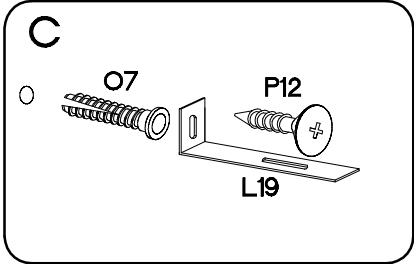


# 38

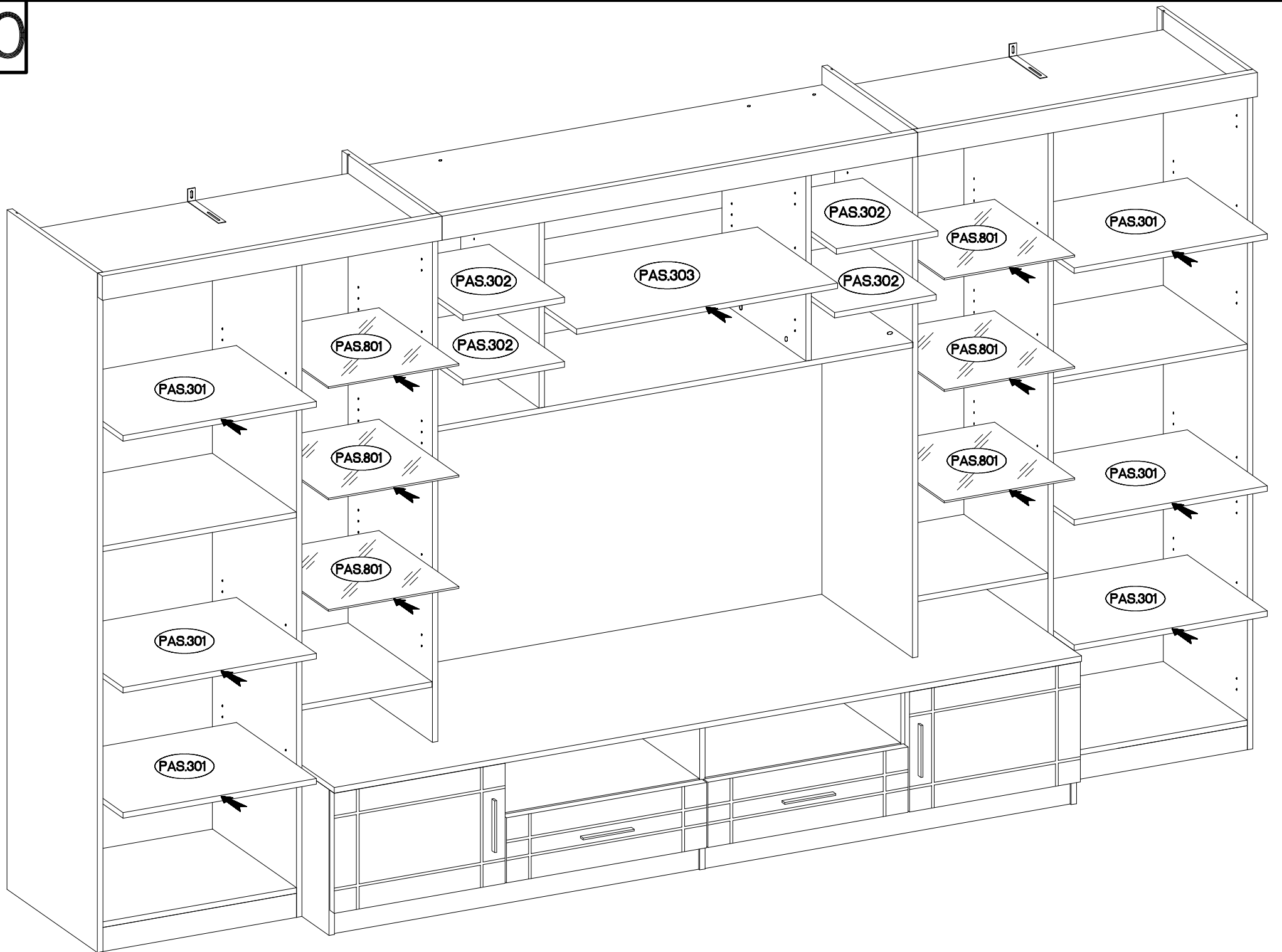


	$\pm 5.0 \times 60 \text{mm}$ 	$\pm 3.5 \times 13 \text{mm}$ 	$\pm 4.0 \times 25 \text{mm}$ 	$\pm 10 \times 50 \text{mm}$ 
L19	P12	P5	R	O7
1	1	2	2	1

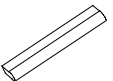

		$\pm 5/16 \text{mm}$ 
J3	E	J12
32	34	12







41

L=128mm	±4.0x30mm
	
S11	R2
4	8

