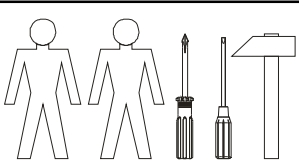
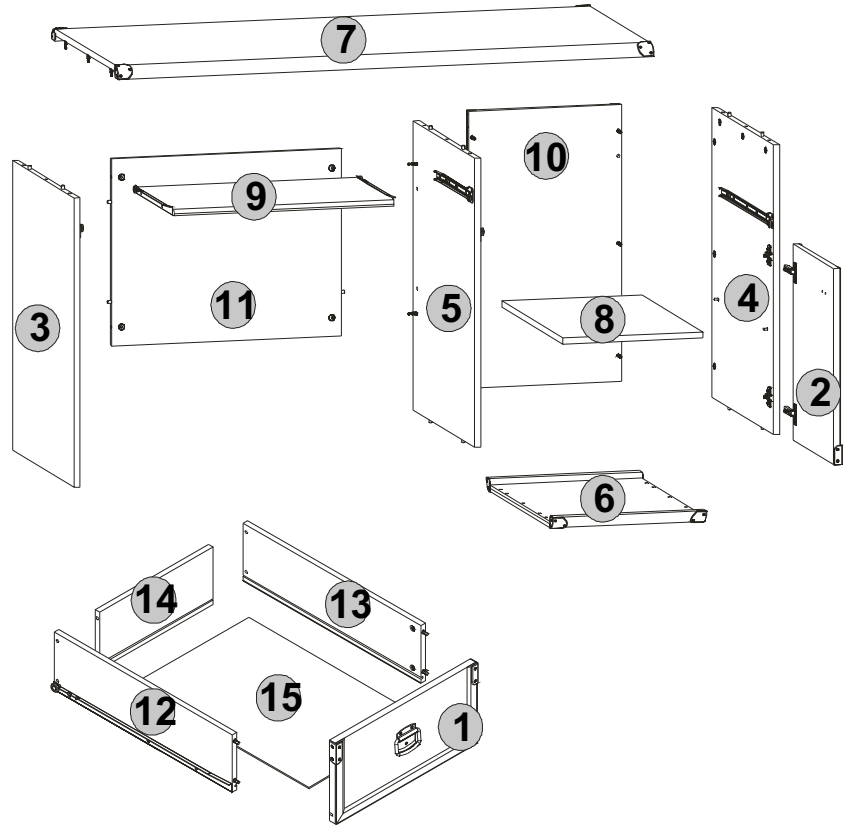
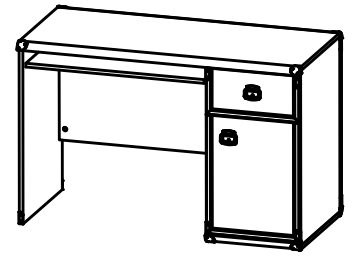


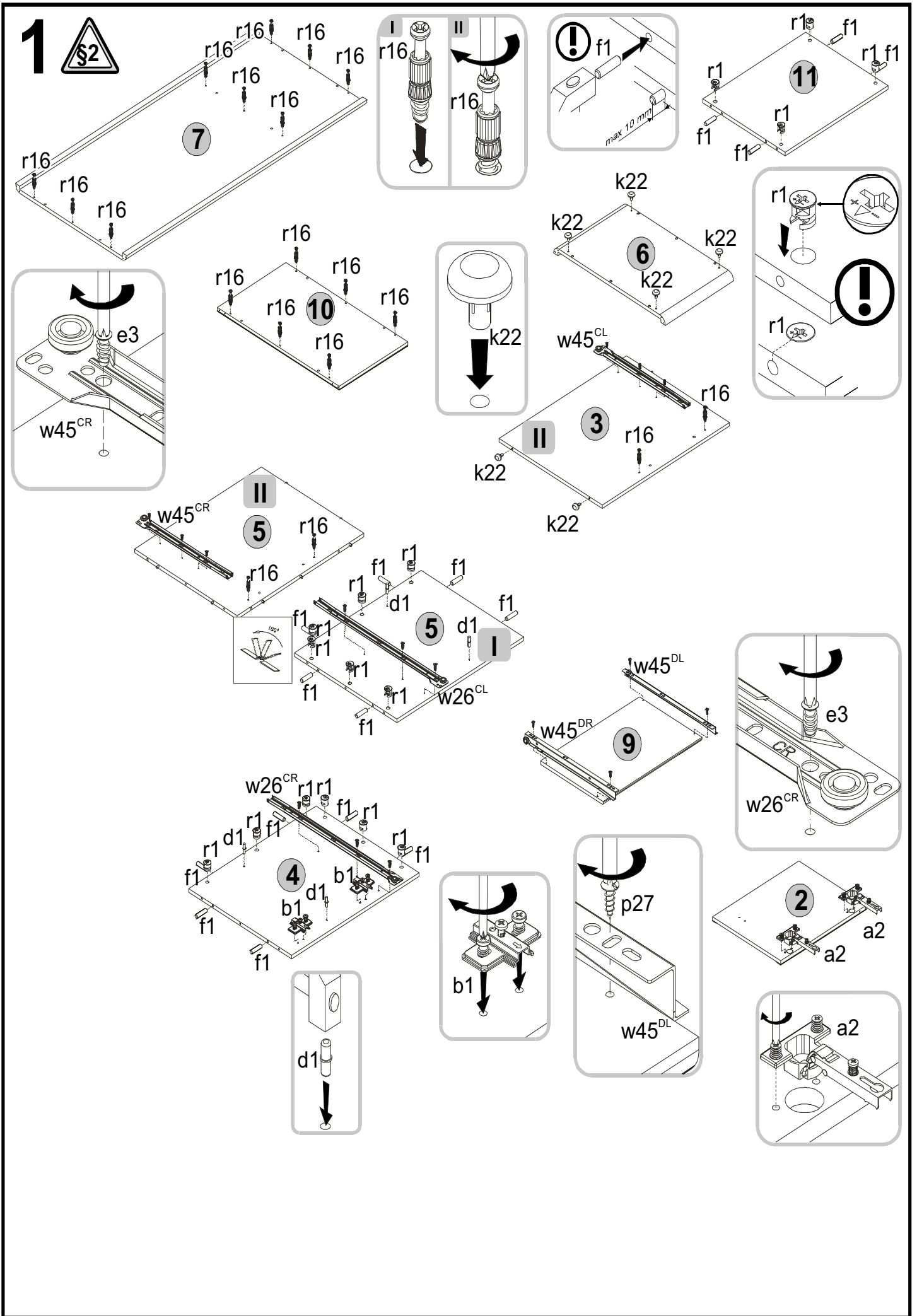
S31

JBIU1d1s

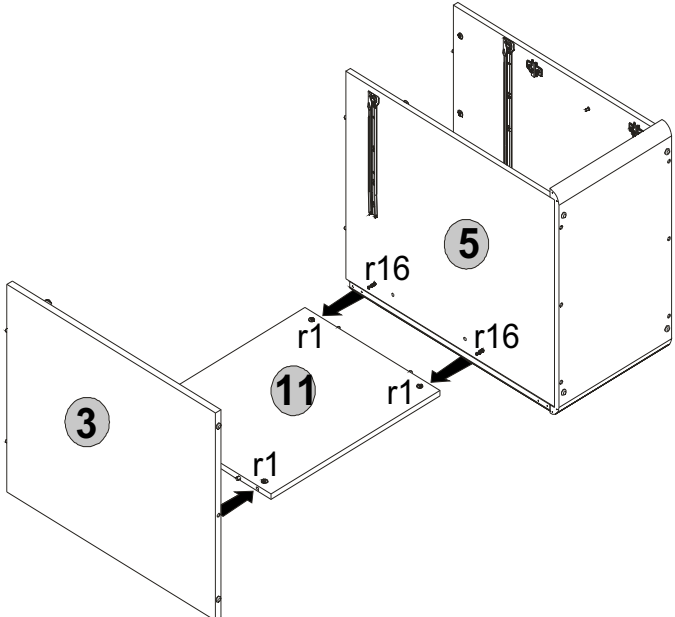
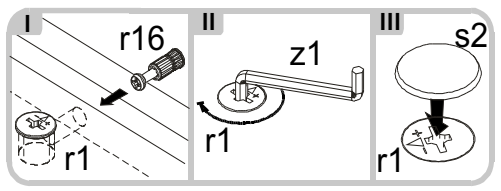
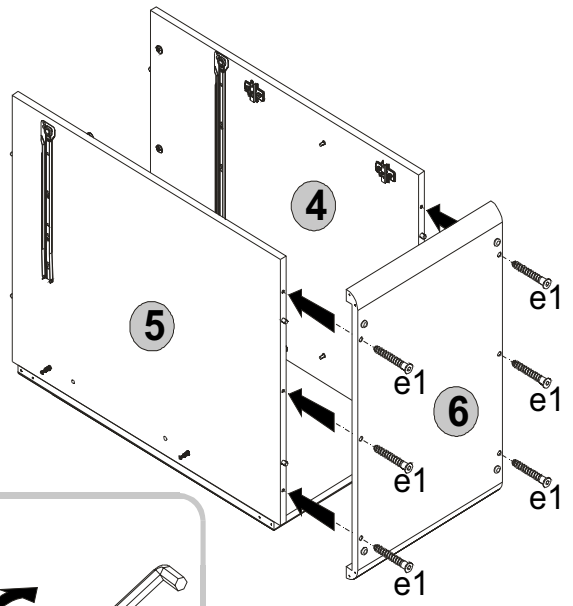
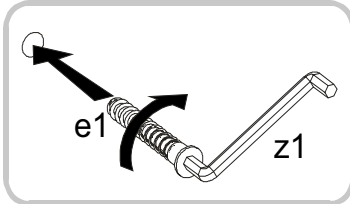
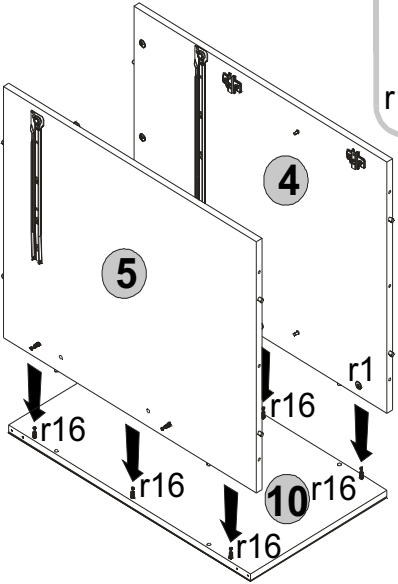
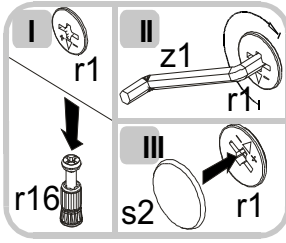
A	B	C	D
1	396x196	S31-0022	4/4
2	503x396	S31-024	4/4
3	758x600	S31-178	1/4
4	742x600	S31-126	1/4
5	742x600	S31-128	1/4
6	400x650	S31-220	3/4
7	1200x650	S31-230	2/4
8	367x595	S31-316	3/4
9	759x365	S31-318	1/4
10	710x400	S31-401	4/4
11	784x480	S31-440	2/4
12	500x140	S31-5501	2/4
13	500x140	S31-5502	2/4
14	310x140	S31-5512	2/4
15	320x498	S31-9918	2/4



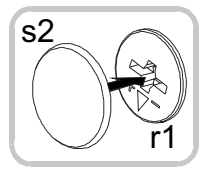
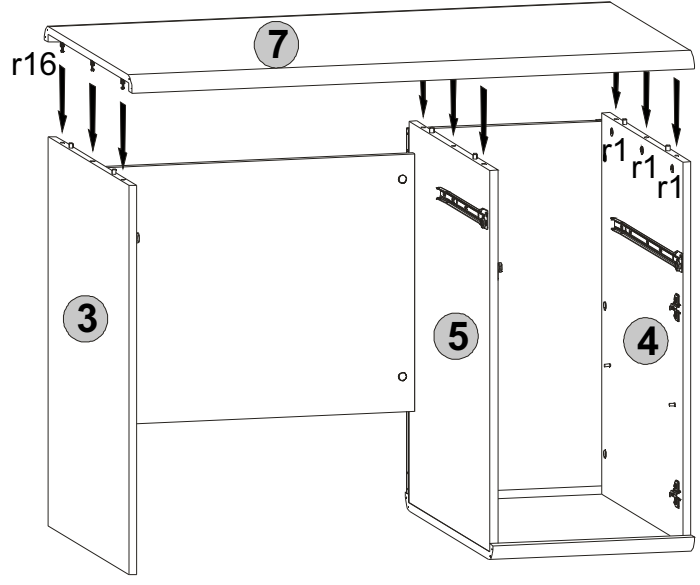
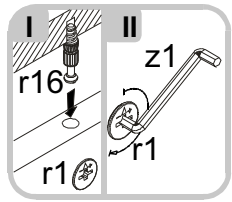
2x a2	2x b1	2x c158 32 mm	4x d1 x17 mm	6x e1 7x50 mm	12x e3 x13 mm	6x e19 x9 mm	18x f1 x 30mm
4x f25 x40 mm	4x j30 M4x22 mm	6x k22	8x l27	4x l28 ^L	4x l28 ^P	4x p27 x13 mm	32x p83 x12 mm
23x r1 x12mm	23x r16	16x s2 1 6	1x w26 ^{CL} 500 mm	1x w26 ^{CR} 500 mm	1x w26 ^{DL} 500 mm	1x w26 ^{DR} 500 mm	
1x w45 ^{CL} 350 mm	1x w45 ^{CR} 350 mm	1x w45 ^{DL} 350 mm	1x w45 ^{DR} 350 mm	1x z1			



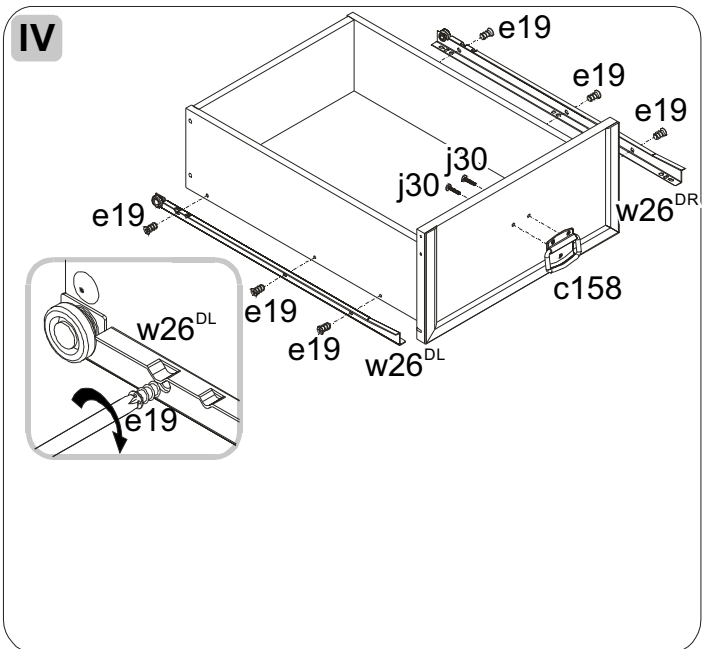
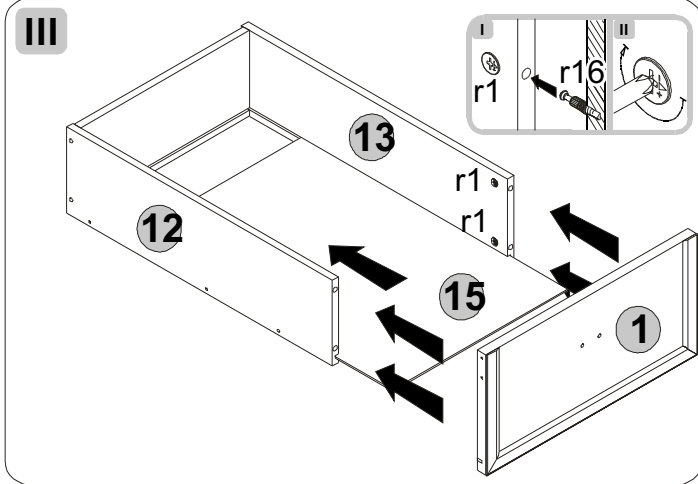
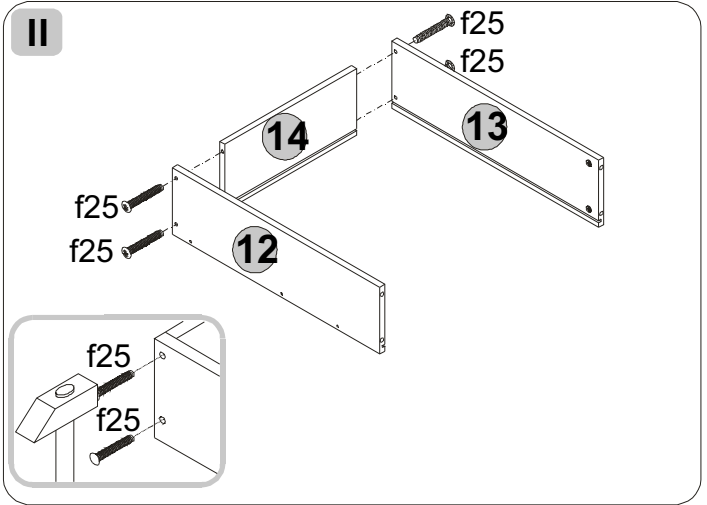
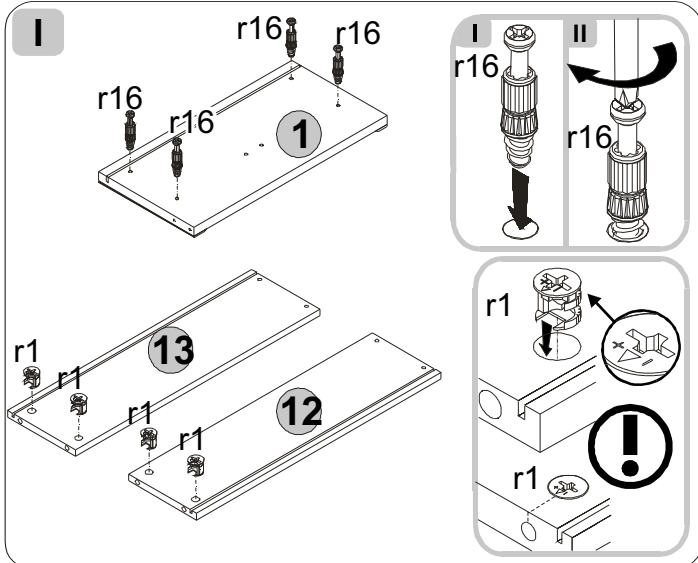
2



3



6



7

