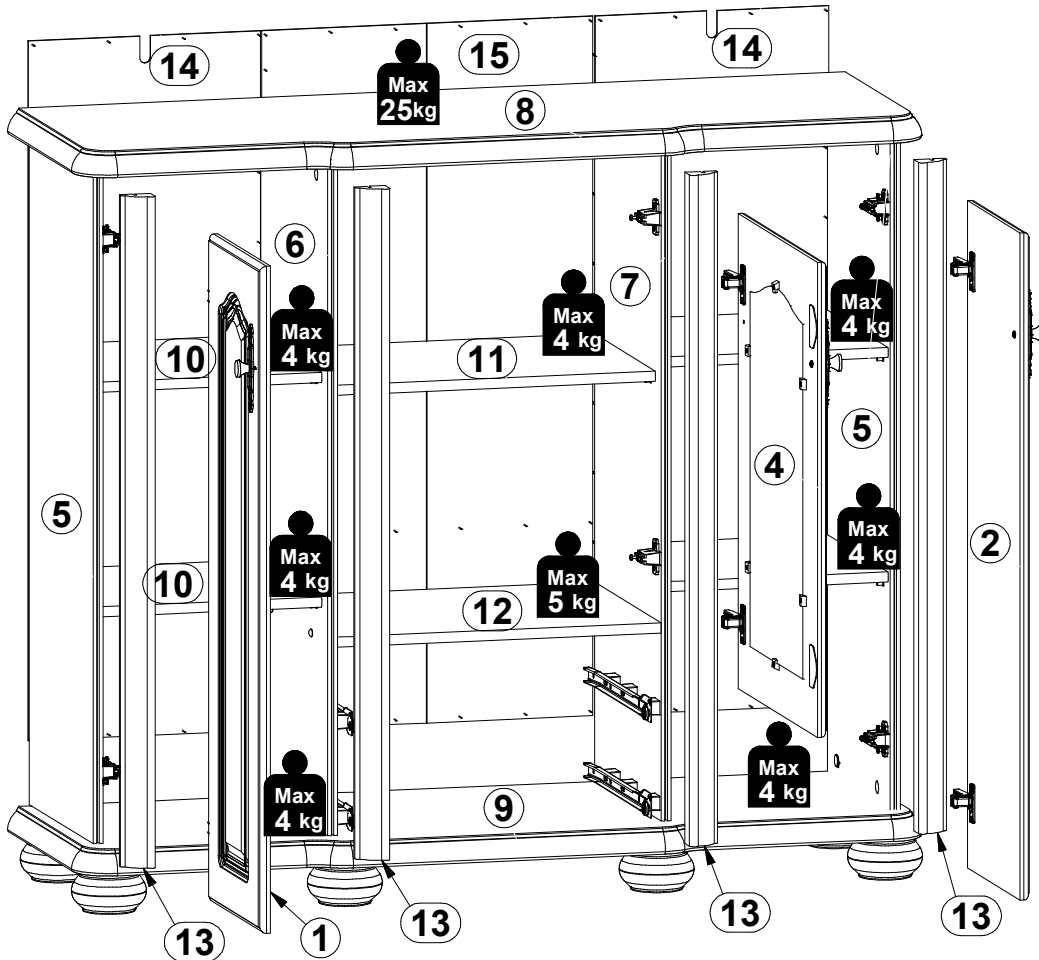
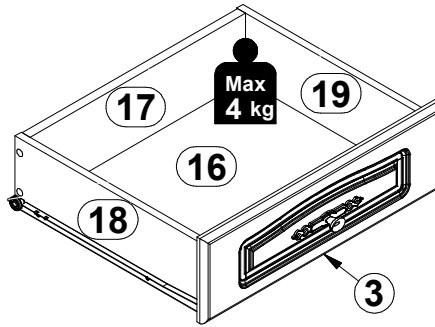
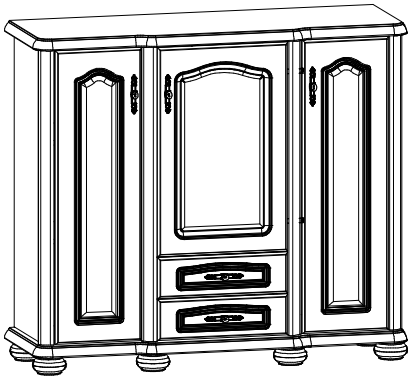


A	B	C1	C2	C3	D
1	S41-0006	986	296	16	5/7
2	S41-0007	986	296	16	5/7
3	S41-0008	138	446	16	6/7
4	S41-0009	702	446	19	6/7
5	S41-1006	992	358	15	1/7
6	S41-1008	992	375	15	1/7
7	S41-1009	992	375	15	1/7
8	S41-2004	1280	436	38	2/7
9	S41-2005	1280	436	38	2/7
10	S41-3002	333	343	15	3/7
11	S41-3003	488	343	15	3/7
12	S41-3004	488	375	15	3/7
13	S41-5003	992	47	32	4/7
14	S41-9001	1034	352	2,5	1/7
15	S41-9303	1034	501,	2,5	1/7
16	WSP-9303	425	358	2,5	3/7
17	ZS7-5045	403	110	15	3/7
18	ZS7-521	350	110	12	3/7
19	ZS7-522	350	110	12	3/7



6x  a172	6x  b85	5x  c69	20x $\phi 5 \times 17$ mm d1	3x $\phi 6,3 \times 15$ mm d4	4x $\phi 7 \times 50$ mm e1	12x $\phi 6 \times 30$ mm e16	8x $\phi 5 \times 9$ mm e19	20x $\phi 8 \times 30$ mm f1
16x $\phi 6 \times 18 \times 4$ mm f11	8x $\phi 6,5 \times 40$ mm f25	6x $\phi 10 \times 40$ mm f27	5x  M4x25 mm j8	6x $\phi 110 \times 58 / 62$ mm k47	90x  l1	12x $\phi 3,5 \times 15$ mm p51	16x $\phi 1,5 \times 12$ mm #16 r1	8x $\phi 12 \times 10,5$ mm #12 r15
24x  20/11 r42	4x  s1	16x $\phi 16$ s2	12x  h=18 mm w36	2x  350 mm w45-CL	2x  350 mm w45-CR	2x  350 mm w45-DL	2x  350 mm w45-DR	1x  GLUE y1
1x  z1	4x $\phi 6 \times 30$ mm f9	2x $\phi 35 \times 62 \times 40 \times 10$ s71		2x $\phi 5 \times 60$ mm p17	2x  88x21x15/1,5 n14/2	2x $\phi 10 \times 50$ mm f35	4x $\phi 3,5 \times 16$ mm p38	

