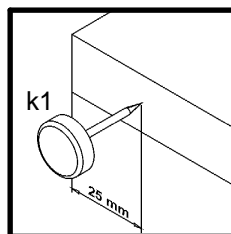
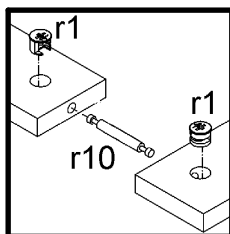
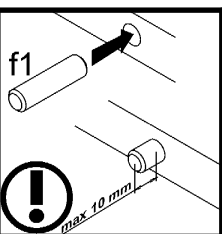
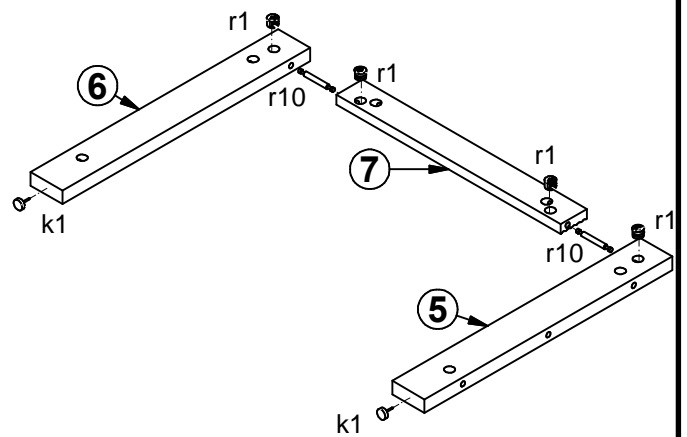
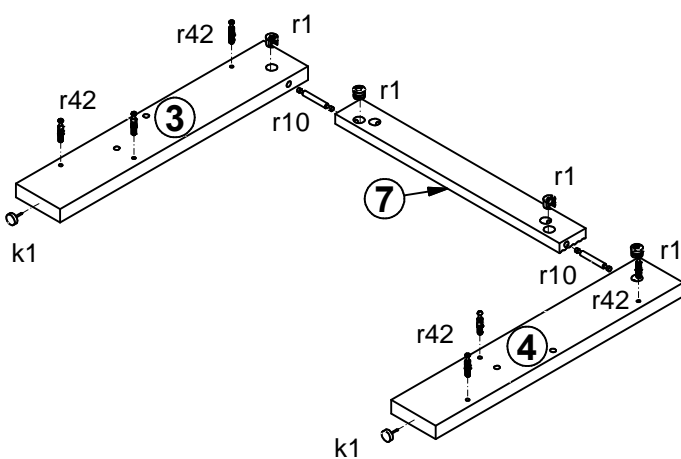
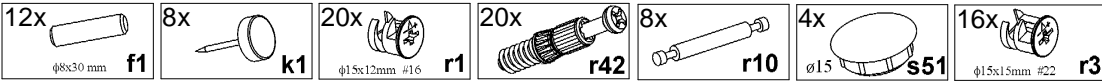
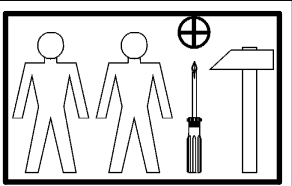
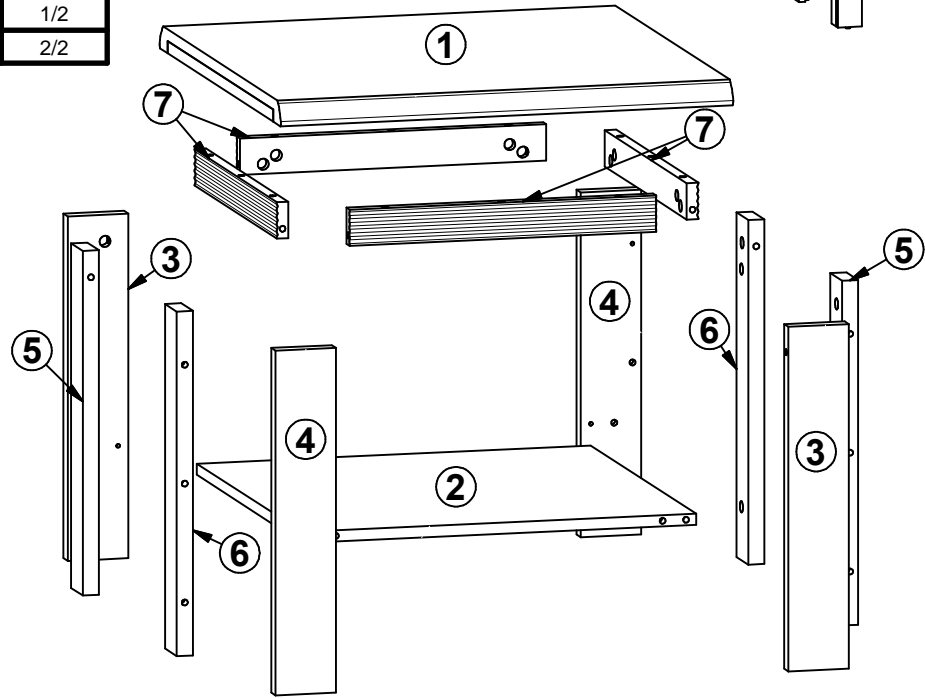
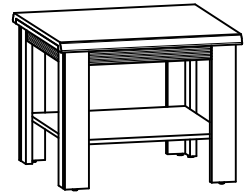


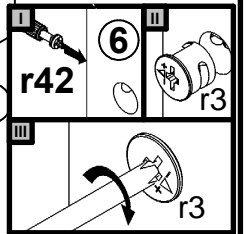
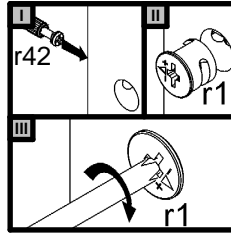
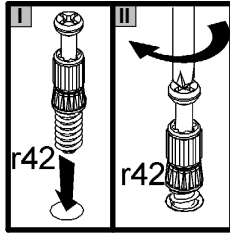
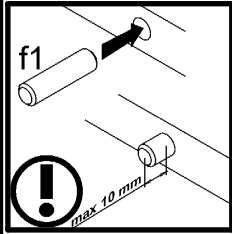
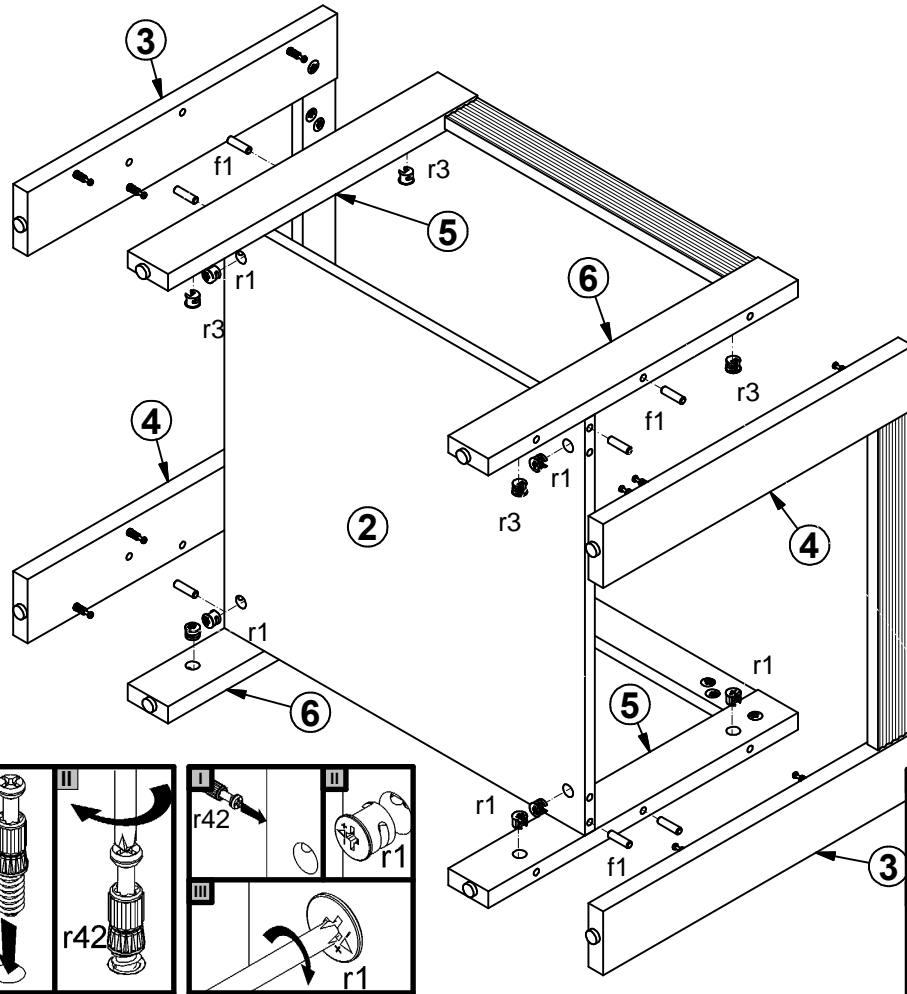
# CAPS

S153-LAW/60

A	B	C	D
1	S153-208	620	620
2	S153-322	540	540
3	S153-406	464	83
4	S153-407	464	83
5	S153-408	464	60
6	S153-409	464	60
7	S153-583	420	49



# 2



# 3

