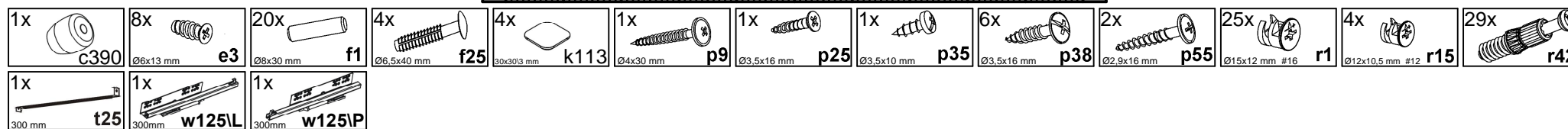
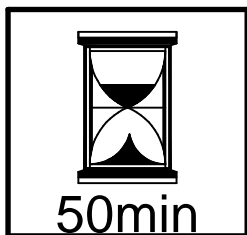
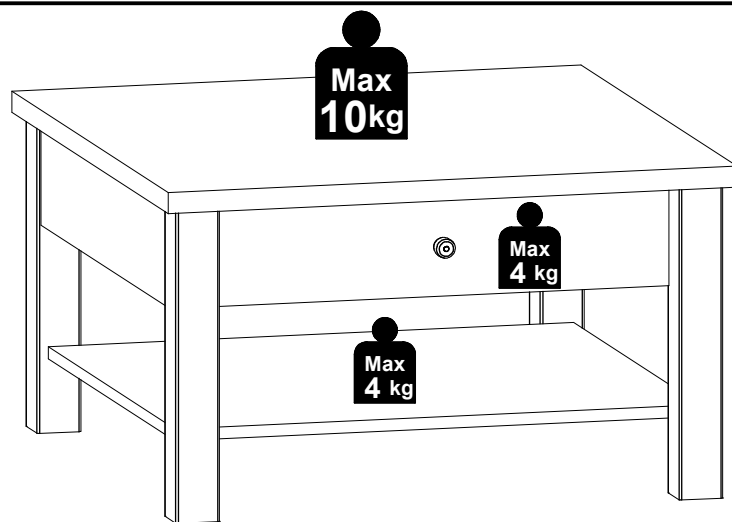
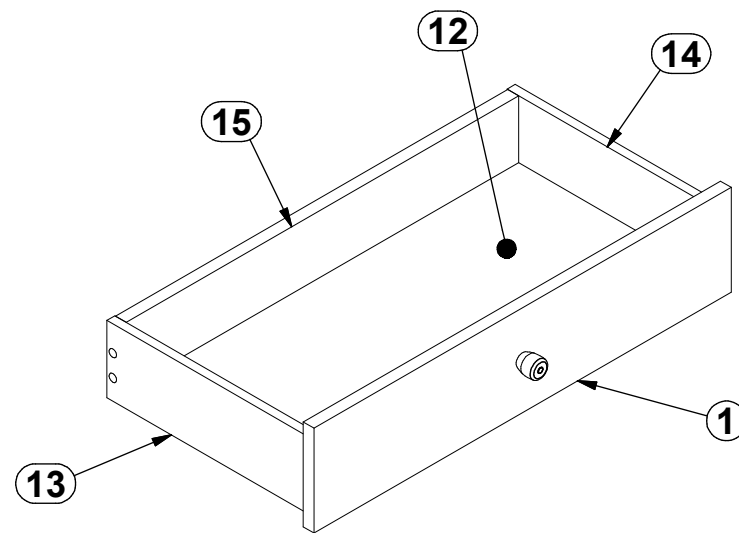
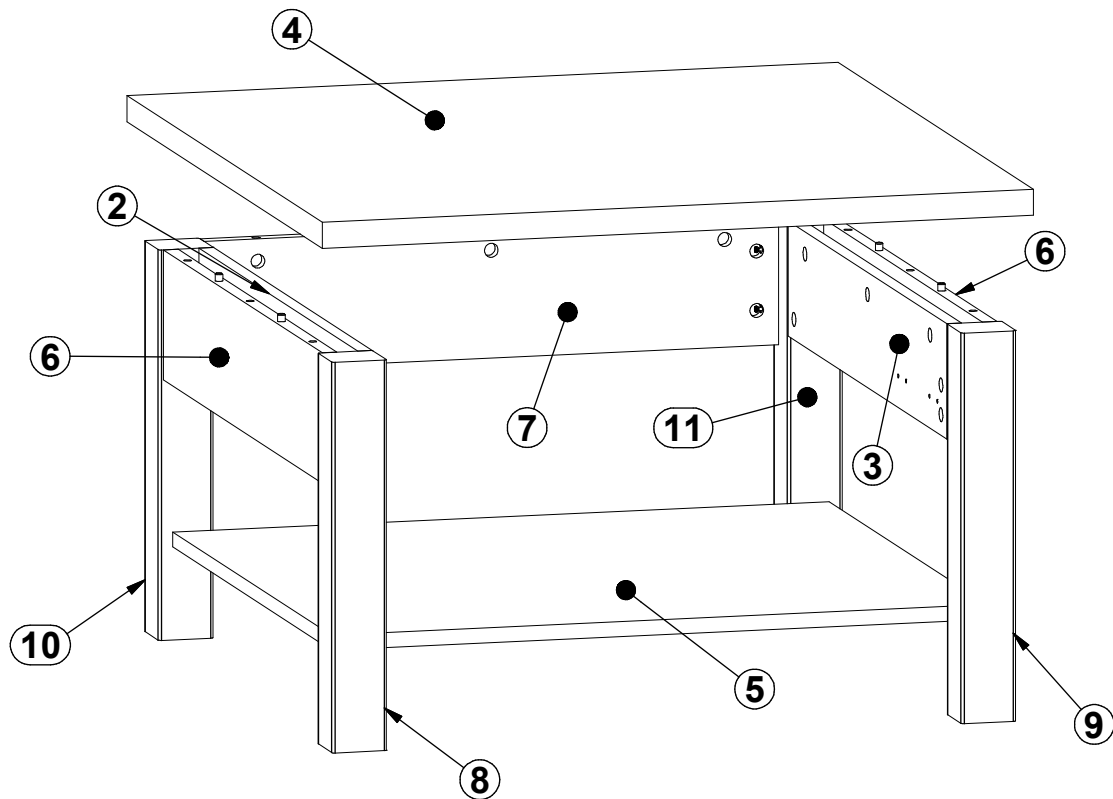


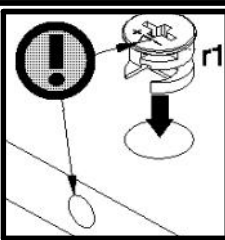
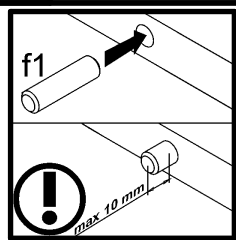
A	B	C (mm)		D
1	S256-034	136	625	1/1
2	S256-183	124	650	1/1
3	S256-184	124	650	1/1
4	S256-224	780	800	1/1
5	S256-379	720	650	1/1
6	S256-410	650	140	1/1
7	S256-411	630	140	1/1
8	S256-5577	420	60	1/1
9	S256-5578	420	60	1/1
10	S256-5579	420	60	1/1
11	S256-5580	420	60	1/1
12	WSP-9114	600	308	1/1
13	WSQ2-503	300	100	1/1
14	WSQ2-504	300	100	1/1
15	WTQ-5057	588	87	1/1



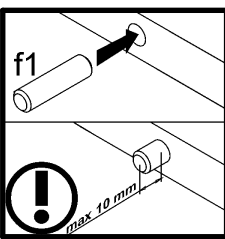
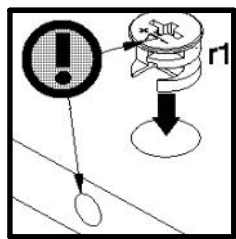
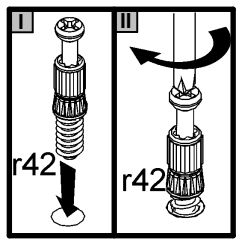
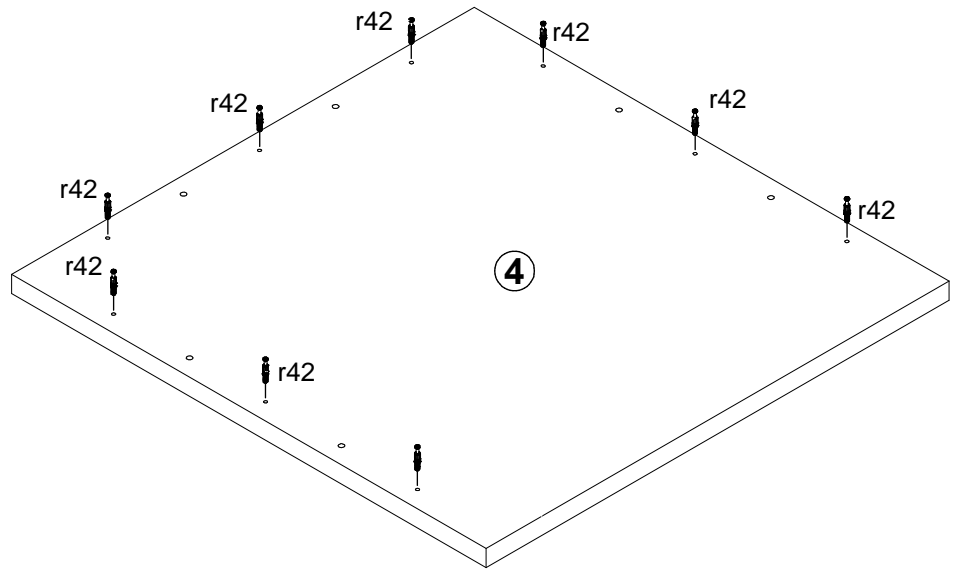
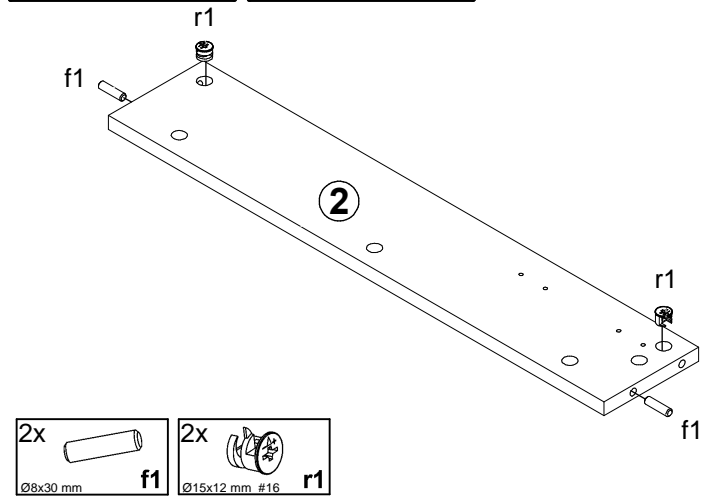


A

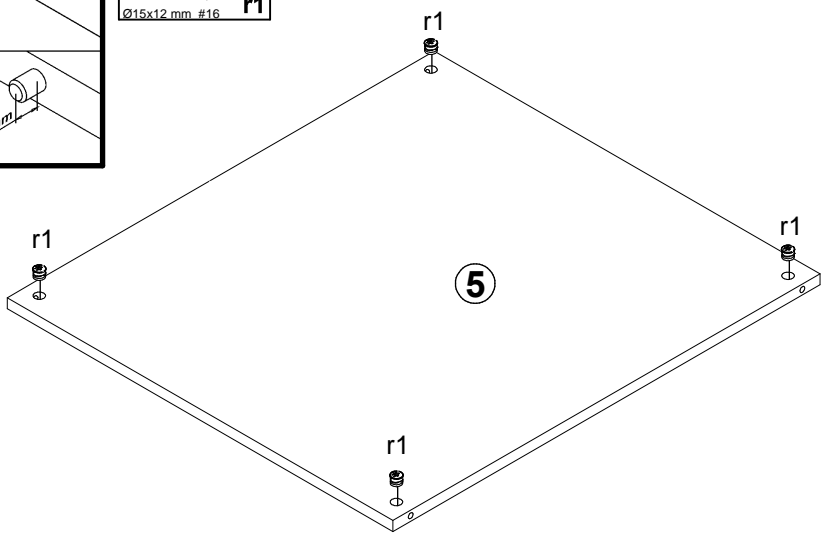
S256-LAW1S/4/8



1

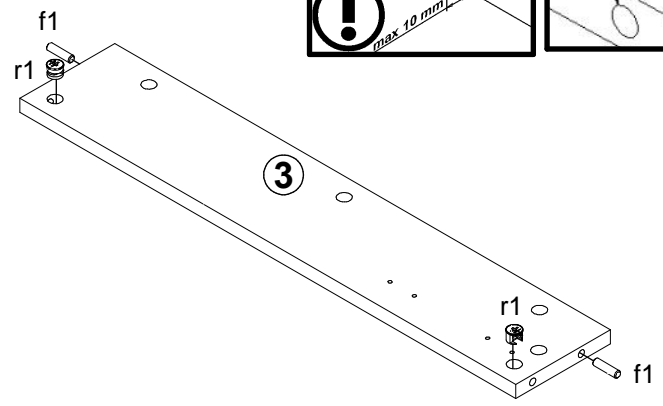
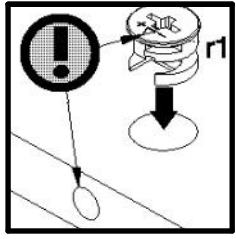
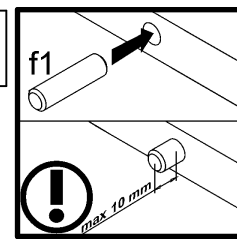


4x r1
Ø15x12 mm #16



2x r1
Ø15x12 mm #16

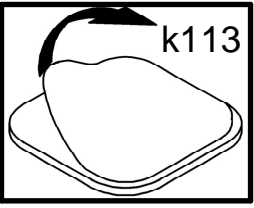
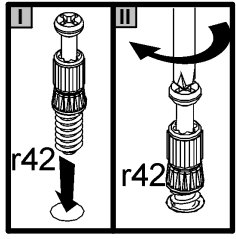
2x f1
Ø8x30 mm



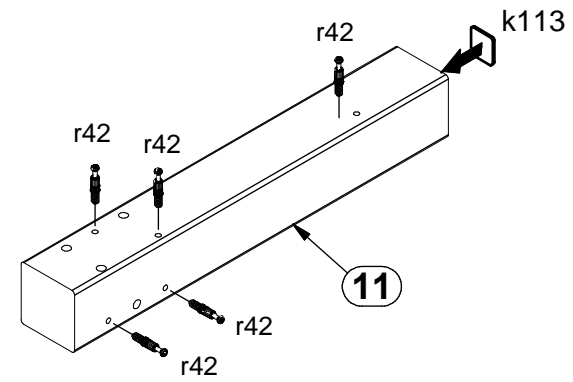
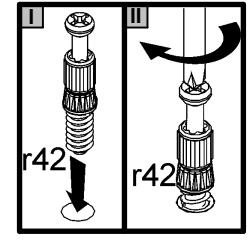
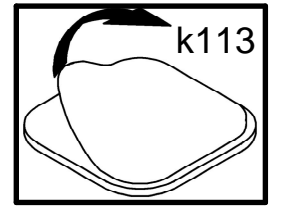
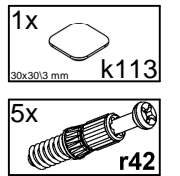
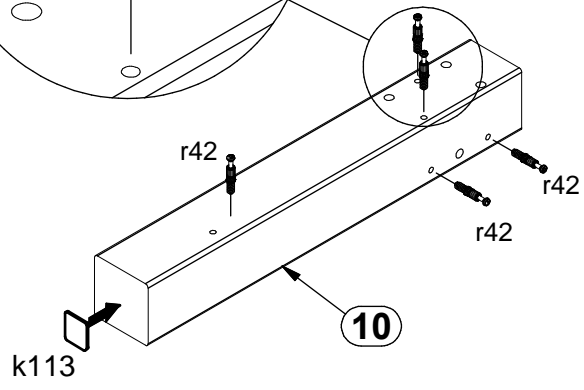
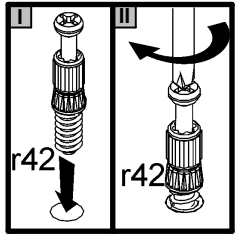
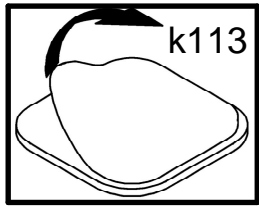
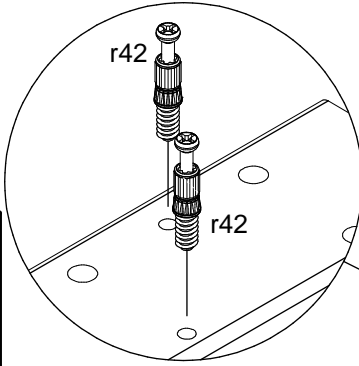
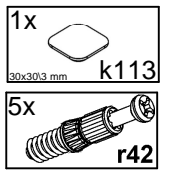
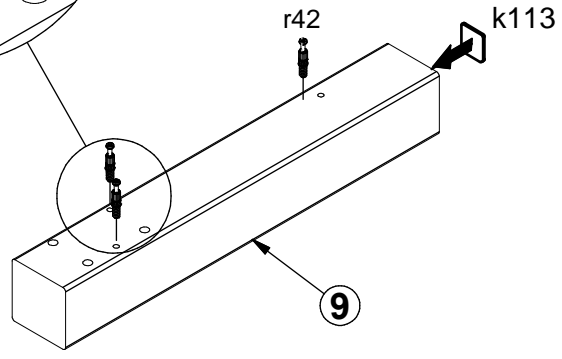
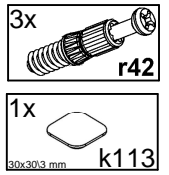
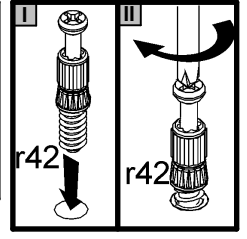
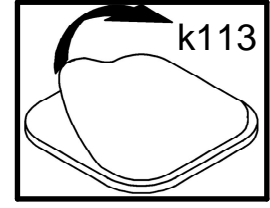
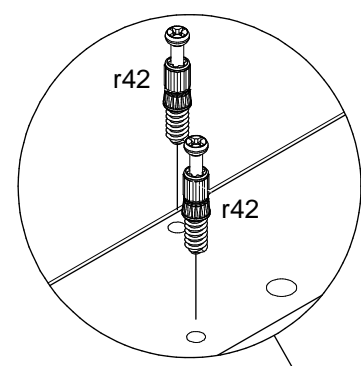
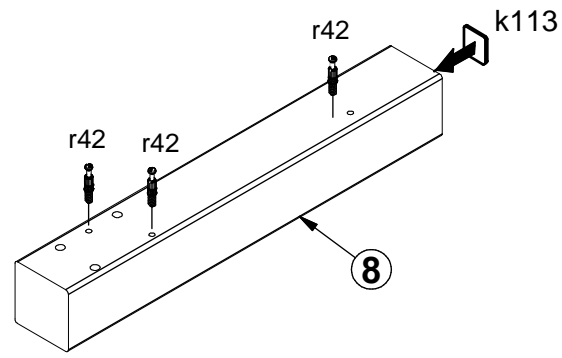
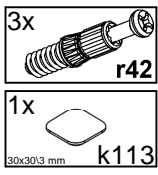
A

S256-LAW1S/4/8

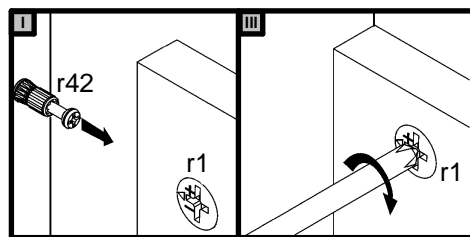
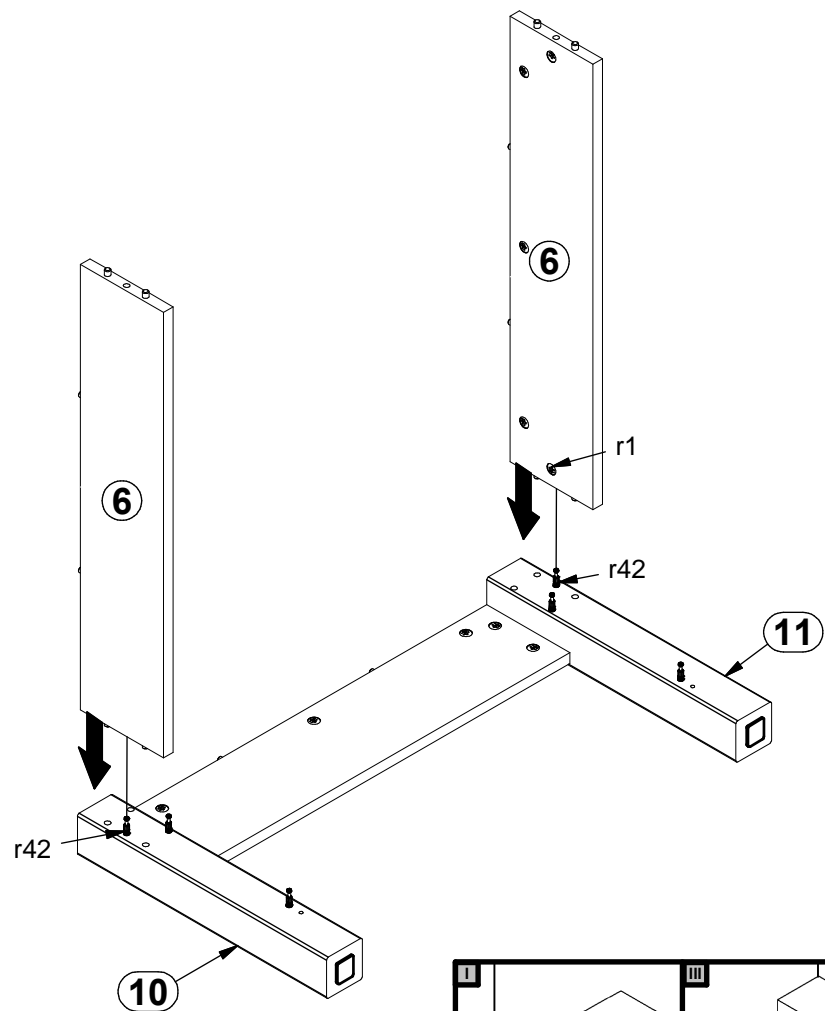
5 / 11



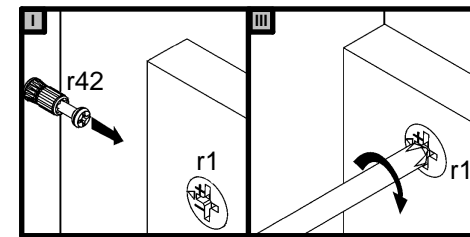
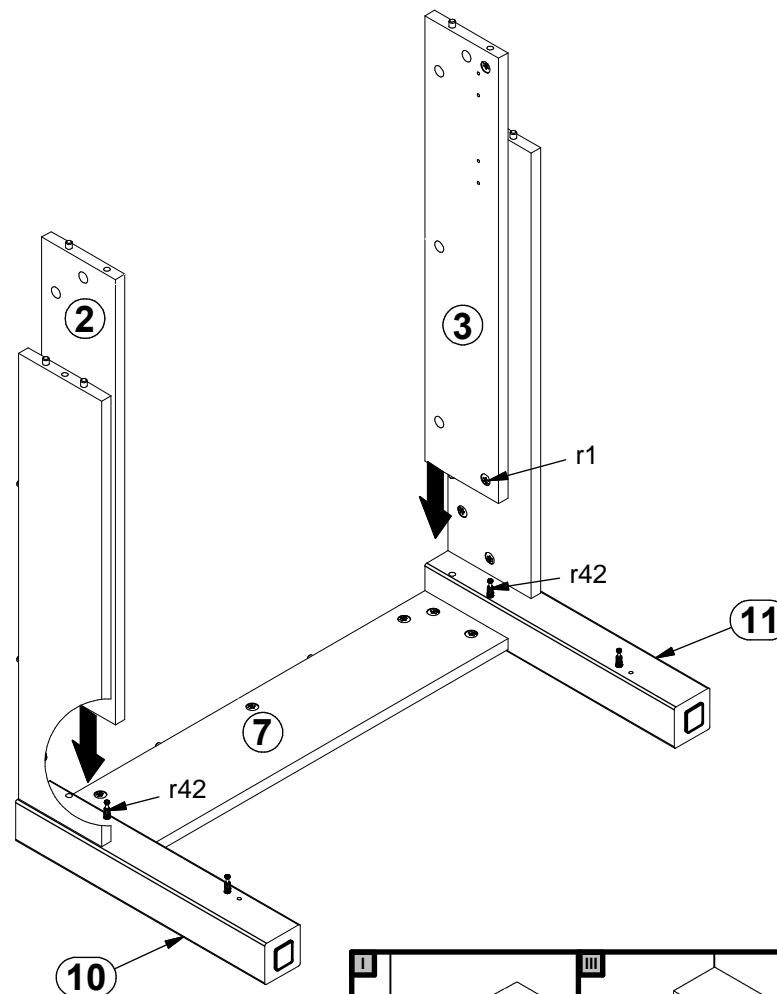
1



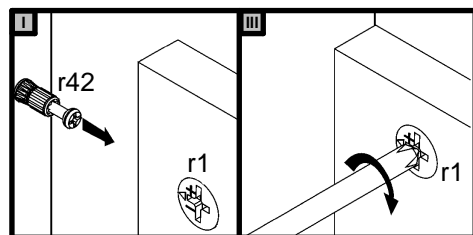
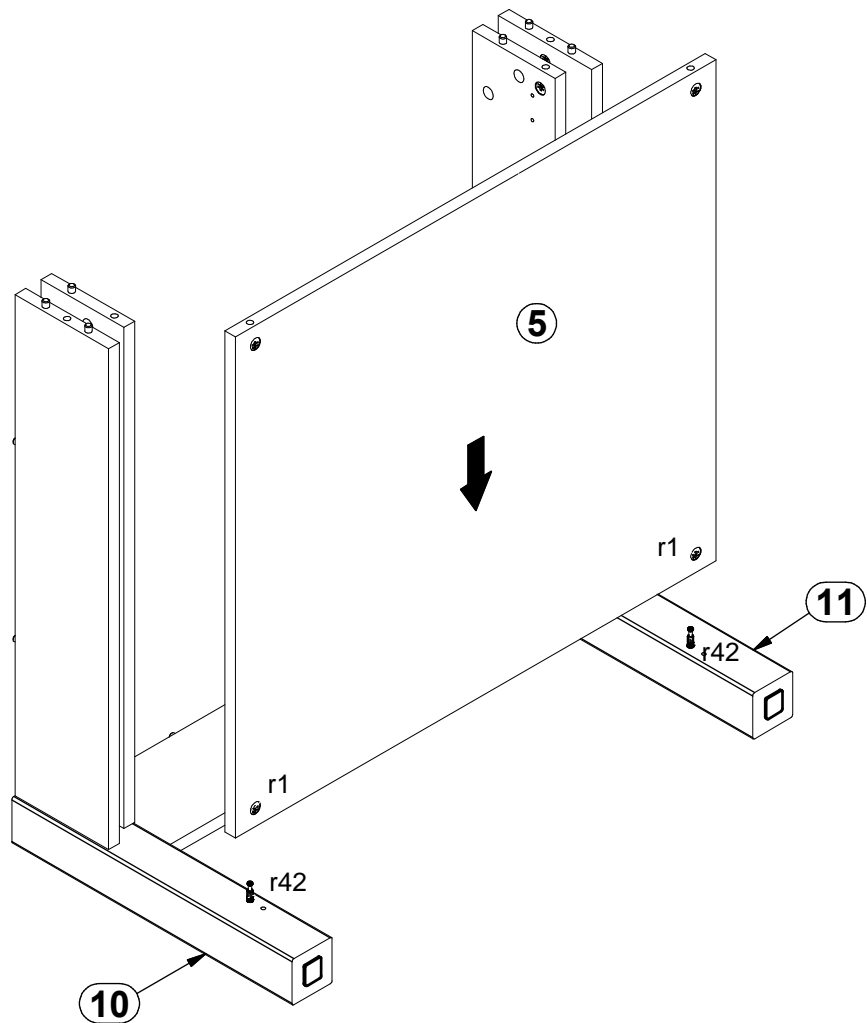
3



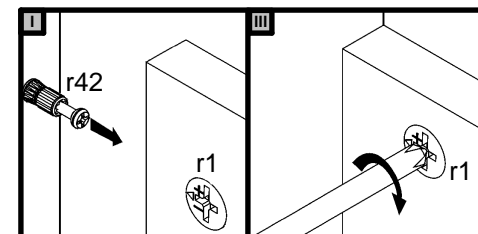
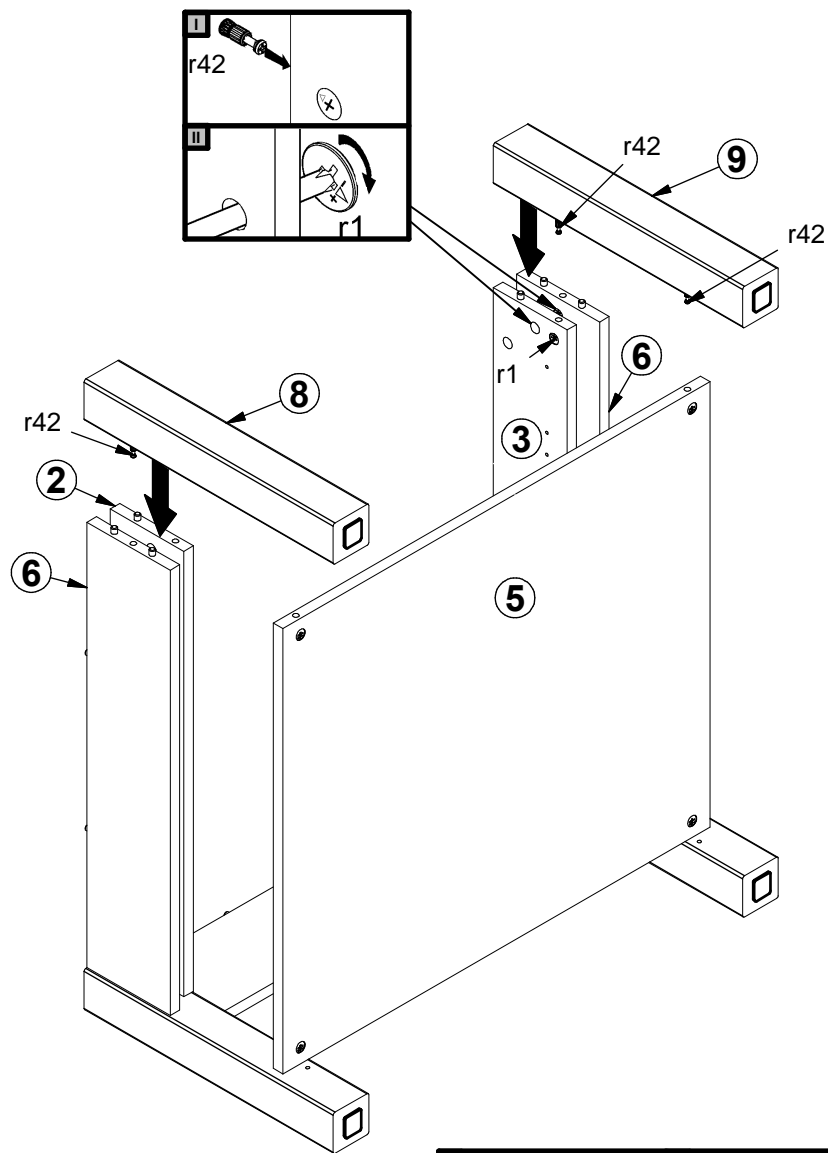
4



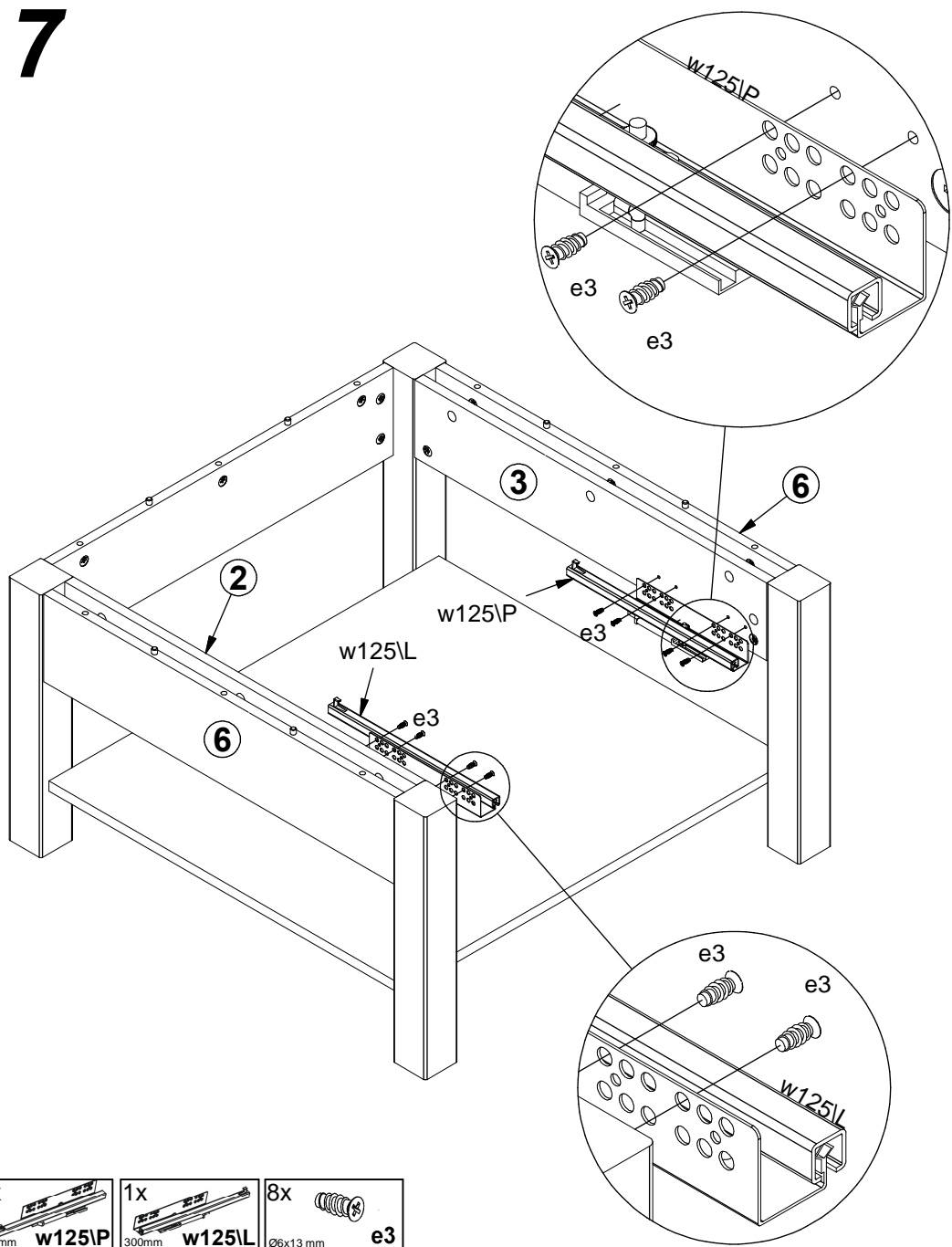
5



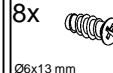


6

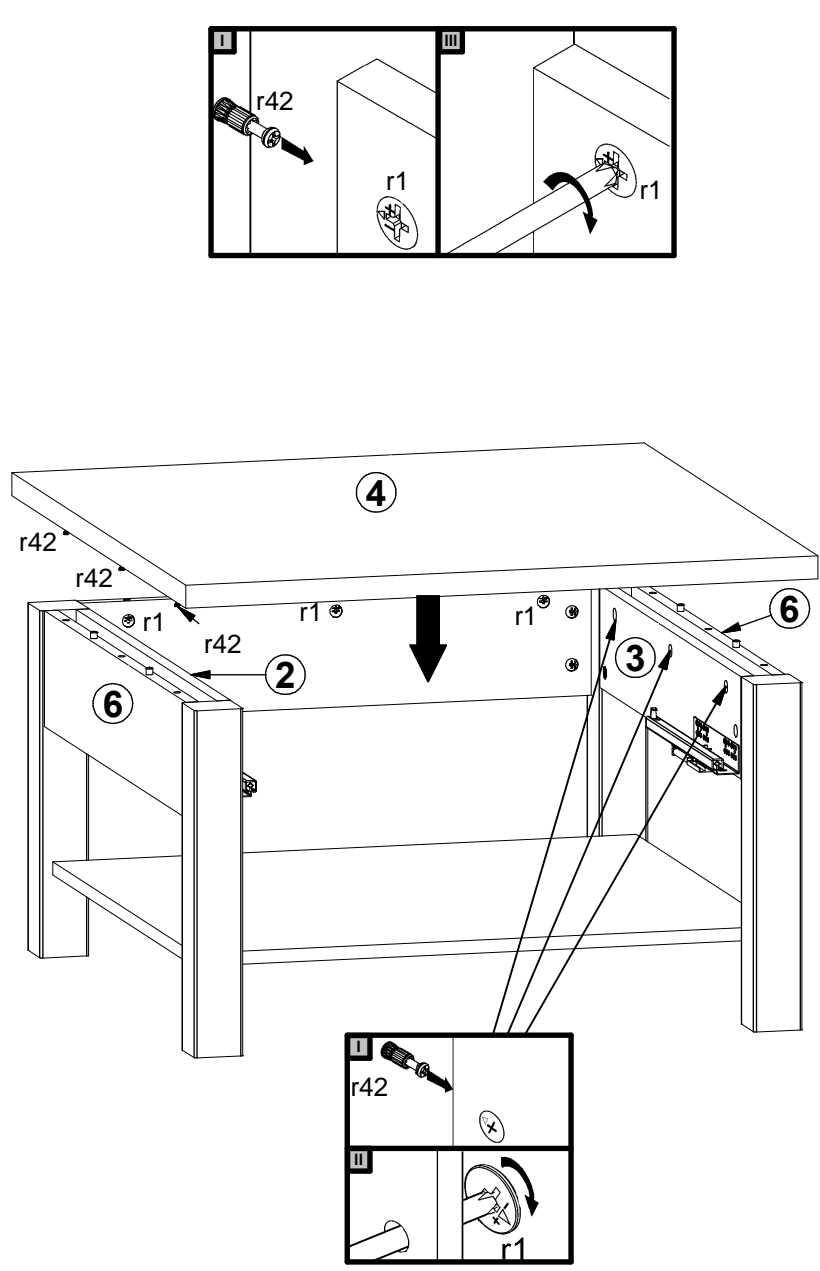


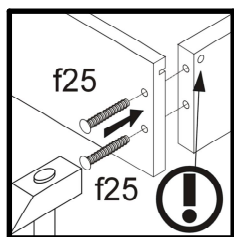
7



- 1x  w125P
- 1x  w125L
- 8x  e3

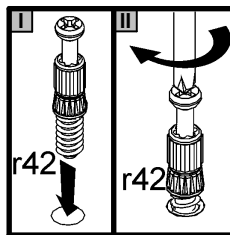
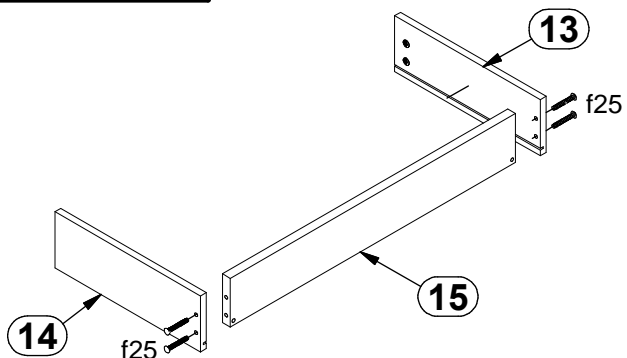
8



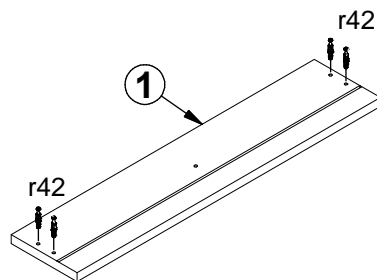


4x
Ø6.5x40 mm f25

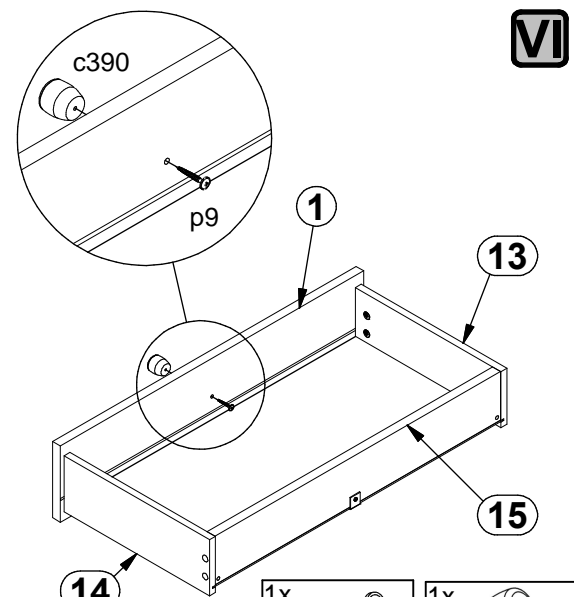
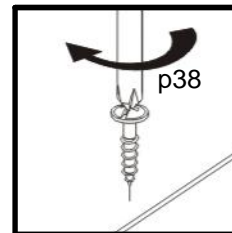
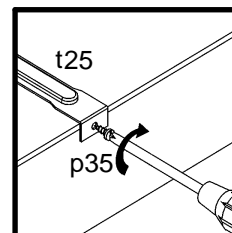
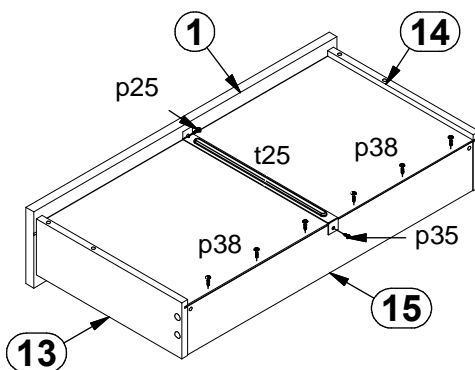
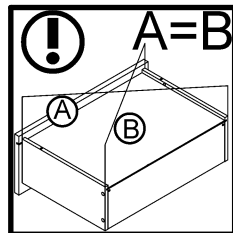
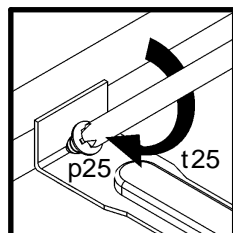
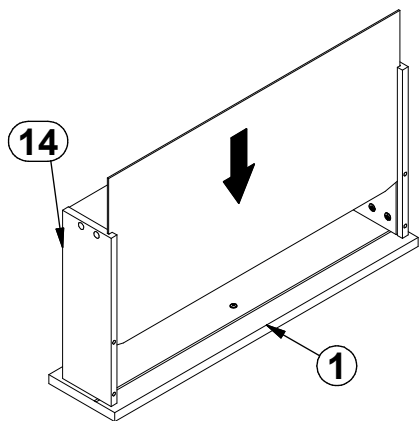
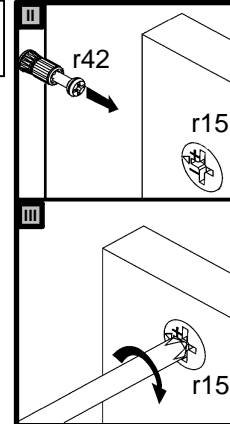
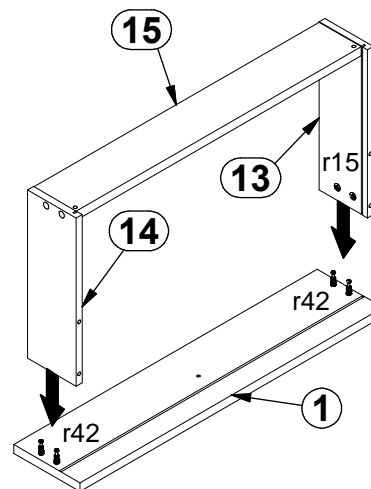
9



4x
20/11 r42



4x
Ø12x10.5 mm #12 r15



6x
Ø3.5x16 mm p38

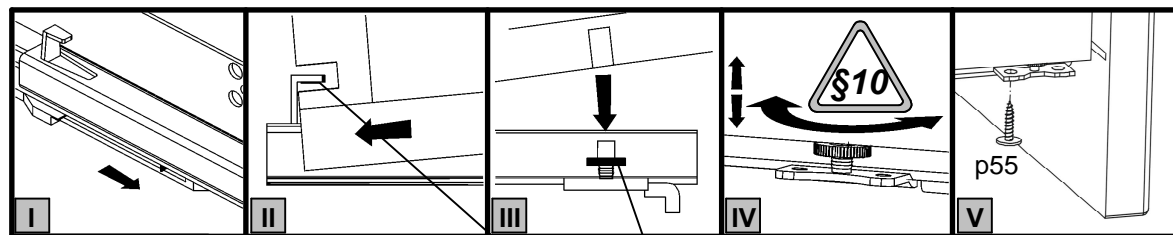
1x
300 mm t25

1x
Ø3.5x16 mm p25

1x
Ø3.5x10 mm p35

1x
Ø4x30 mm p9

1x
c390



10

