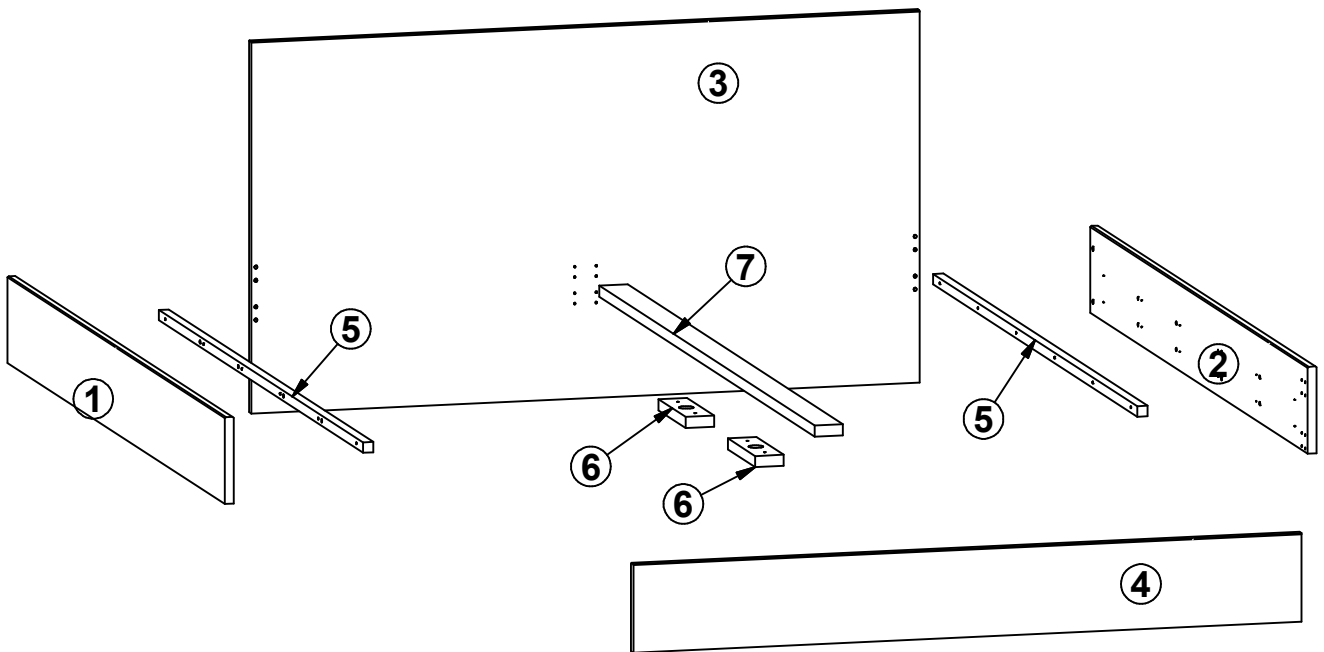
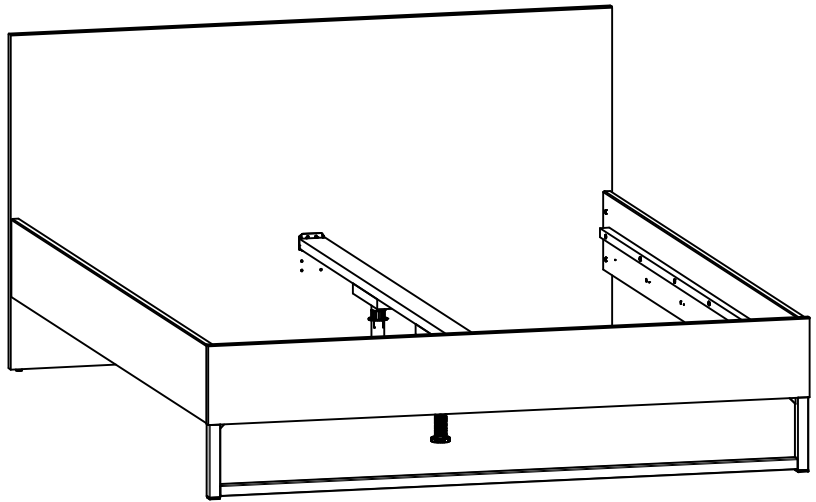
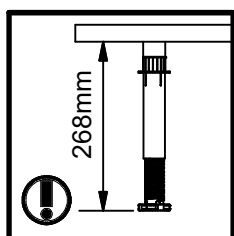
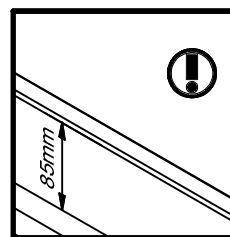
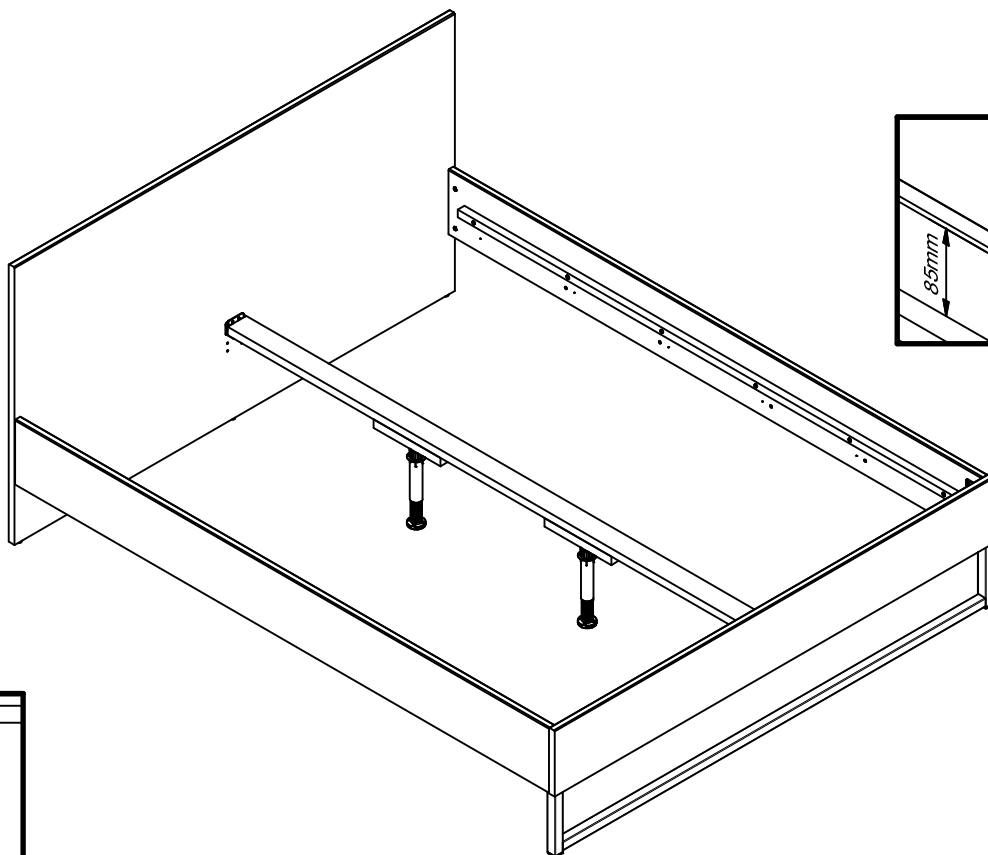


A	B	C	D
1	L79-1009	2000	210
2	L79-1010	2000	210
3	L79-4001	1648	900
4	L79-4002	1648	214
5	ZZ1-747	1880	25
6	ZZ1-759	250	70
7	ZZ1-767	1983	70

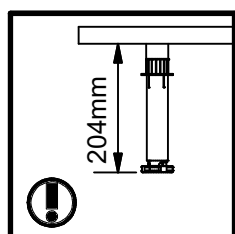
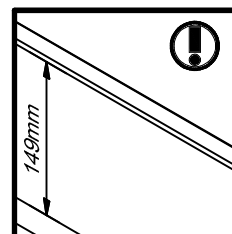
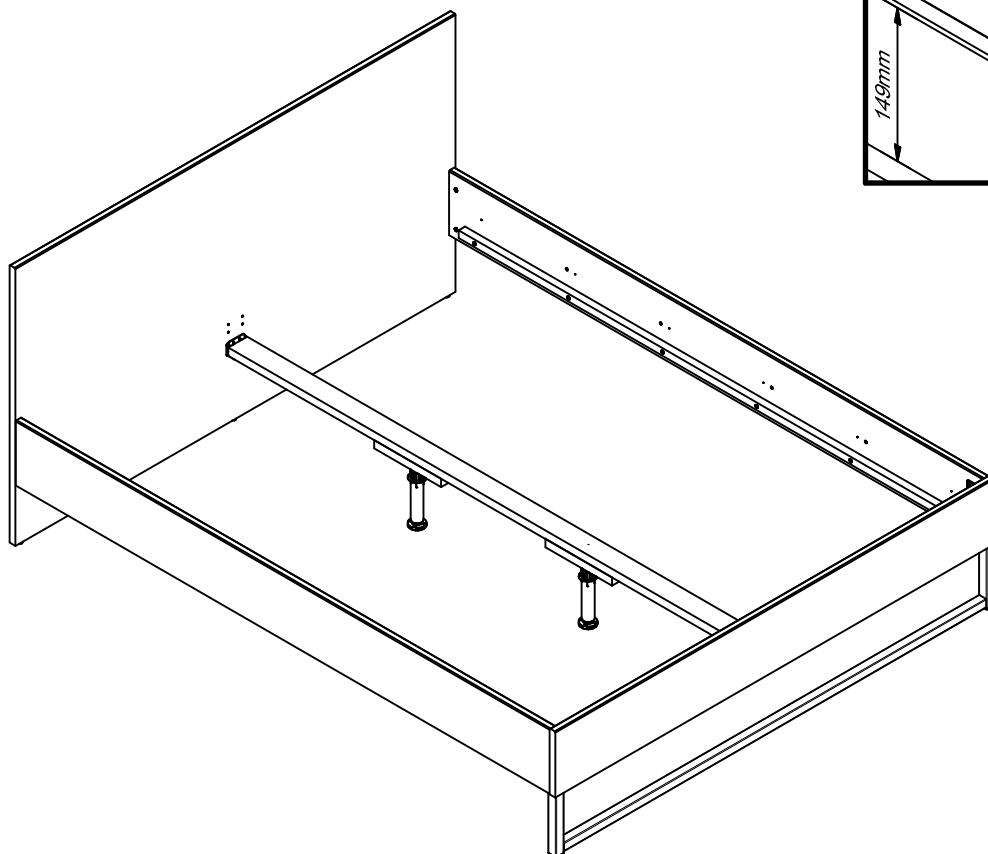


8x Ø6x13 mm e3	32x Ø6.3x16 mm e7	12x Ø8x30 mm f1	4x M6x65 mm j132	4x M6x16 mm j174	3x k1	2x 30x30 k133i10	2x k133i12	1x k133i4P
1x k133i4L	1x L-1582mm 28x28 k133i9	2x k24i2	2x k24i3	2x k24i4	2x n34i1	2x n34i2	16x Ø4x40 mm p10	6x Ø3.5x25 mm p16
6x Ø4x35 mm p6	4x Ø10x16 mm r43	1x 4 mm z1						

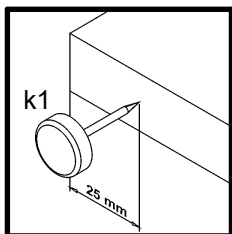
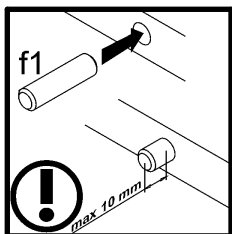
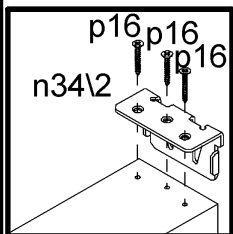
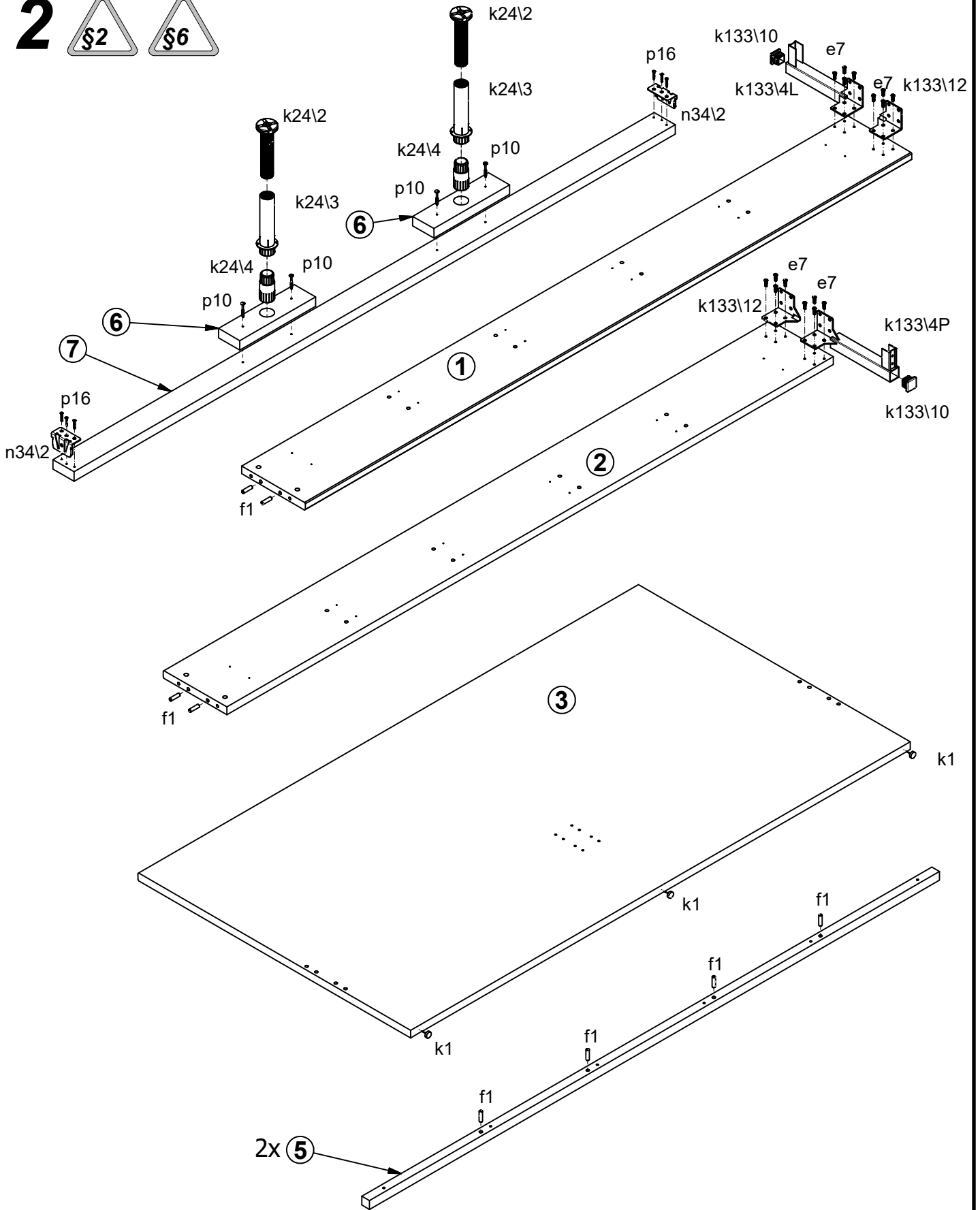
1A



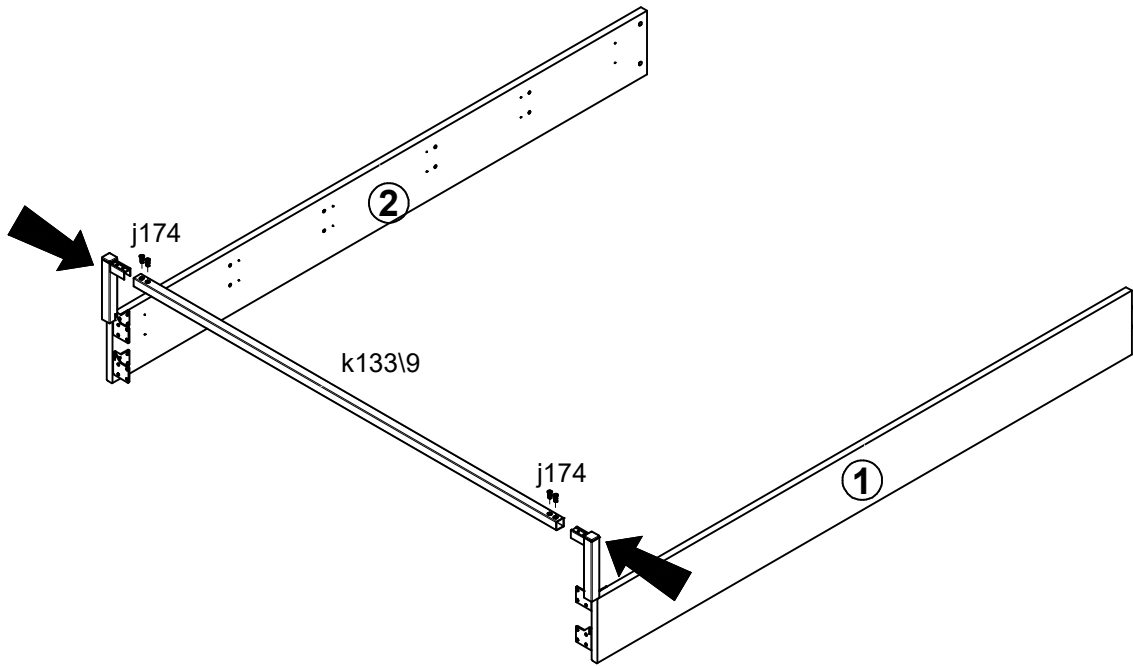
1B



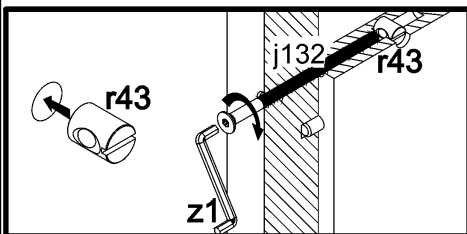
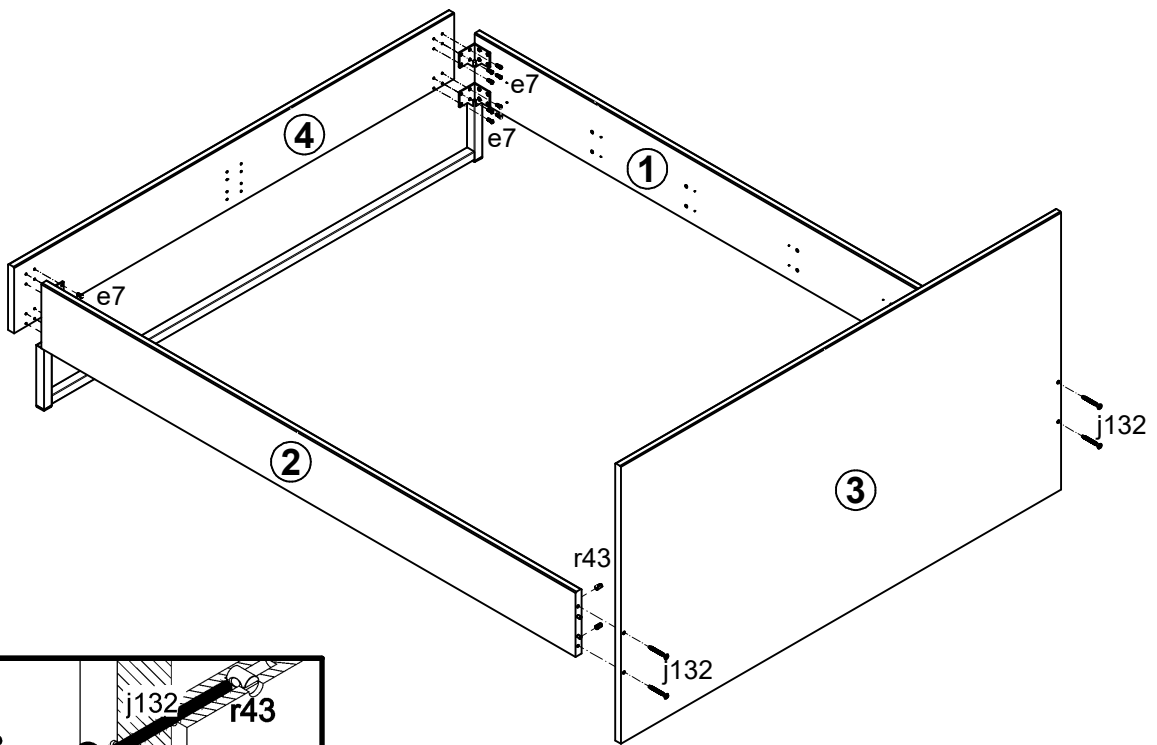
2



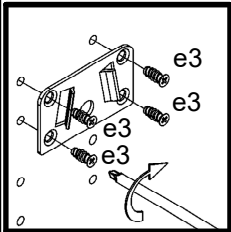
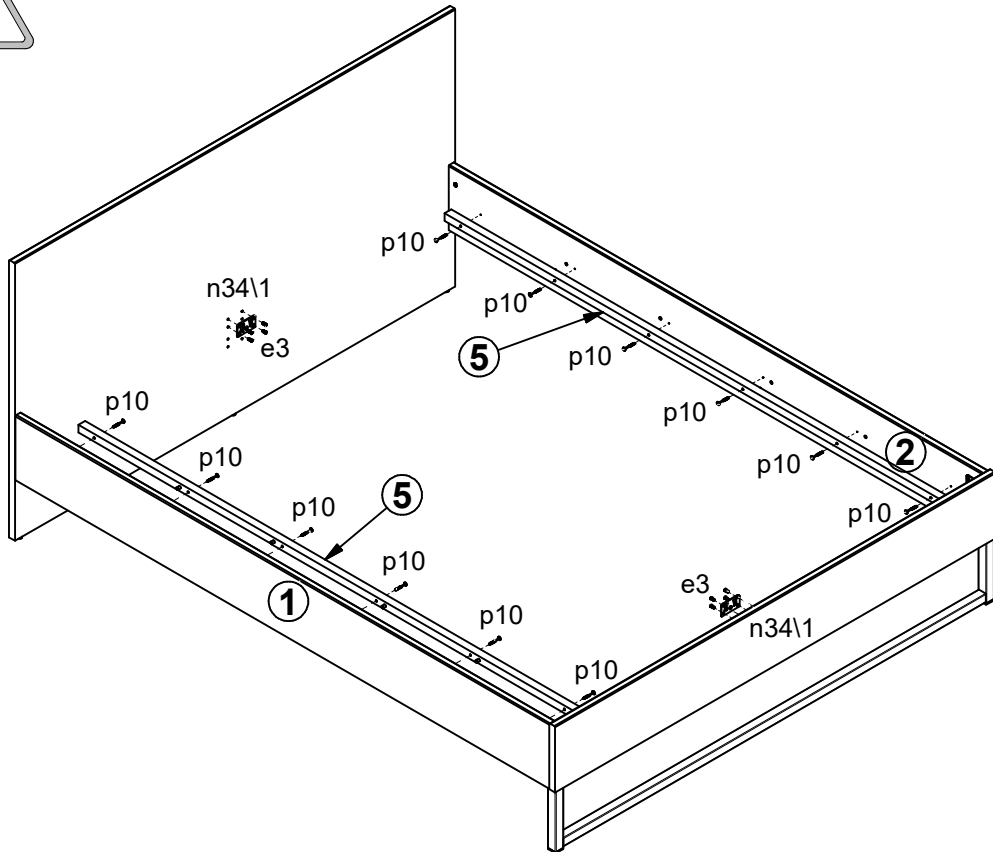
3 §6



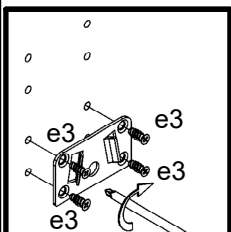
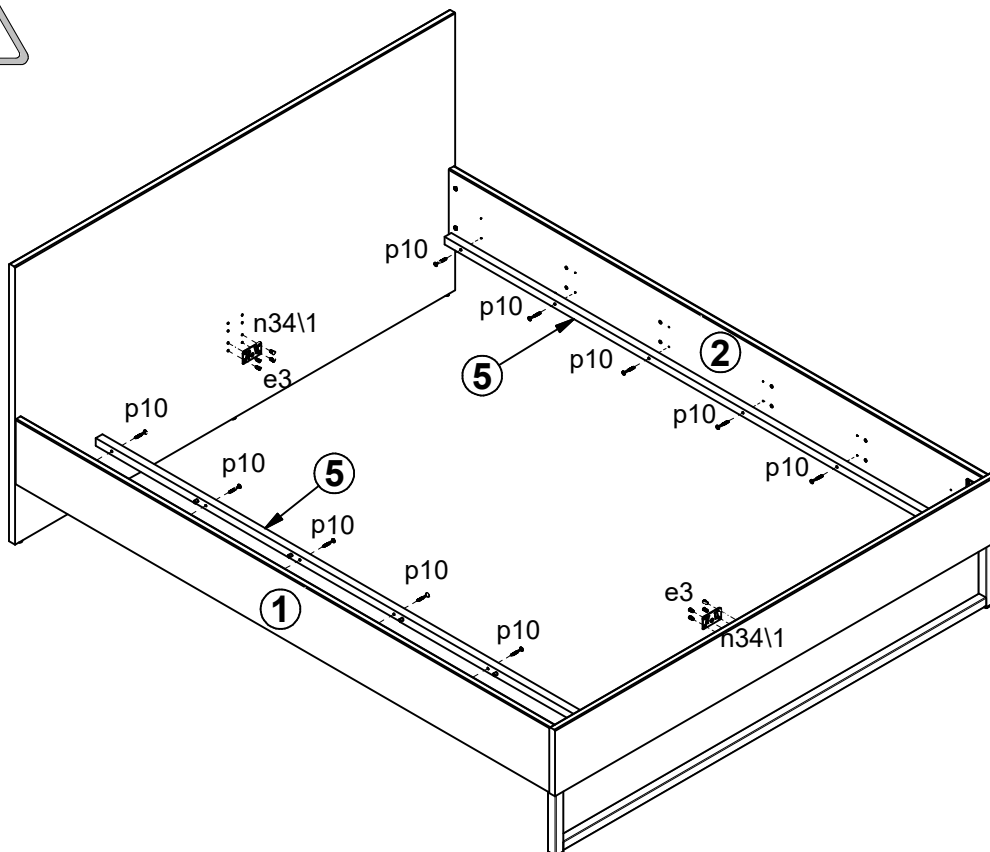
4 §6



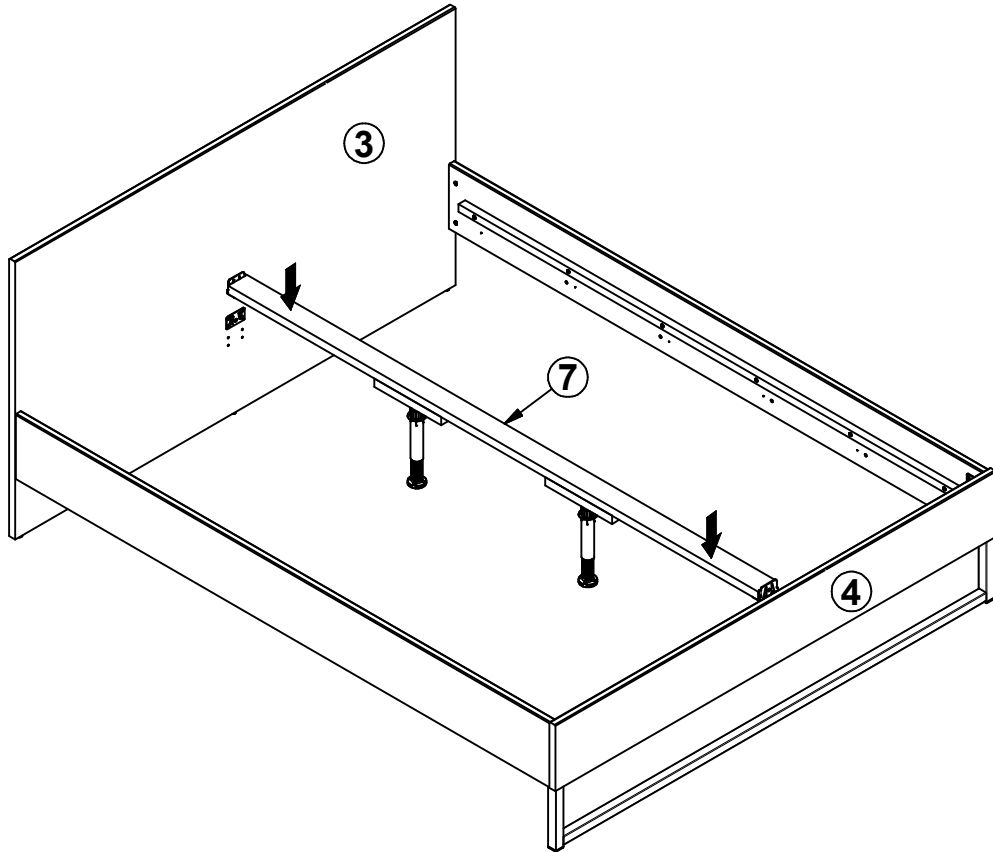
5A



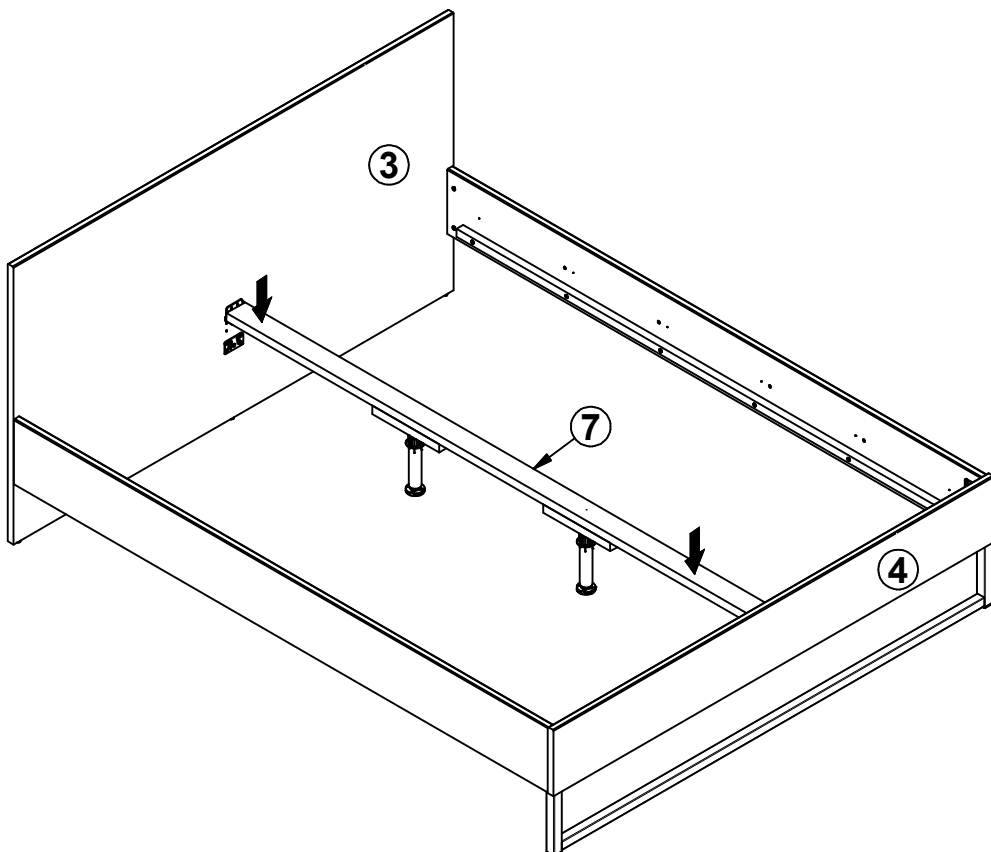
5B



6A



6B



7

