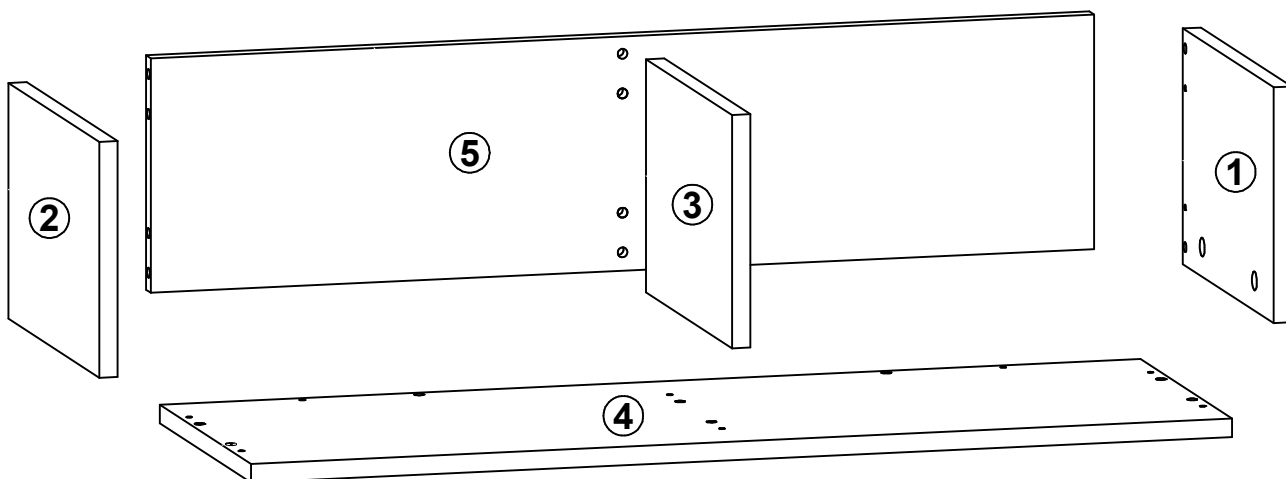
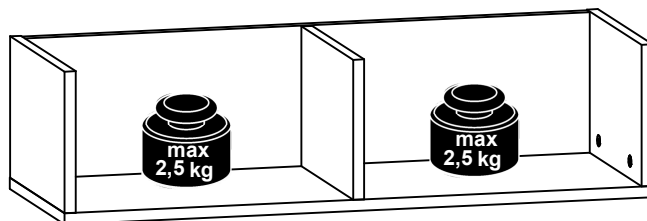


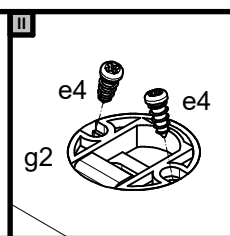
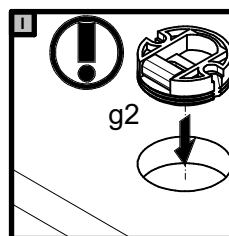
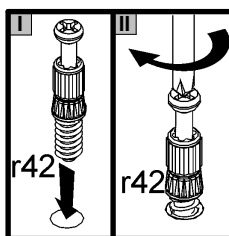
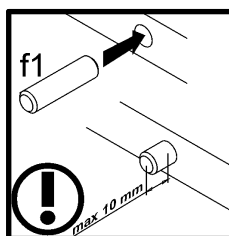
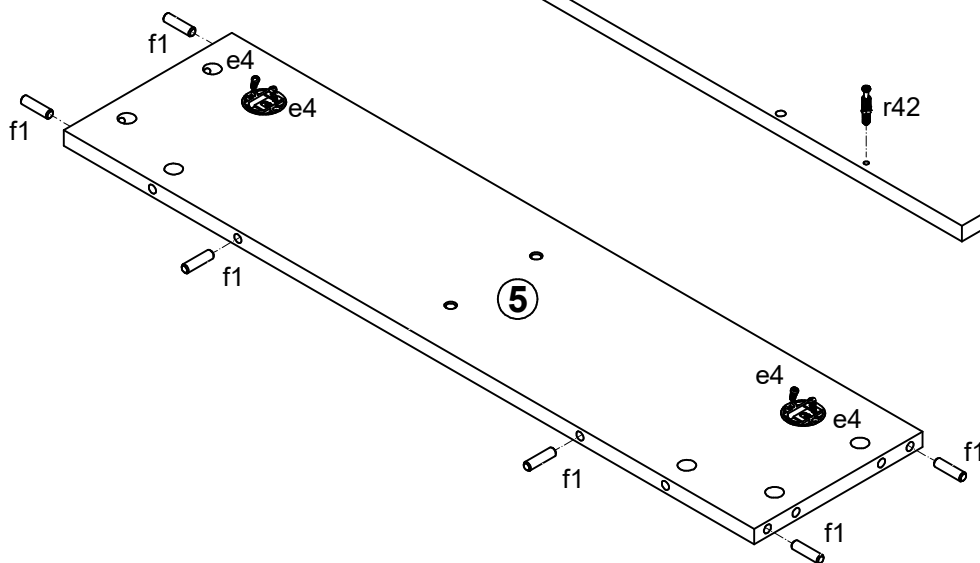
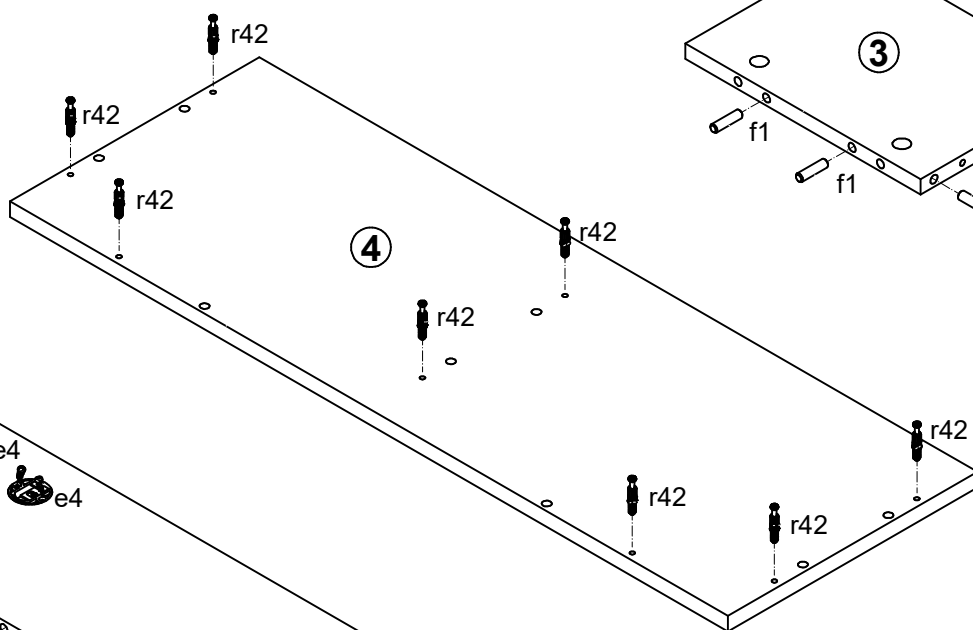
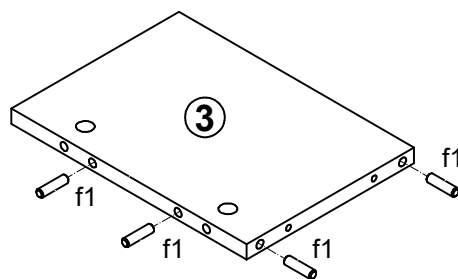
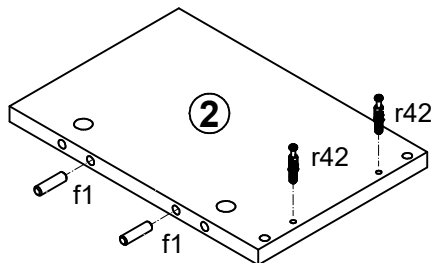
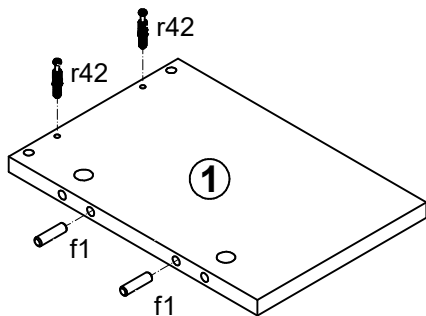
A	B	C	D
1	S411-1022	190	279
2	S411-1023	190	279
3	S411-1024	188	264
4	S411-2013	806	280
5	S411-4010	775	189



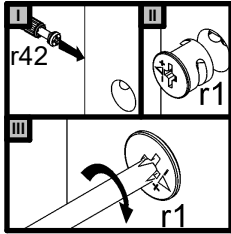
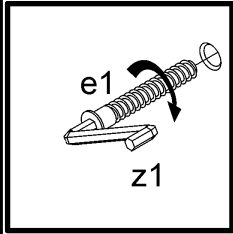
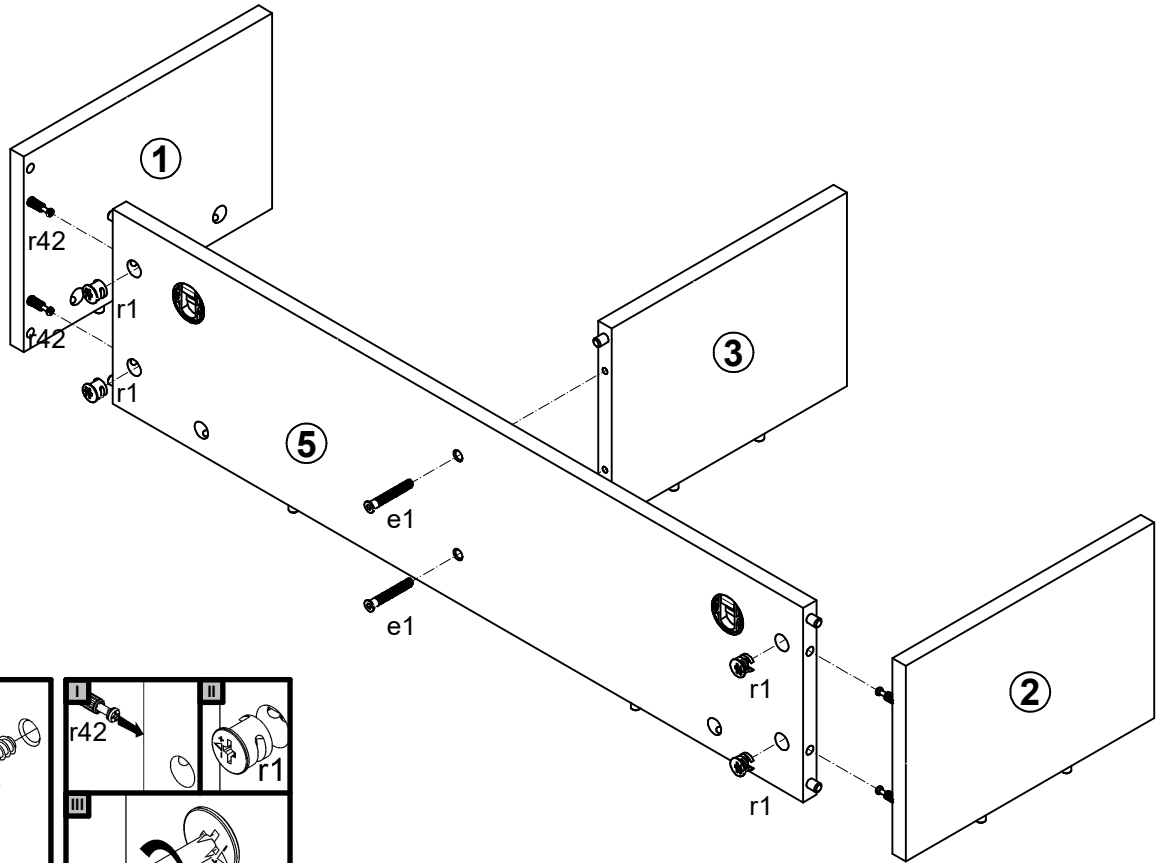
2x Ø7x50 mm e1	4x Ø5x11 mm e4	14x Ø8x30 mm f1	2x g2	12x Ø15x12 mm #16 r1	12x 20/11 r42	6x Ø16 s2	2x Ø12,7x3,5 mm s50	1x 4 mm z1
----------------------	----------------------	-----------------------	----------	----------------------------	---------------------	-----------------	---------------------------	------------------

2x Ø10x50 mm f35	2x Ø6x60 mm p75
------------------------	-----------------------

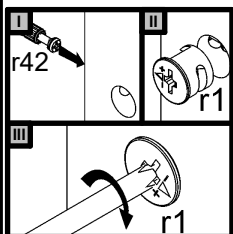
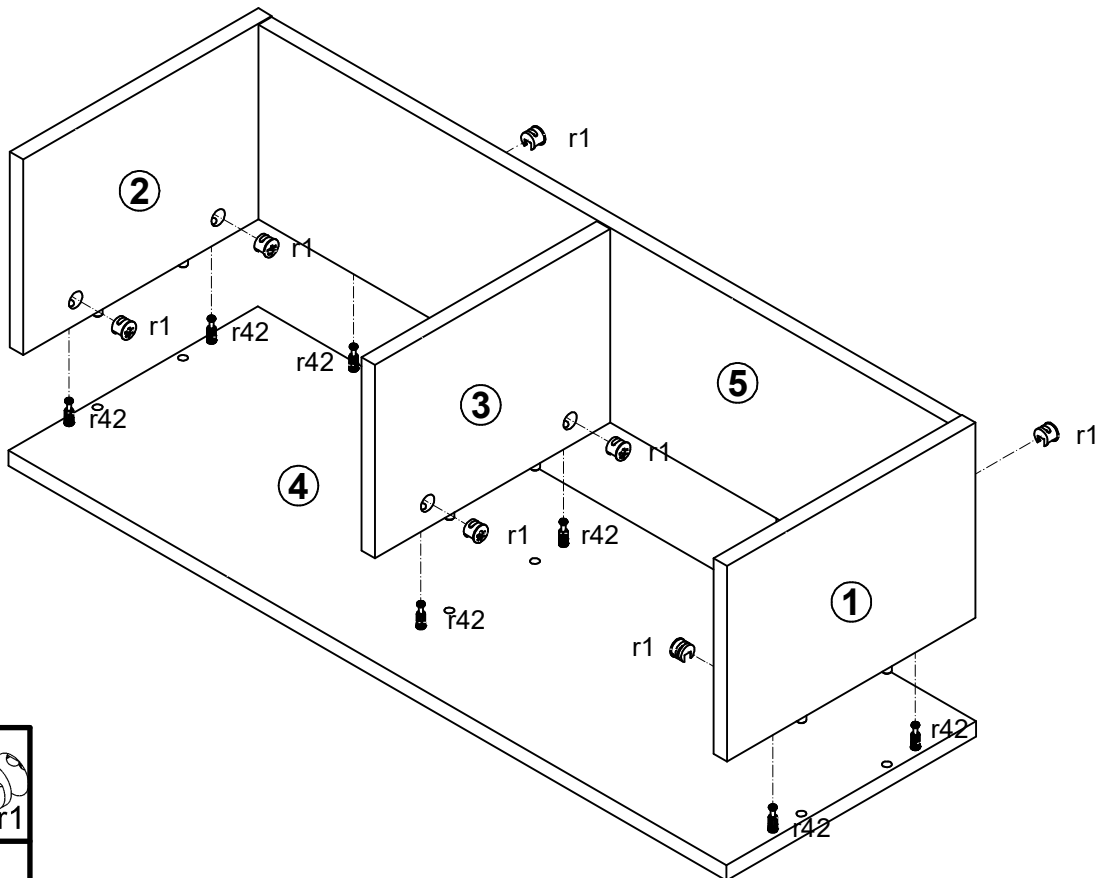
1 



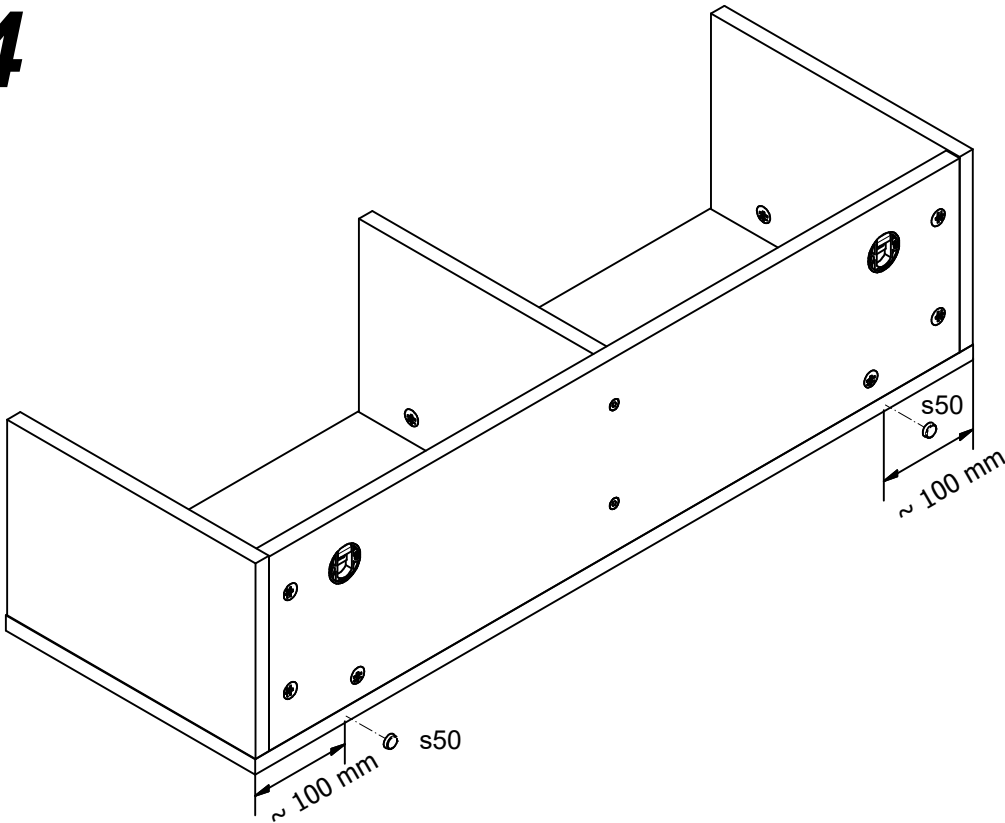
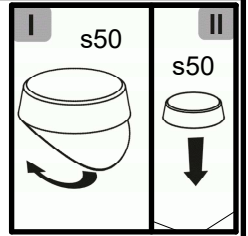
2



3



4



5

