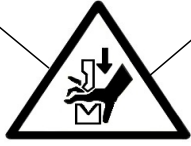
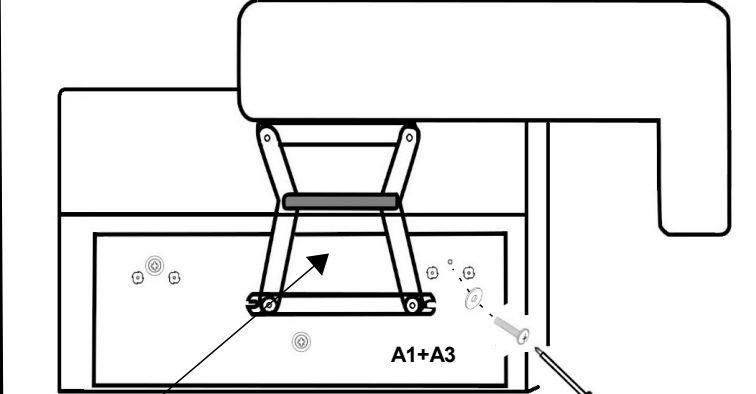
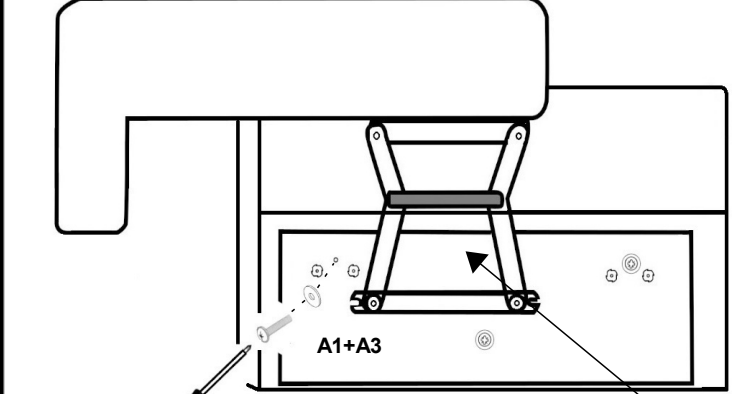
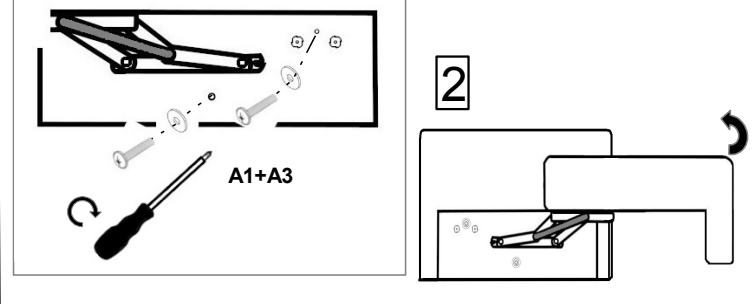
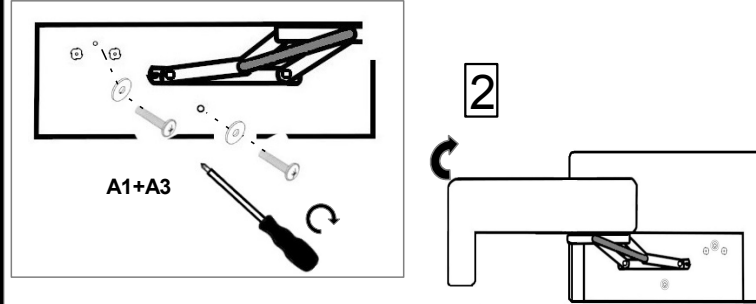
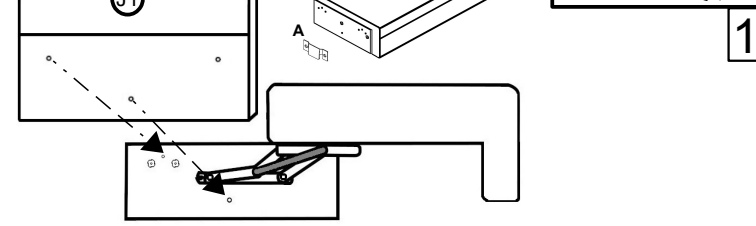
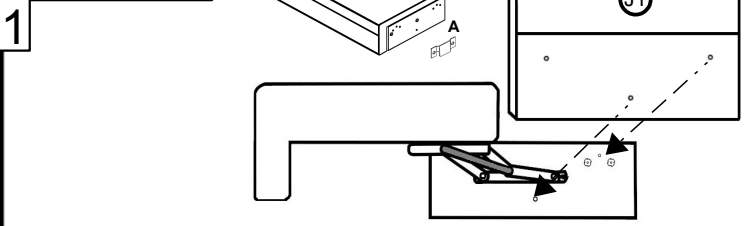
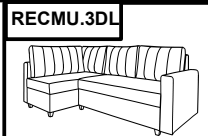
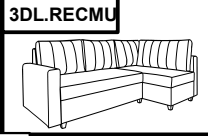
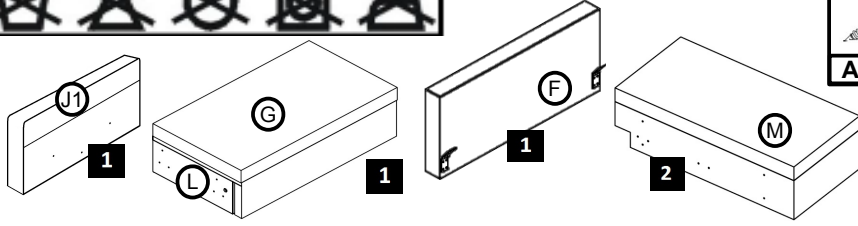


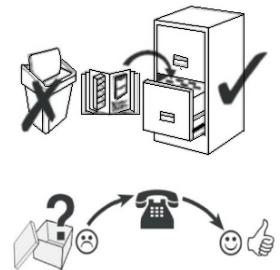


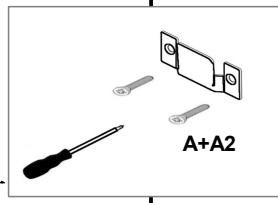
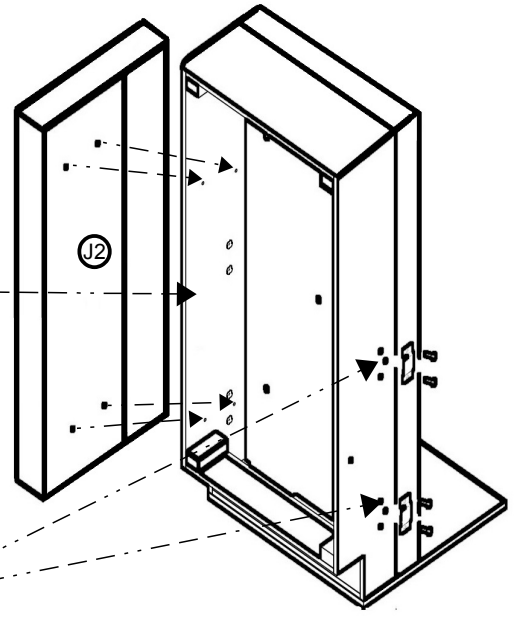
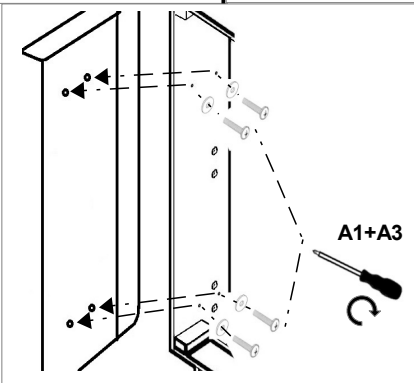
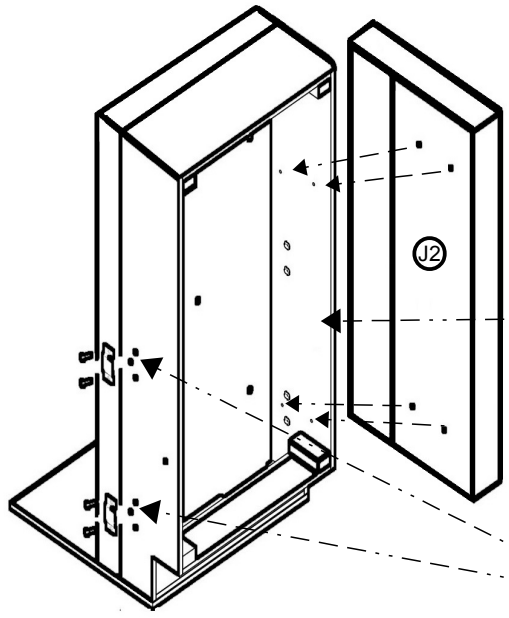
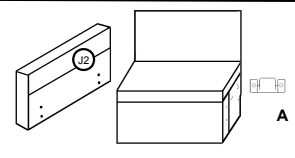
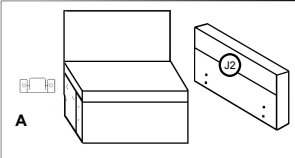
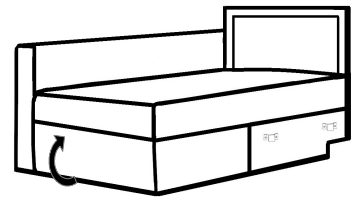
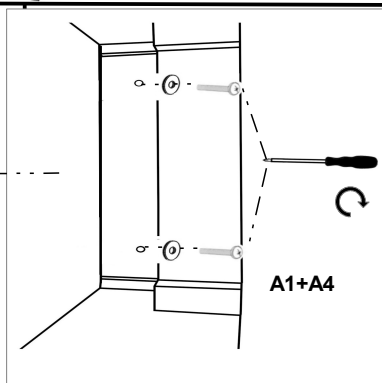
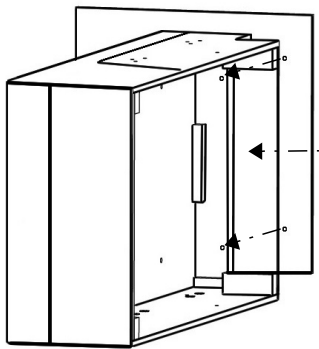
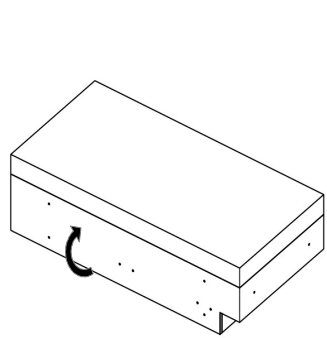
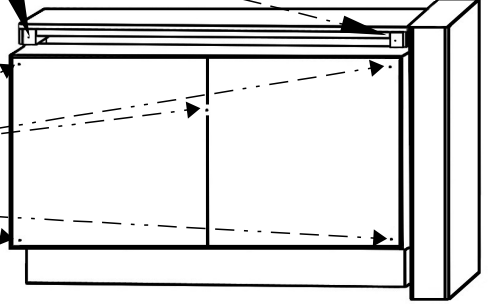
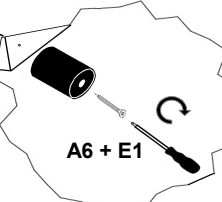
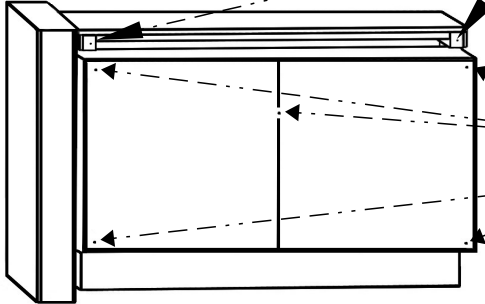
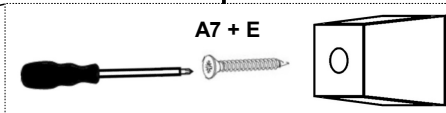
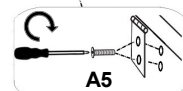
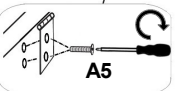
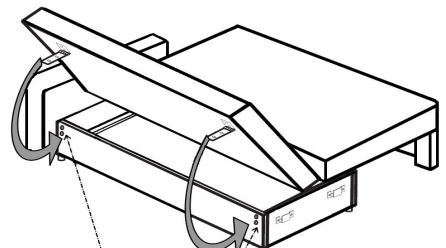
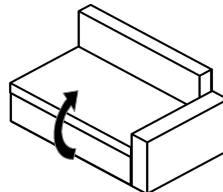
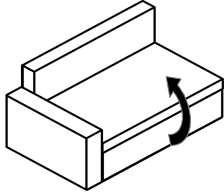
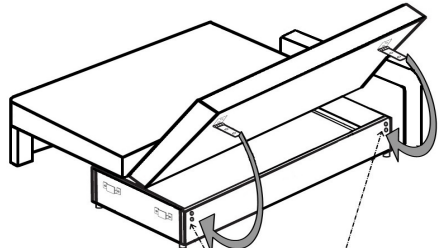
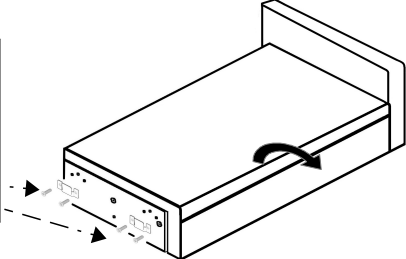
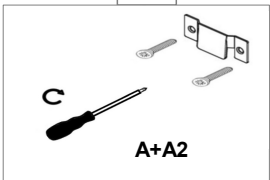
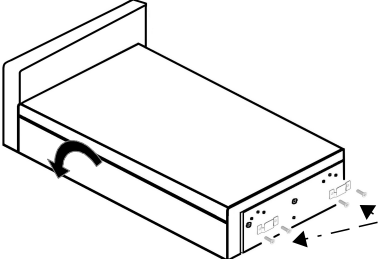
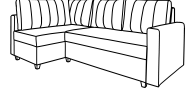
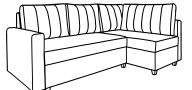
# TULON LUX 3DL.RECMU/RECMU.3DL

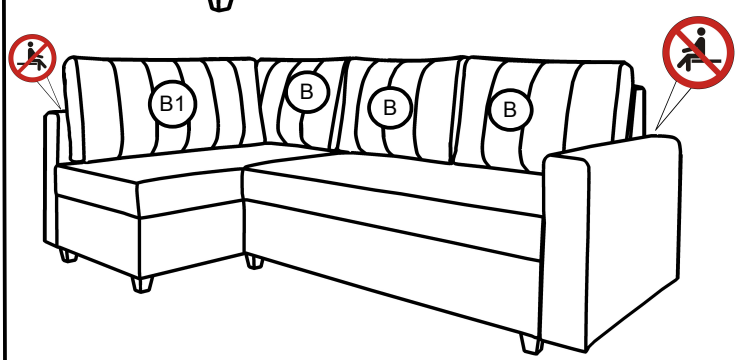
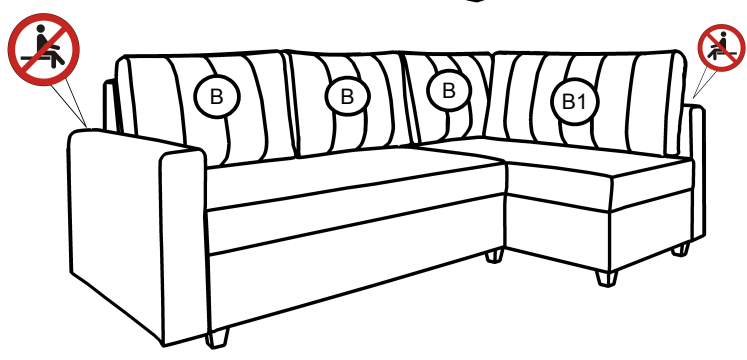
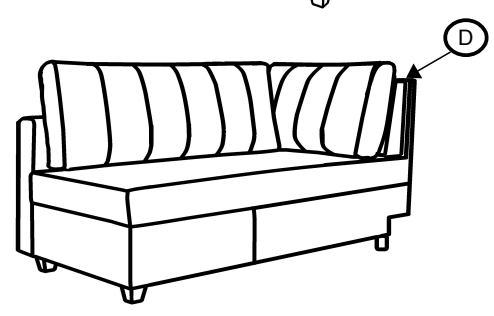
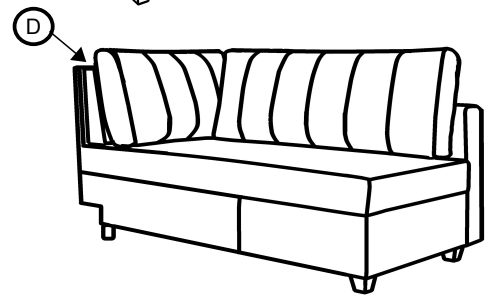
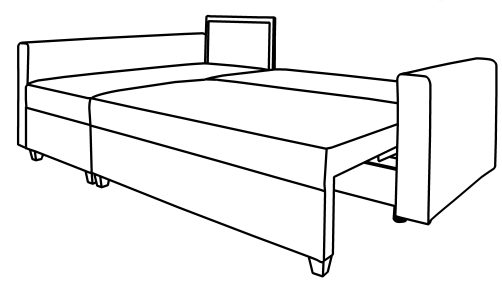
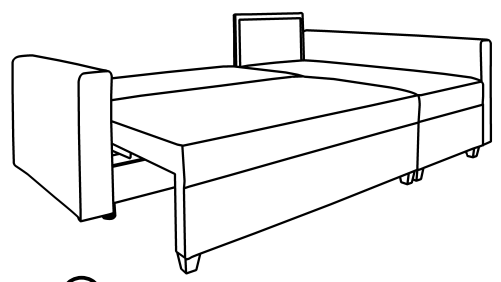
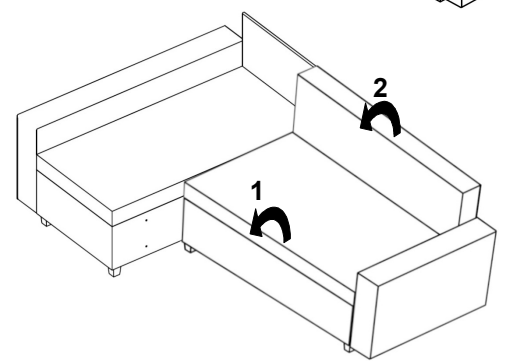
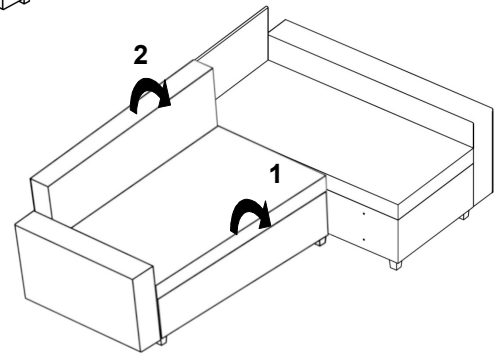
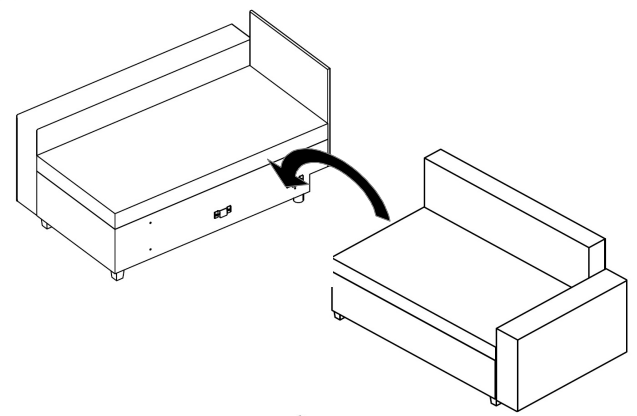
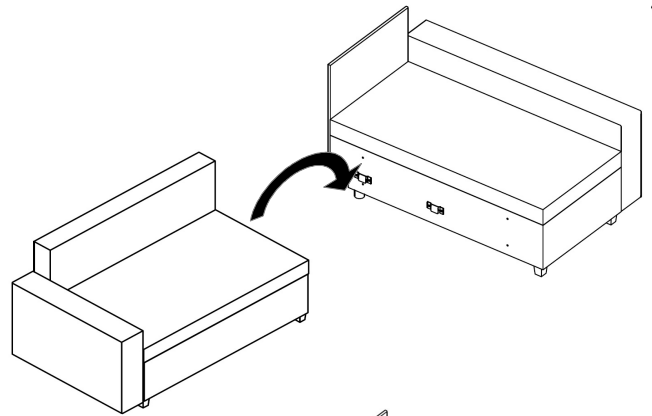
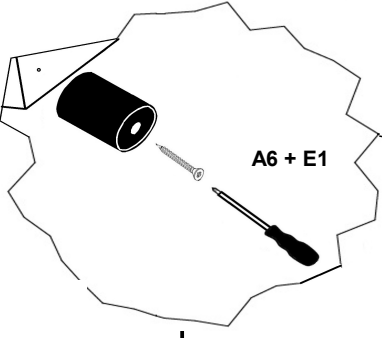
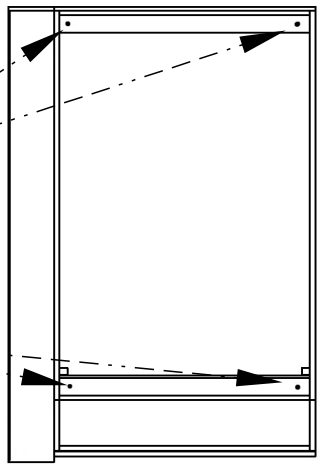
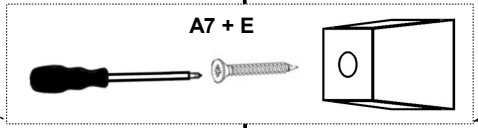
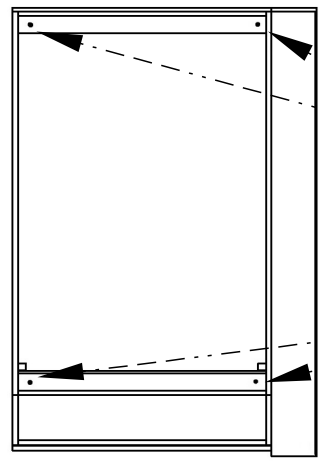
	M8x23	WS M6x20	WP M6x50	WP M6x35	WP M6x40
<b>A</b> x 4	<b>A1</b> x 9	<b>A2</b> x 8	<b>A3</b> x 7	<b>A4</b> x 2	<b>A5</b> x 4
US 5x30	US 5x50				
<b>A6</b> x 7	<b>A7</b> x 4	<b>B</b> x 3	<b>B1</b> x 1	<b>D</b> x 1	
<b>F1</b> x 2	<b>J2</b> x 2	<b>E</b> x 4	<b>E1</b> x 7		



<b>A</b>	<b>A7</b>	<b>F1</b>
<b>A1</b>	<b>B</b>	<b>G</b>
<b>A2</b>	<b>B1</b>	<b>J1</b>
<b>A3</b>	<b>D</b>	<b>J2</b>
<b>A4</b>	<b>E</b>	<b>L</b>
<b>A5</b>	<b>E1</b>	<b>M</b>
<b>A6</b>	<b>F</b>	

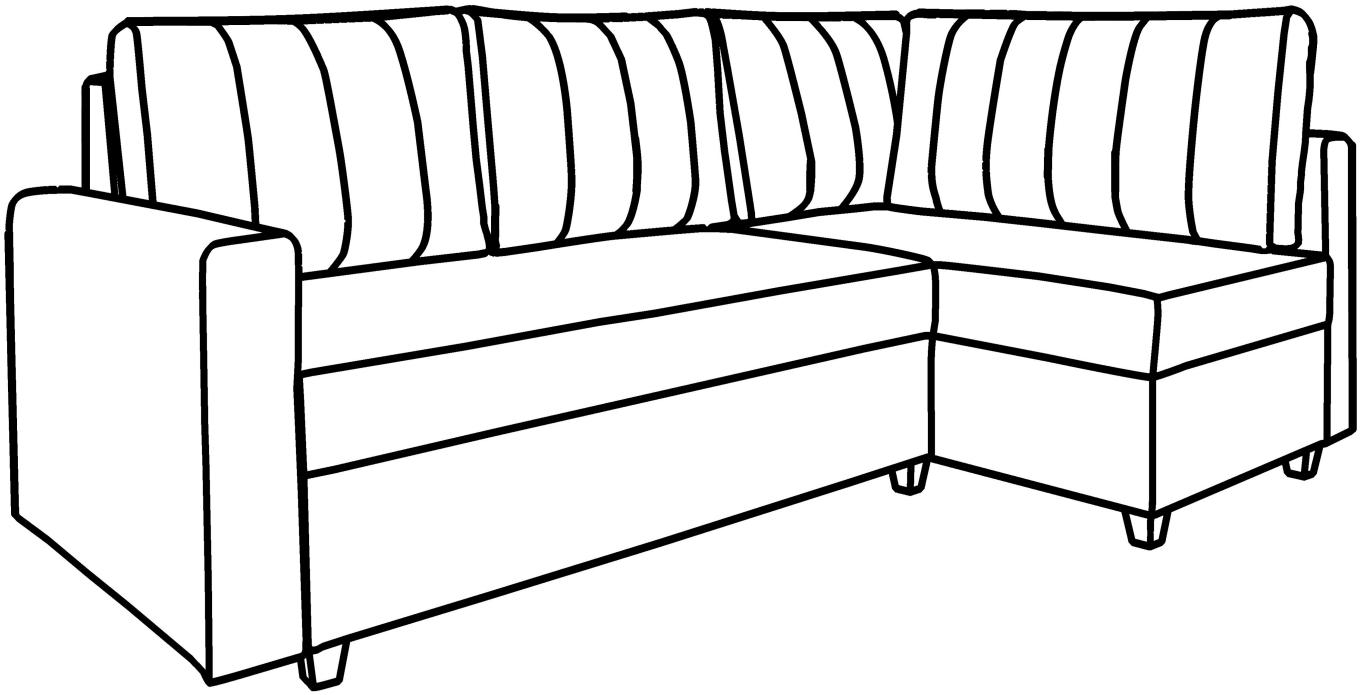






3DL.RECMU

4/4



RECMU.3DL

